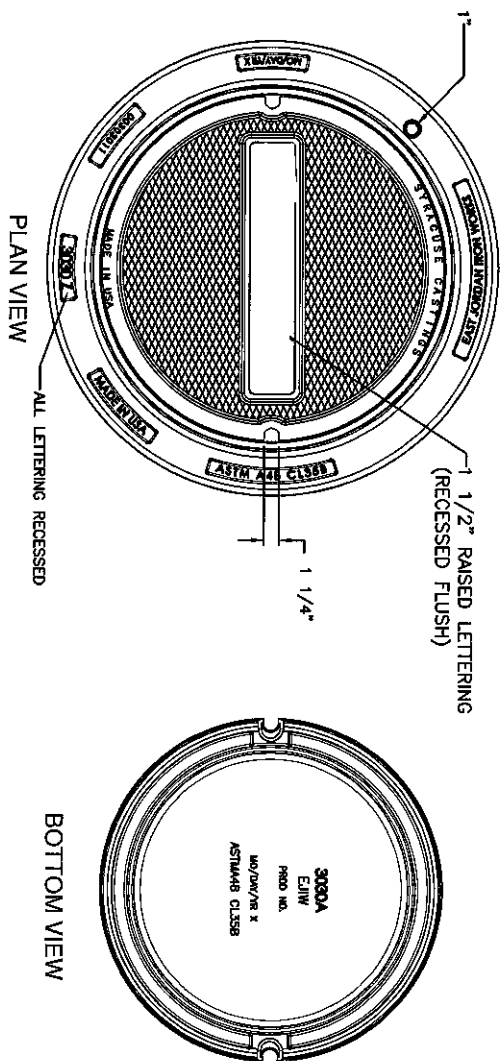


ASSEMBLY

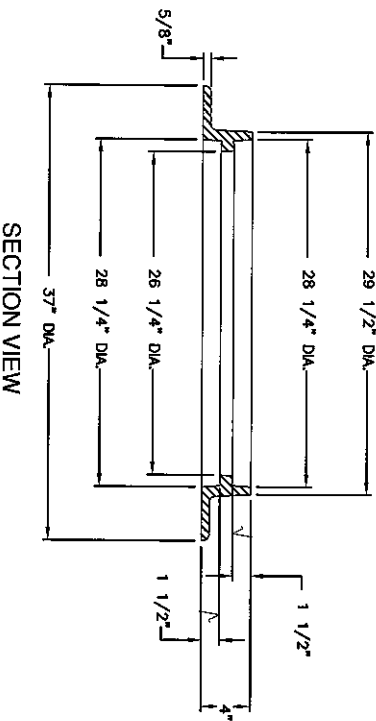


- DESIGN FEATURES**
- ↑ 1 1/2" RAISED LETTERING (RECESSED FLUSH)
 - ↑ ALL LETTERING RECESSED
 - ↑ DESIGNATES MACHINED SURFACE
- MATERIALS**
- COVER-GRAY IRON ASTM A48 CL35B
 - FRAME-GRAY IRON ASTM A48 CL35B
- DESIGN LOAD**
- HEAVY DUTY
- COATING**
- UNDIPPED
- OPEN AREA**
- N/A

00303011

Components:

- 00303023 "Traffic Signal"
- 00303024 "Electric"
- 00303027 "Telephone"



PICKHOLE DETAIL

Lakelands Product #9597

Call Today for
More Information

800.626.4653

EJ IW EAST JORDAN
IRON WORKS EST. 1883
WE COVER YOUR INFRASTRUCTURE™

www.ejiw.com
MADE IN THE USA

DRAWING DETAILS

ORIGINAL DRAWING: TCL 01/03/05

REVISED BY: JJD 07/06/10

*Weights (lbs./kg), dimensions (inches/mm), and drawings provided for your guidance.
*We reserve the right to modify specifications without prior notice.
*Uncontrolled distribution.

CONFIDENTIAL: This drawing is the property of East Jordan Iron Works, Inc., and embodies confidential information, registered marks, trade secret information, and/or know how that is the property of East Jordan Iron Works, Inc. ©Copyright 2009 East Jordan Iron Works, Inc.

Corporate
Headquarters
301 Spring Street
PO Box 439
East Jordan, MI
49727-0439
800.874.4100

