



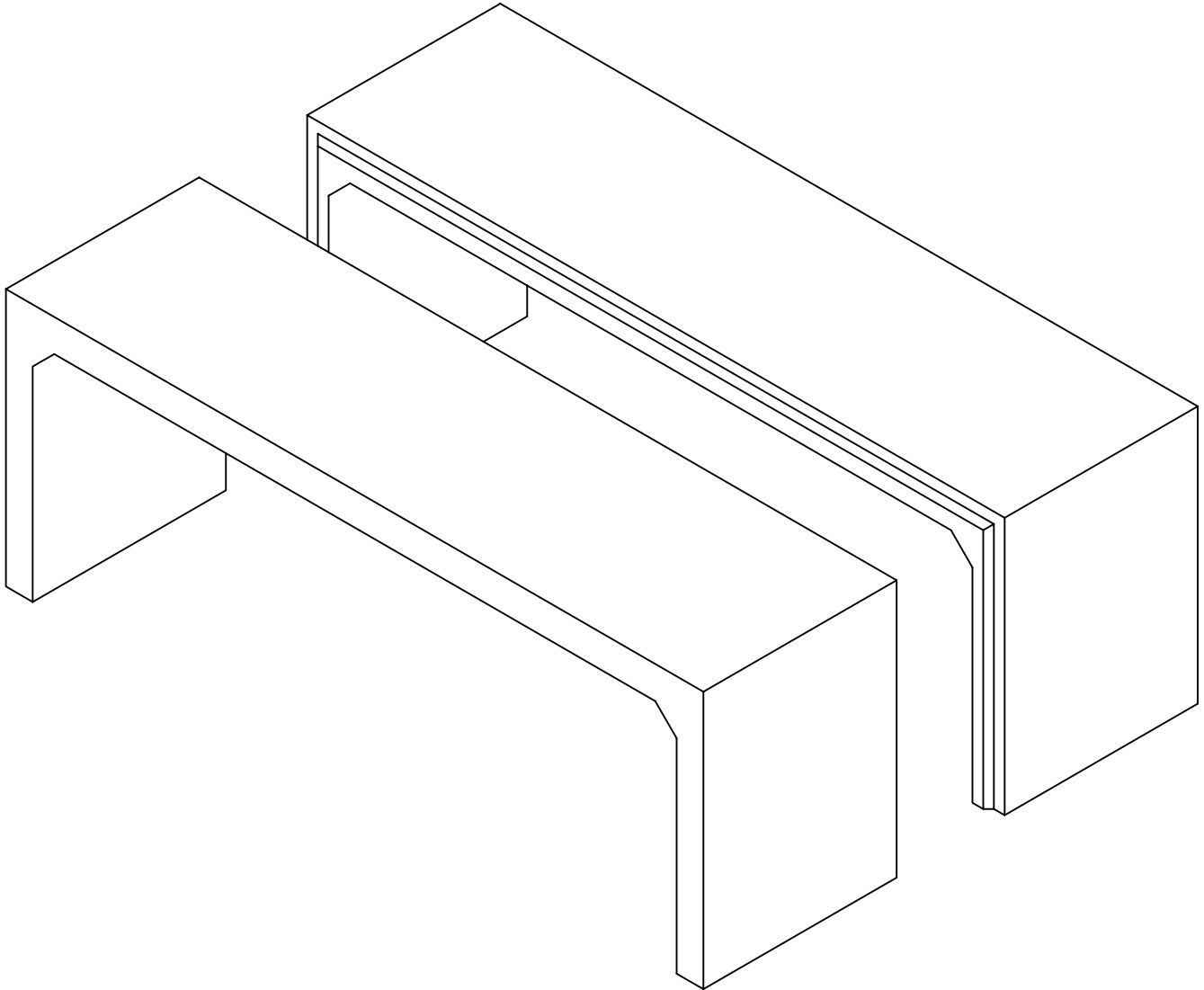
Lakelands Concrete Products, Inc.
7520 East Main St., Lima, NY 14485
Phone: 585-624-1990, Fax: 585-624-2102

Web: www.lakelandsconcrete.com
E-mail: sales@lakelandsconcrete.com

Date: 12/16/10

DWG: BR-SPAN

Precast Concrete
3-Sided Culvert





Lakelands Concrete Products, Inc.
 7520 East Main St., Lima, NY 14485
 Phone: 585-624-1990, Fax: 585-624-2102

Web: www.lakelandsconcrete.com
 E-mail: sales@lakelandsconcrete.com

Date: 12/16/10

DWG: BR-SPAN

Precast Concrete
 3-Sided Culvert

Specifications:

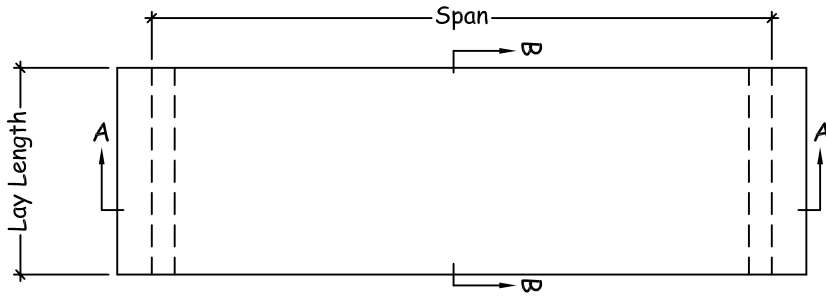
Design Criteria: 5000 Psi @28 Days

Entrained Air: 5% - 9%

Design Loading: AASHTO HS20, HS25

Reinforcement: BAR-ASTM A615 GR60

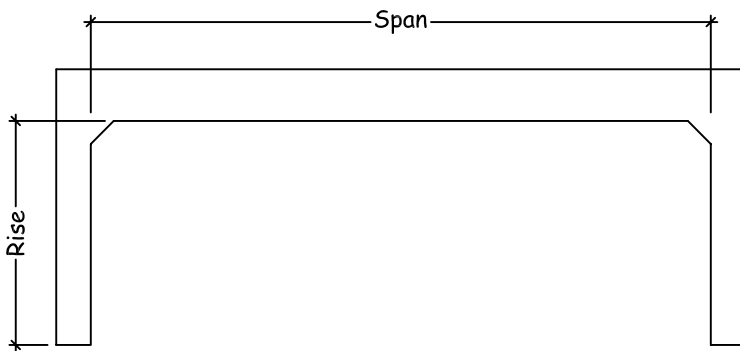
WWR-ASTM A185/A497 GR65



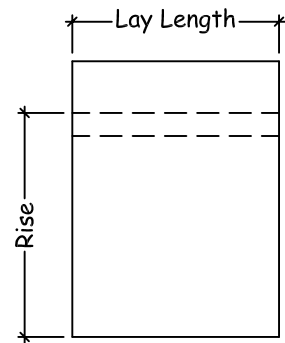
PLAN VIEW

Notes:

- *Tapered And Skewed End Sections Available
- *Maximum Lay Length Per Section = 7' -6"
- *Ship Lap Joints



SECTION VIEW 'A'



SECTION VIEW 'B'

Weights:
 60,000 LBS Max.
 Per Section