



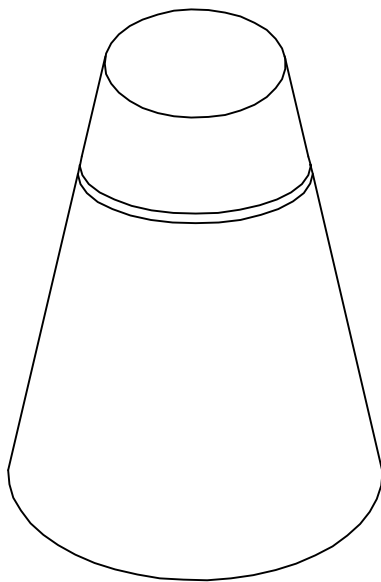
Lakelands Concrete Products, Inc.  
7520 East Main St., Lima, NY 14485  
Phone: 585-624-1990, Fax: 585-624-2102

Web: [www.lakelandsconcrete.com](http://www.lakelandsconcrete.com)  
E-mail: [sales@lakelandsconcrete.com](mailto:sales@lakelandsconcrete.com)

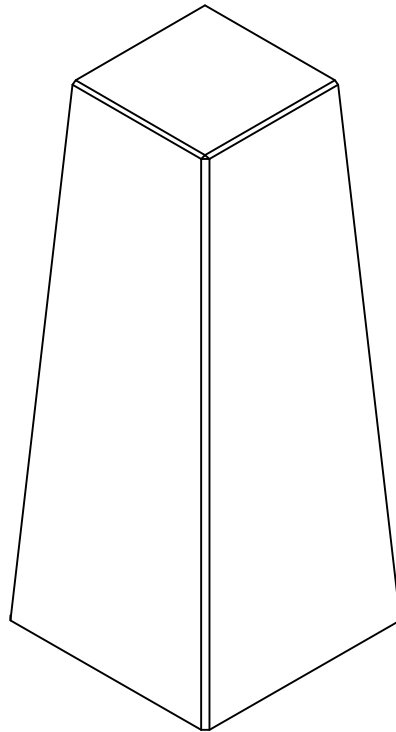
Date: 9/9/11

DWG: Bollards

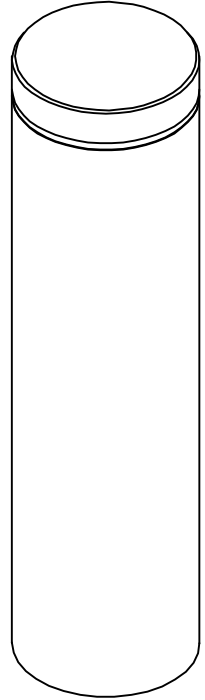
## Bollards



Round Tapered Bollard



Squared Tapered Bollard



Round Bollard

See Next Page  
For Details



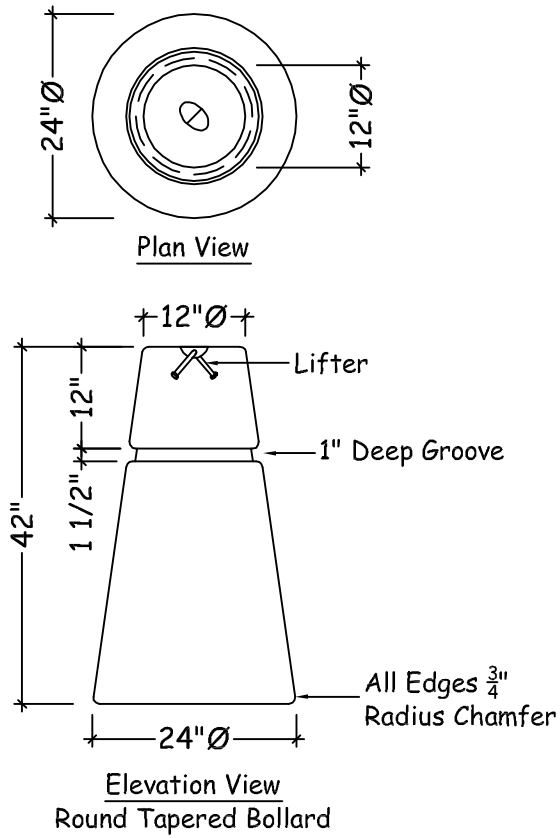
Lakelands Concrete Products, Inc.  
 7520 East Main St., Lima, NY 14485  
 Phone: 585-624-1990, Fax: 585-624-2102

Web: www.lakelandsconcrete.com  
 E-mail: sales@lakelandsconcrete.com

Date: 9/9/11

DWG: Bollards

## Bollards



**Specifications:**  
 Design Criteria: 5000 Psi @28 Days  
 Entrained Air: 5% - 9%  
 Reinforcement: BAR-ASTM A615 GR60  
 WWR-ASTM A185/A497  
 GR65

**Notes:**  
 \*Anchor Bolts Can Be Added.  
 Supplied By Lightpole Manufacturer  
 \*Can Add Conduit, Specified By Contractor  
 \*Steel Reinforcement (If Required)

**\*\*If You Need A Custom Bollard, Please Contact Our Office**

