



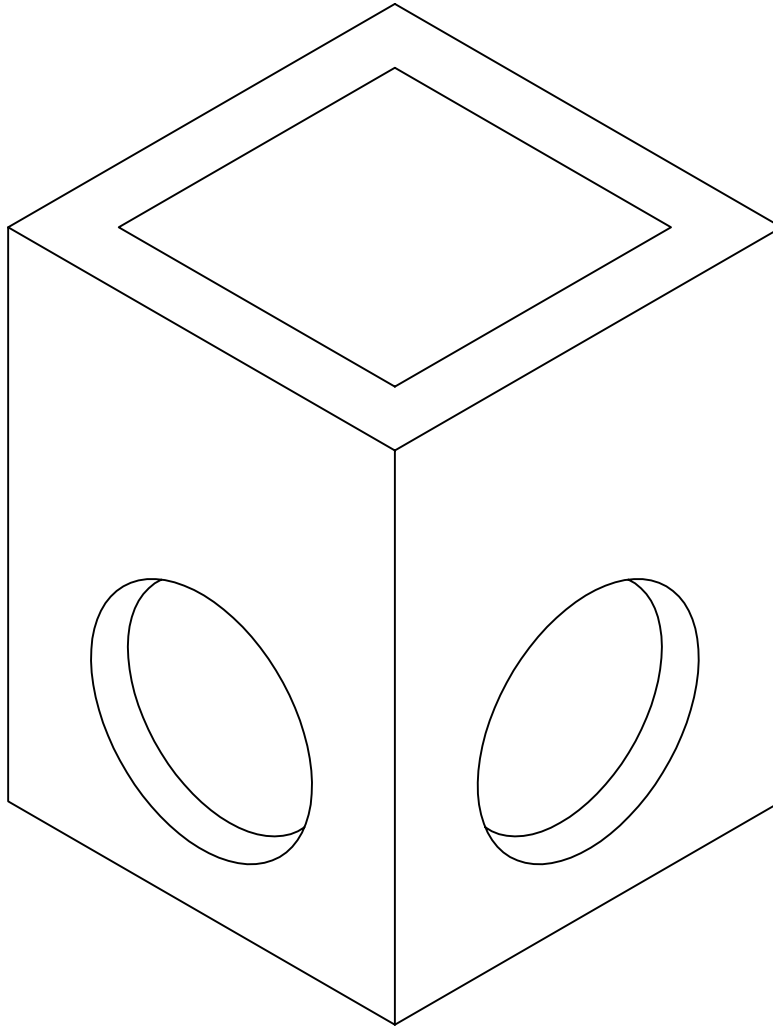
Lakelands Concrete Products, Inc.  
7520 East Main St., Lima, NY 14485  
Phone: 585-624-1990, Fax: 585-624-2102

Web: [www.lakelandsconcrete.com](http://www.lakelandsconcrete.com)  
E-mail: [sales@lakelandsconcrete.com](mailto:sales@lakelandsconcrete.com)

Date: 12/16/10

DWG: CB3030

Catch Basins  
2'-6" x 2'-6" x Varies





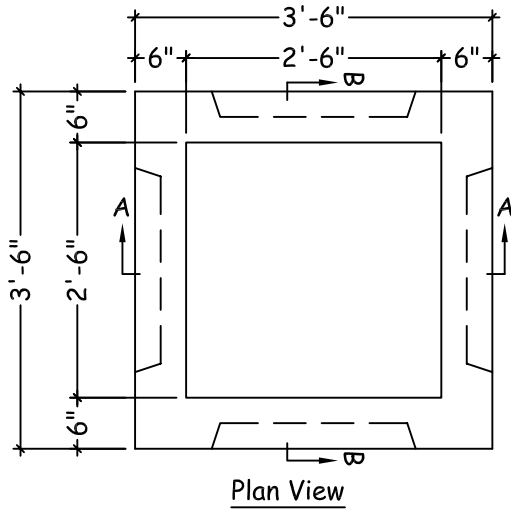
Lakelands Concrete Products, Inc.  
 7520 East Main St., Lima, NY 14485  
 Phone: 585-624-1990, Fax: 585-624-2102

Web: [www.lakelandsconcrete.com](http://www.lakelandsconcrete.com)  
 E-mail: [sales@lakelandsconcrete.com](mailto:sales@lakelandsconcrete.com)

Date: 12/16/10

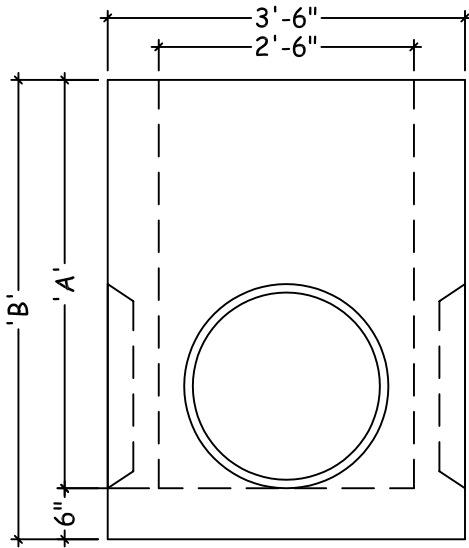
DWG: CB3030

**Catch Basins**  
 2'-6" x 2'-6" x Varies

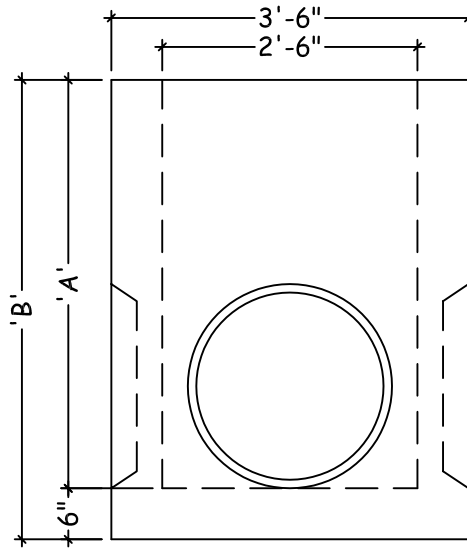


- Specifications:**
- Design Criteria: 5000 Psi @28 Days
  - Entrained Air: 5% - 9%
  - Design Loading: AASHTO HS20-44 With 0'-0" Earth Cover
  - Reinforcement: BAR-ASTM A615 GR60  
 WWR-ASTM A185/A497 GR65

\*Various Size Knockouts Or Openings as Required  
 \*Cast Iron Frame And Grates Available



Elevation View 'A'



Elevation View 'B'

Model No.	A	B	Weight	Model No.	A	B	Weight
CB303030	30"	36"	3340 LBS	CB303054	54"	60"	5170 LBS
CB303036	36"	42"	3770 LBS	CB303060	60"	66"	5590 LBS
CB303042	42"	48"	4240 LBS	CB303066	66"	72"	6040 LBS
CB303048	48"	54"	4690 LBS				