



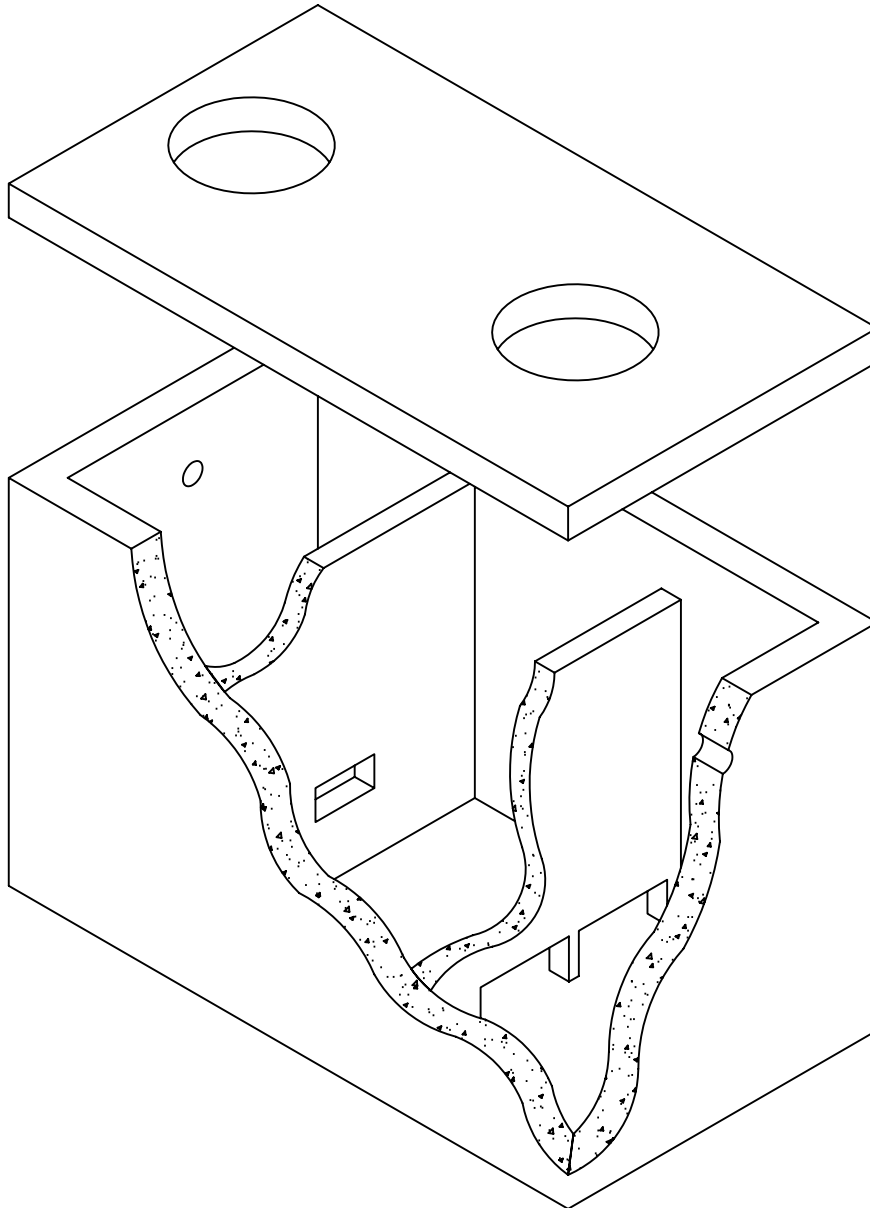
Lakelands Concrete Products, Inc.
7520 East Main St., Lima, NY 14485
Phone: 585-624-1990, Fax: 585-624-2102

Web: www.lakelandsconcrete.com
E-mail: sales@lakelandsconcrete.com

Date: 12/14/10

DWG: GT1050

Grease Trap
1050 Gallons





Lakelands Concrete Products, Inc.
 7520 East Main St., Lima, NY 14485
 Phone: 585-624-1990, Fax: 585-624-2102

Web: www.lakelandsconcrete.com
 E-mail: sales@lakelandsconcrete.com

Date: 12/14/10

DWG: GT1050

**Grease Trap
 1050 Gallons**

GT1050
 GT1050C

*Contractor to Supply and Install

Inlet- Sanitary Tee Extend Down 30"

Outlet- Sanitary Tee or Zabel Filter
 Extend to Within 12" of Floor.

Specifications:

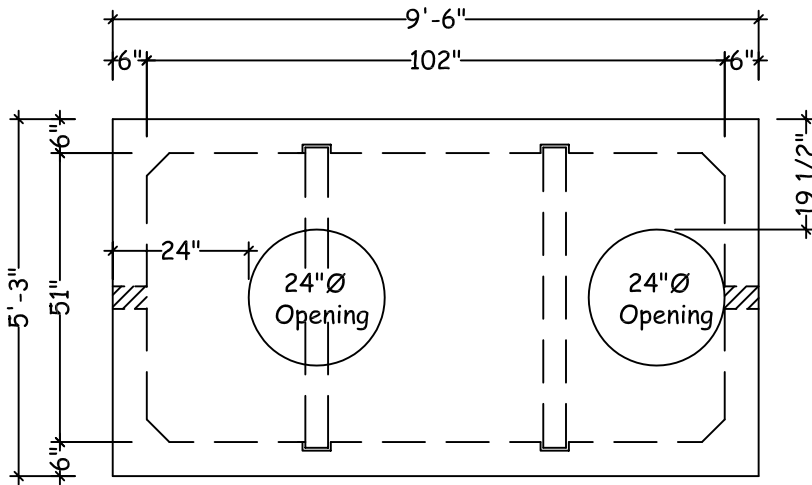
Design Criteria: 5000 Psi @28 Days

Entrained Air: 5% - 9%

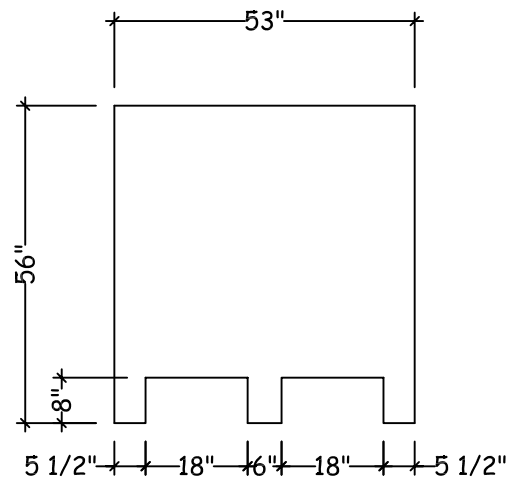
Reinforcement: BAR-ASTM A615 GR60
 WWR-ASTM A185/A497 GR65

Notes:

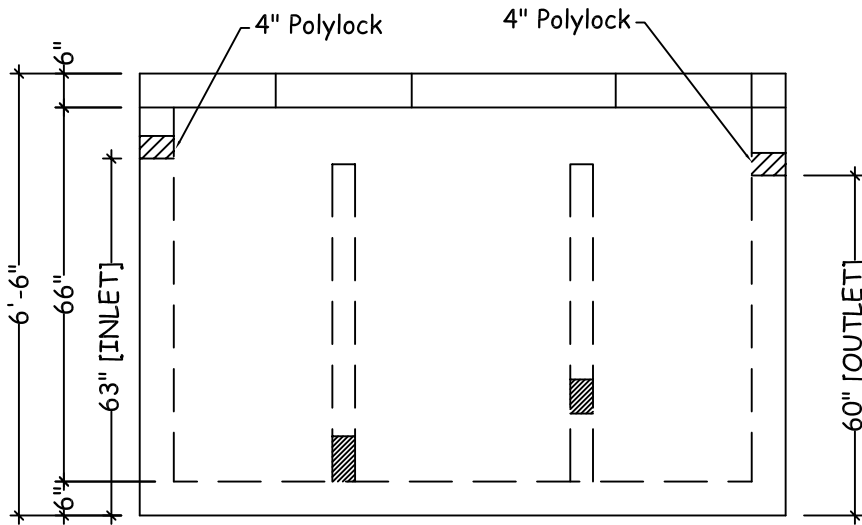
- *Cast Iron Frame And Covers Available
- *Zabel Filter Model A300 Recommended



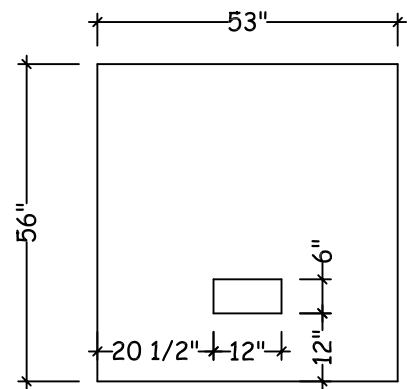
Plan View



Inlet Baffle



Elevation View



Outlet Baffle

Weights:
 Cover: 3740lbs
 Tank: 13989lbs
 Inlet B: 900lbs
 Outlet B: 975lbs