



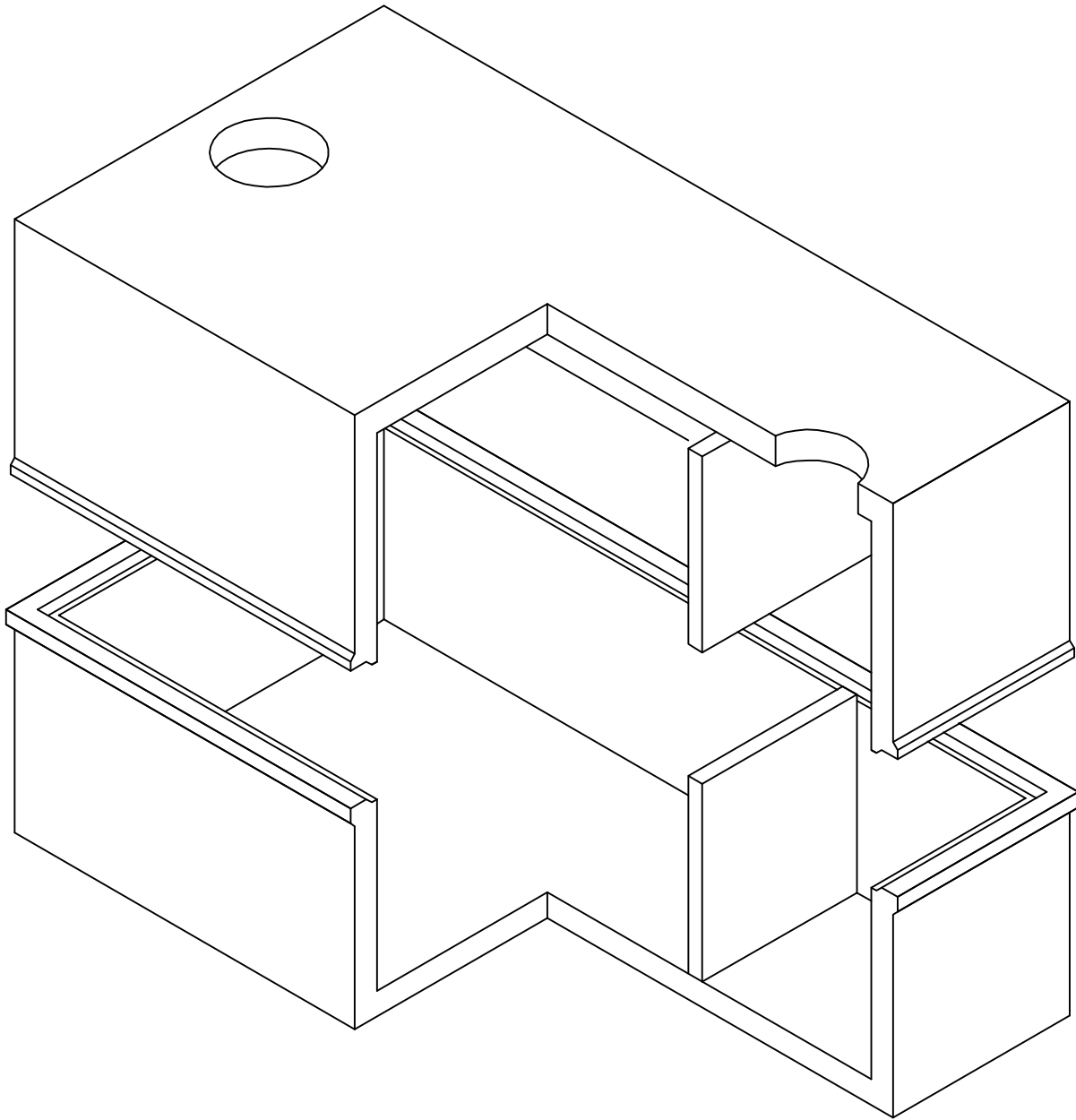
Lakelands Concrete Products, Inc.  
7520 East Main St., Lima, NY 14485  
Phone: 585-624-1990, Fax: 585-624-2102

Web: [www.lakelandsconcrete.com](http://www.lakelandsconcrete.com)  
E-mail: [sales@lakelandsconcrete.com](mailto:sales@lakelandsconcrete.com)

Date: 7/5/11

DWG: GT3200

Grease Trap  
3200 Gallons





Lakelands Concrete Products, Inc.  
 7520 East Main St., Lima, NY 14485  
 Phone: 585-624-1990, Fax: 585-624-2102

Web: www.lakelandsconcrete.com  
 E-mail: sales@lakelandsconcrete.com

Date: 7/5/11

DWG: GT3200

**Grease Trap  
 3200 Gallons**

\*Contractor to Supply and Install

Inlet- Sanitary Tee Extend Down 30"

Outlet- Sanitary Tee or Zabel Filter  
 Extend to Within 12" of Floor.

**Specifications:**

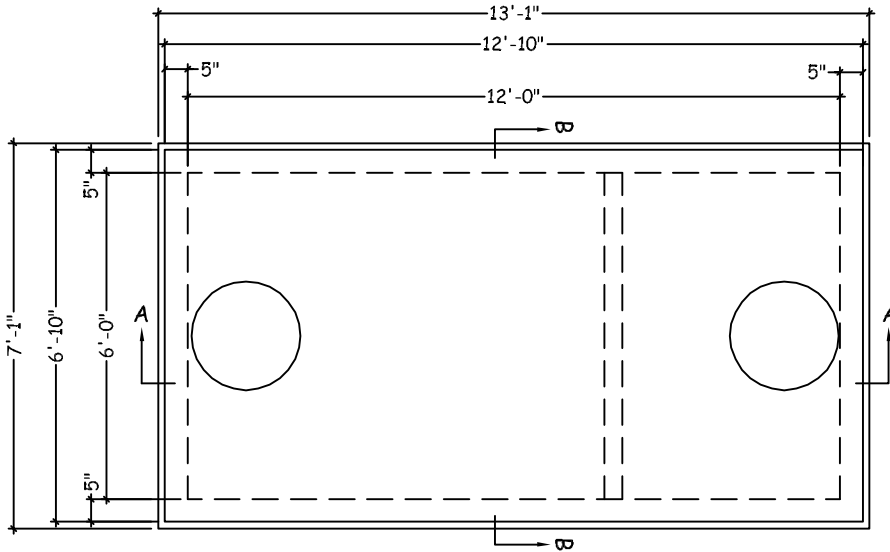
Design Criteria: 5000 Psi @28 Days

Entrained Air: 5% - 9%

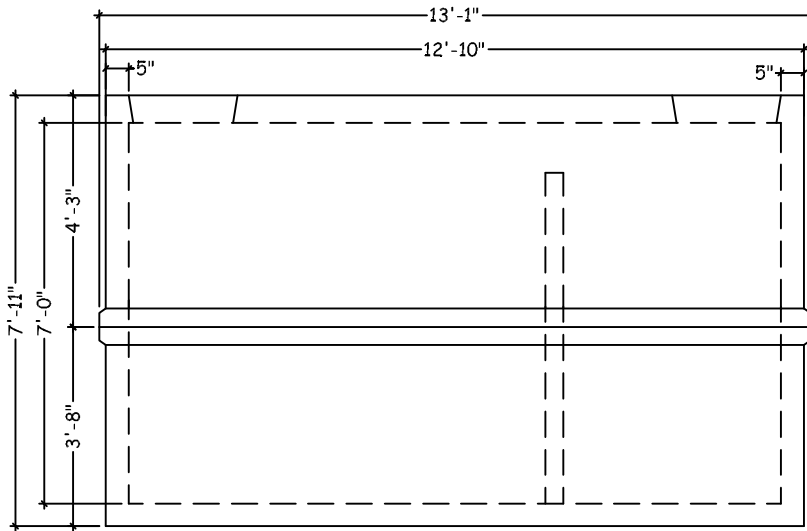
Reinforcement: BAR-ASTM A615 GR60  
 WWR-ASTM A185/A497 GR65

**Notes:**

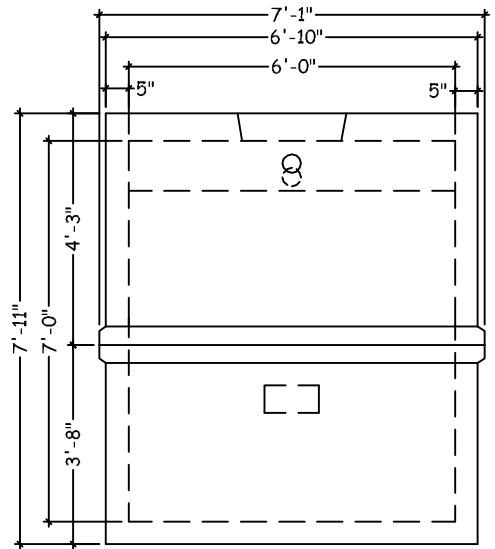
- \*Cast Iron Frame And Covers Available
- \*Zabel Filter Model A300 Recommended
- \*Side Sections Are Adjustable, Vault Can Be Ordered In Various Heights



PLAN VIEW



SECTION VIEW 'A'



SECTION VIEW 'B'

**Weight**  
 Top: 16,800 lbs  
 Bottom: 14,100 lbs