



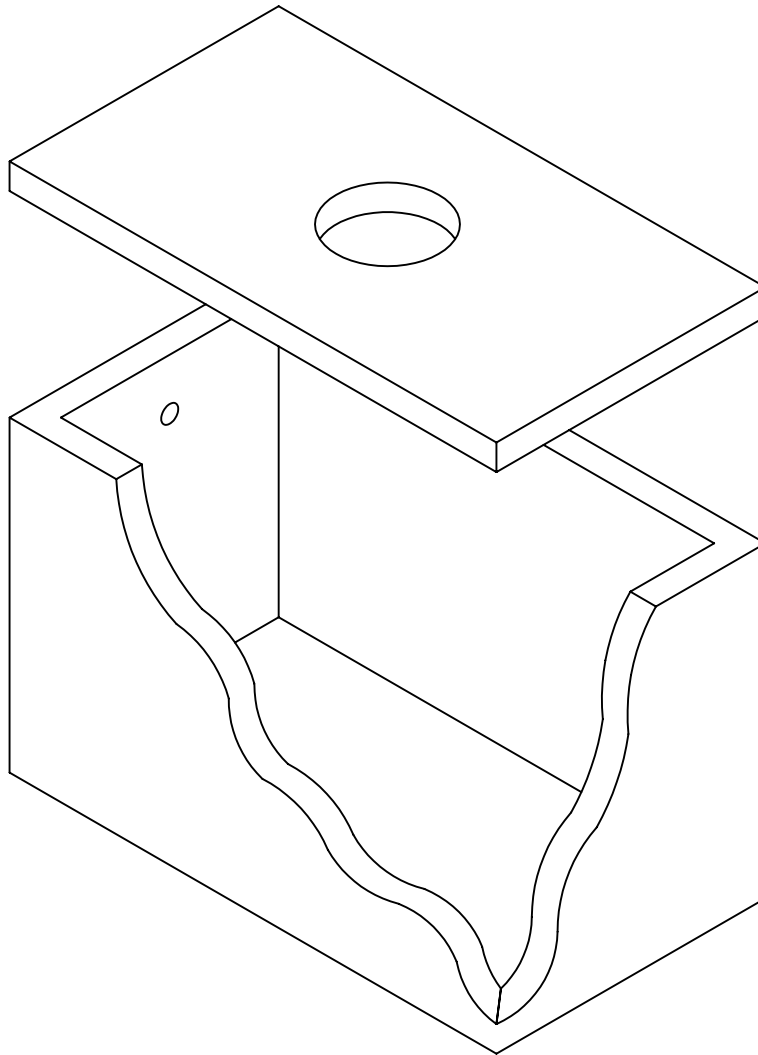
Lakelands Concrete Products, Inc.
7520 East Main St., Lima, NY 14485
Phone: 585-624-1990, Fax: 585-624-2102

Web: www.lakelandsconcrete.com
E-mail: sales@lakelandsconcrete.com

Date: 12/16/10

DWG: HT1200

1,200 Gallon Holding Tank





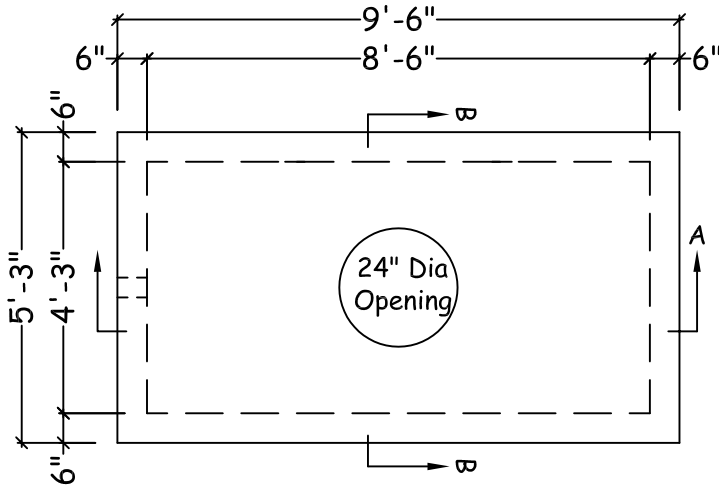
Lakelands Concrete Products, Inc.
 7520 East Main St., Lima, NY 14485
 Phone: 585-624-1990, Fax: 585-624-2102

Web: www.lakelandsconcrete.com
 E-mail: sales@lakelandsconcrete.com

Date: 12/16/10

DWG: HT1200

1,200 Gallon Holding Tank



PLAN VIEW

Specifications:

Design Criteria: 5000 Psi @28 Days

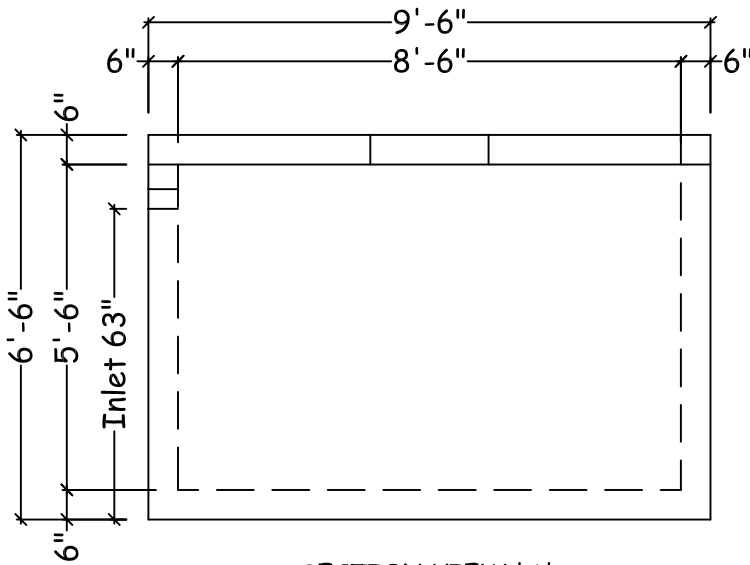
Entrained Air: 5% - 9%

Design Loading: AASHTO HS20-44

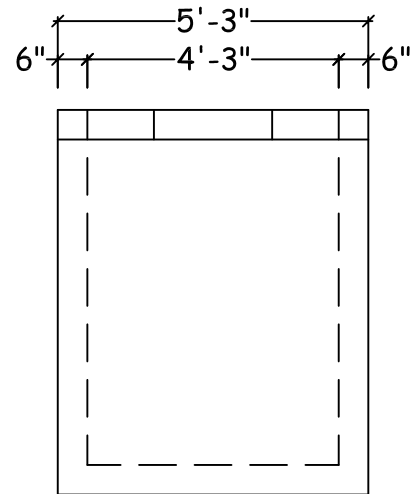
Reinforcement: BAR-ASTM A615 GR60
 WWR-ASTM A185/A497 GR65

Notes:

*Cast Iron Frame And Covers Available



SECTION VIEW 'A'



SECTION VIEW 'B'

Weights:

Tank: 13,989 LBS

Cover: 3740 LBS