



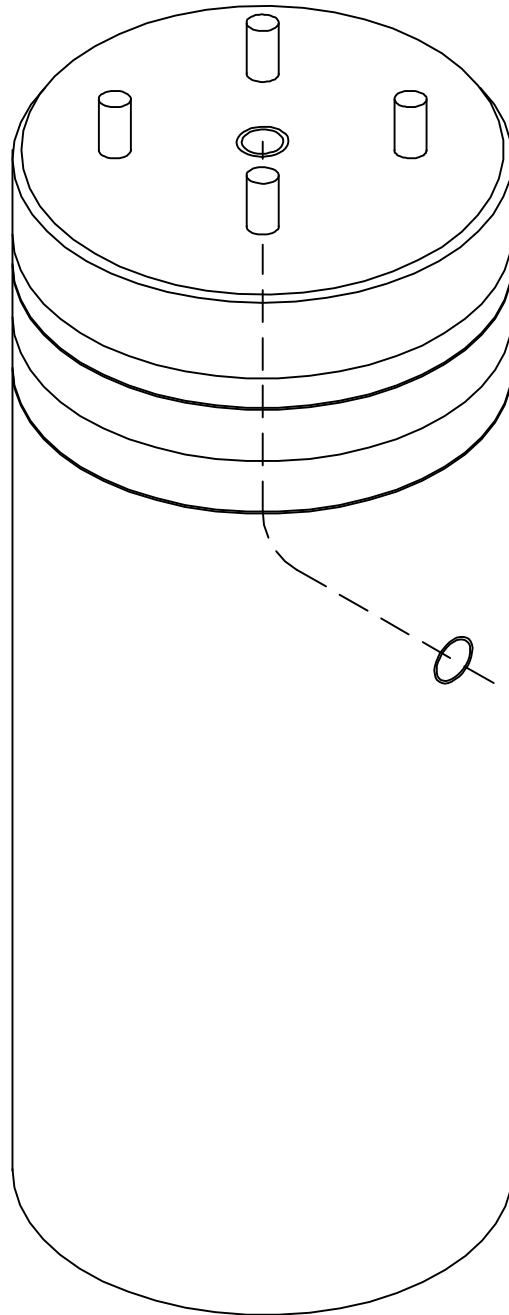
Lakelands Concrete Products, Inc.  
7520 East Main St., Lima, NY 14485  
Phone: 585-624-1990, Fax: 585-624-2102

Web: [www.lakelandsconcrete.com](http://www.lakelandsconcrete.com)  
E-mail: [sales@lakelandsconcrete.com](mailto:sales@lakelandsconcrete.com)

Date: 8/23/11

DWG: LBRDAB

Architectural Lightbase  
W/ Architectural Bands





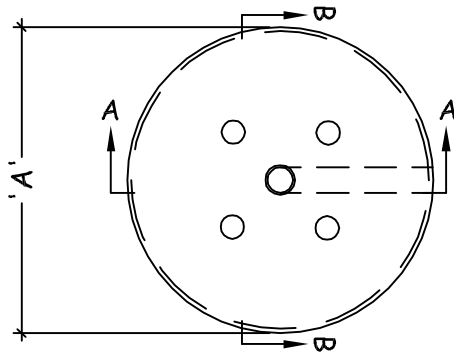
Lakelands Concrete Products, Inc.  
 7520 East Main St., Lima, NY 14485  
 Phone: 585-624-1990, Fax: 585-624-2102

Web: www.lakelandsconcrete.com  
 E-mail: sales@lakelandsconcrete.com

Date: 8/23/11

DWG: LBRDAB

Architectural Lightbase  
 W/ Architectural Bands



PLAN VIEW

Specifications:

Design Criteria: 5000 Psi @28 Days

Entrained Air: 5% - 9%

Reinforcement: BAR-ASTM A615 GR60

WWR-ASTM A185/A497 GR65

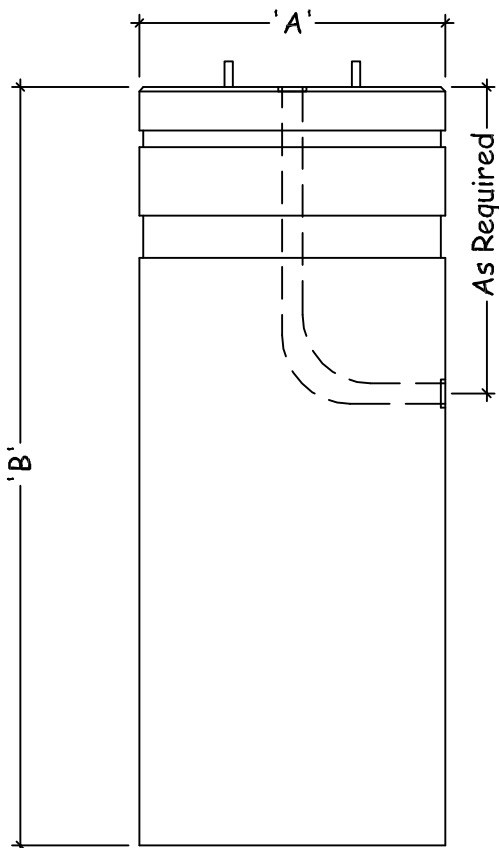
Notes:

\* Anchor Bolts Supplied By Lightpole Manufacturer

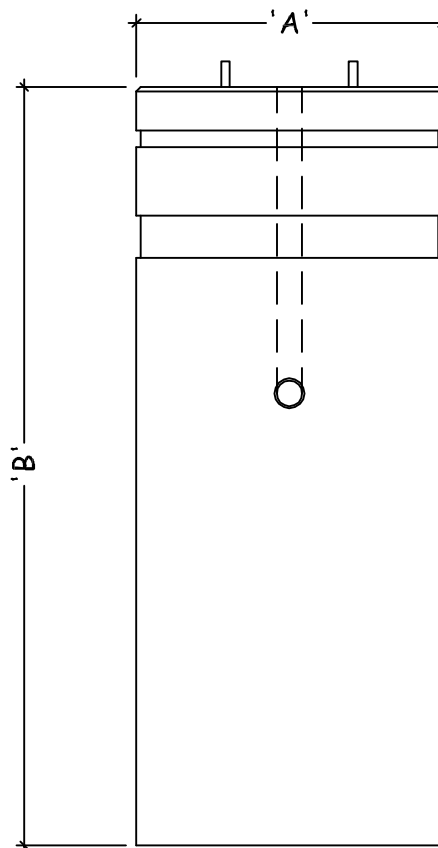
\* Size, Quantity And Type Of Conduit Specified By Contractor

\* Steel Reinforcement As Specified

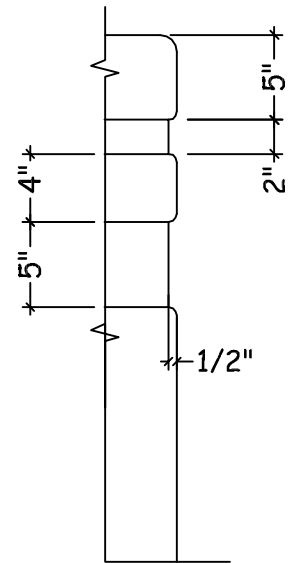
\* Minimum Base Height Is 6'-0"



SECTION VIEW 'A'



SECTION VIEW 'B'



Reveal Detail

Note:

\* Reveal To Have Aluminum Band With Reflective Tape or Stained (Color Chosen By Architect)

\* Reveal Can Have A Form Finish As Well

Model No.	A	B	Model No.	A	B
LB24D72AB	24"	72"	LB24D90AB	24"	90"
LB24D78AB	24"	78"	LB24D96AB	24"	96"
LB24D84AB	24"	84"	LB24D120AB	24"	120"