



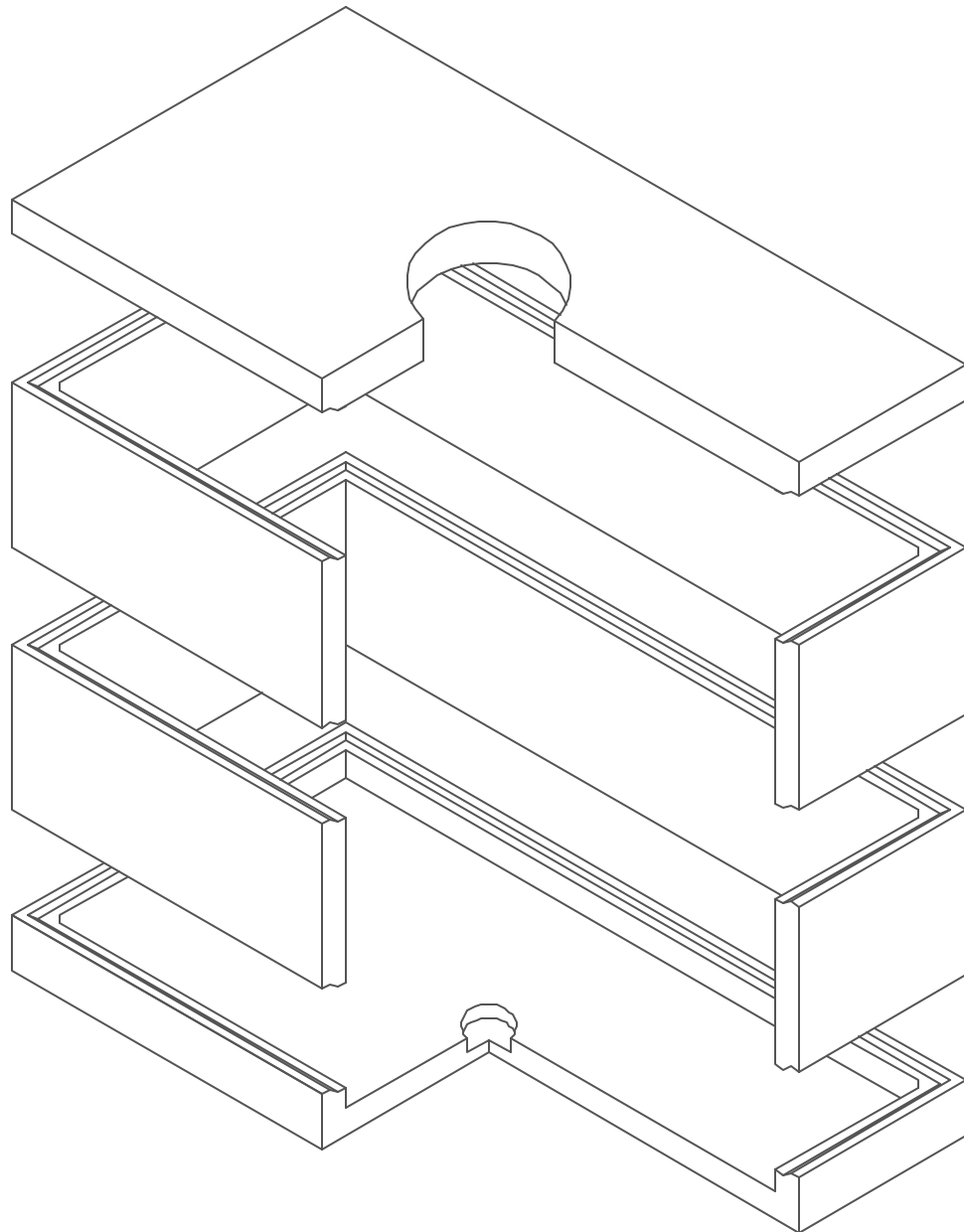
Lakelands Concrete Products, Inc.
7520 East Main St., Lima, NY 14485
Phone: 585-624-1990, Fax: 585-624-2102

Web: www.lakelandsconcrete.com
E-mail: sales@lakelandsconcrete.com

Date: 2/2/01

DWG: MH612

Manhole
6'-0" x 12'-0"





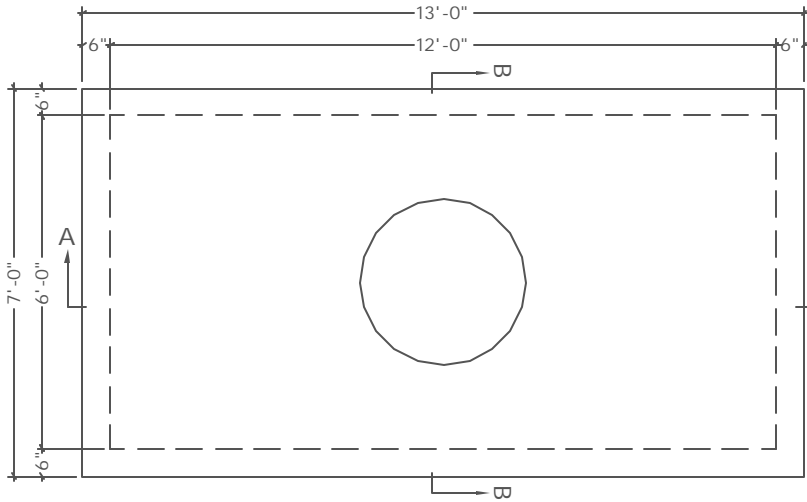
Lakelands Concrete Products, Inc.
 7520 East Main St., Lima, NY 14485
 Phone: 585-624-1990, Fax: 585-624-2102

Web: www.lakelandsconcrete.com
 E-mail: sales@lakelandsconcrete.com

Date: 2/2/01

DWG: MH612

Manhole
 6'-0" x 12'-0"



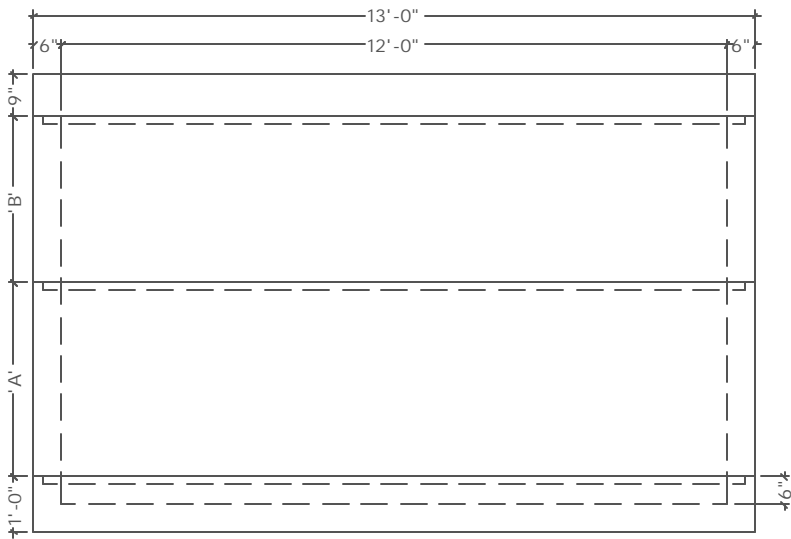
PLAN VIEW

Specifications:

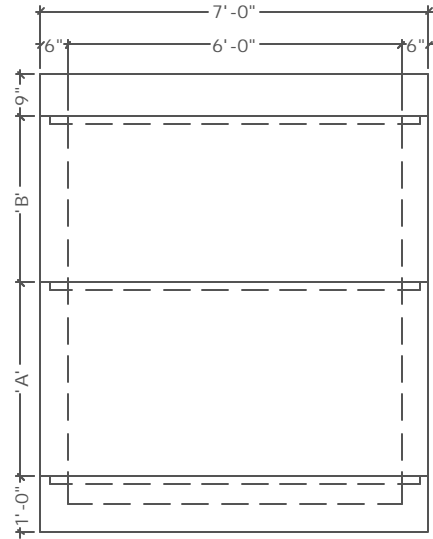
Concrete: 5000psi @ 28 Days
 Entrained Air: 5% - 9%
 Design Load: AASHTO HS20
 Reinforcing: $f_y = 60,000$ psi ASTM A615

Notes:

- *Concrete Cover Available With Various Size Openings
- *Various Size Knockouts Or Openings As Required
- *Cast Iron Frame And Covers Available



SECTION VIEW 'A'



SECTION VIEW 'B'

Model No.	A	B	*Height		Weights	Model No.	Weights
			Inside	Outside			
MH6126	30"	36"	6'-0"	7'-3"	34,425#	Cover	10,500#
MH61266	36"	36"	6'-6"	7'-9"	35,850#	Base	8,250#
MH6127	42"	36"	7'-0"	8'-3"	37,725#	* Additional Heights Available Per Customer Specifications	
MH61276	42"	42"	7'-6"	8'-9"	38,700#		
MH6128	48"	42"	8'-0"	9'-3"	40,125#		