



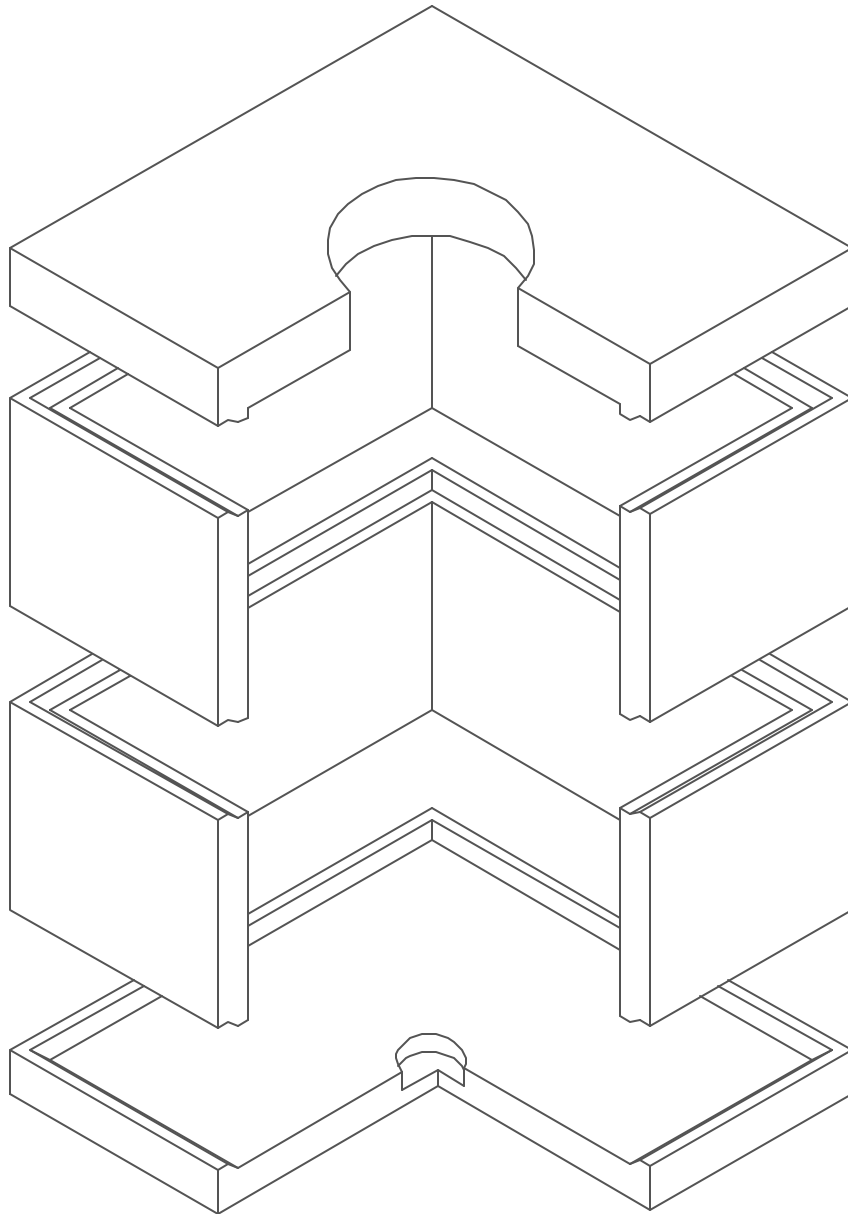
Lakelands Concrete Products, Inc.
7520 East Main St., Lima, NY 14485
Phone: 585-624-1990, Fax: 585-624-2102

Web: www.lakelandsconcrete.com
E-mail: sales@lakelandsconcrete.com

Date: 2/2/01

DWG: MH66

Manhole
6'-0" x 6'-0"





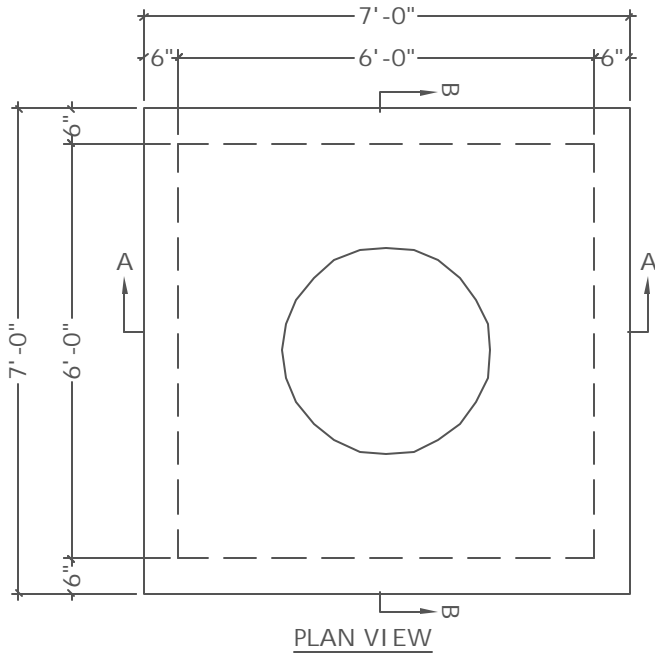
Lakelands Concrete Products, Inc.
 7520 East Main St., Lima, NY 14485
 Phone: 585-624-1990, Fax: 585-624-2102

Web: www.lakelandsconcrete.com
 E-mail: sales@lakelandsconcrete.com

Date: 2/2/01

DWG: MH66

Manhole
 6'-0" x 6'-0"

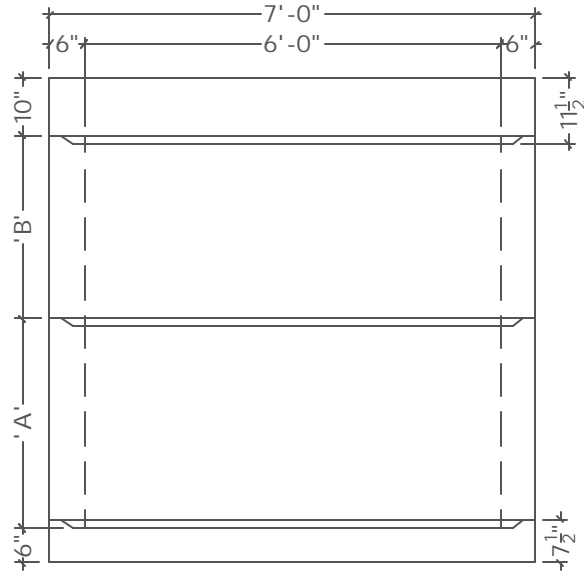
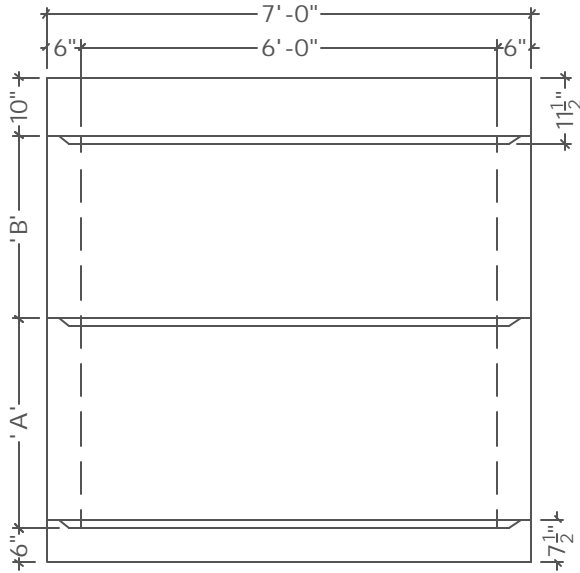


Specifications:

Concrete: 5000psi @ 28 Days
 Entrained Air: 5% - 9%
 Design Load: AASHTO HS20
 Reinforcing: $f_y = 60,000$ psi ASTM A615

Notes:

- *Concrete Cover Available With Various Size Openings
- *Various Size Knockouts Or Openings As Required
- *Cast Iron Frame And Covers Available



Model No.	A	B	*Height		Weights	Model No.	A	B	*Height		Weights
			Inside	Outside					Inside	Outside	
MH663	36"	-	3'-1 1/2"	4'-5 1/2"	15,615#	MH668	48"	48"	8'-1 1/2"	9'-5 1/2"	25,365#
MH664	48"	-	4'-1 1/2"	5'-5 1/2"	17,565#						
MH666	36"	36"	6'-1 1/2"	7'-5 1/2"	21,465#	* Additional Heights Available Per Customer Specifications				Cover	6,090#
MH667	48"	36"	7'-1 1/2"	8'-5 1/2"	23,415#					Base	3,675#