



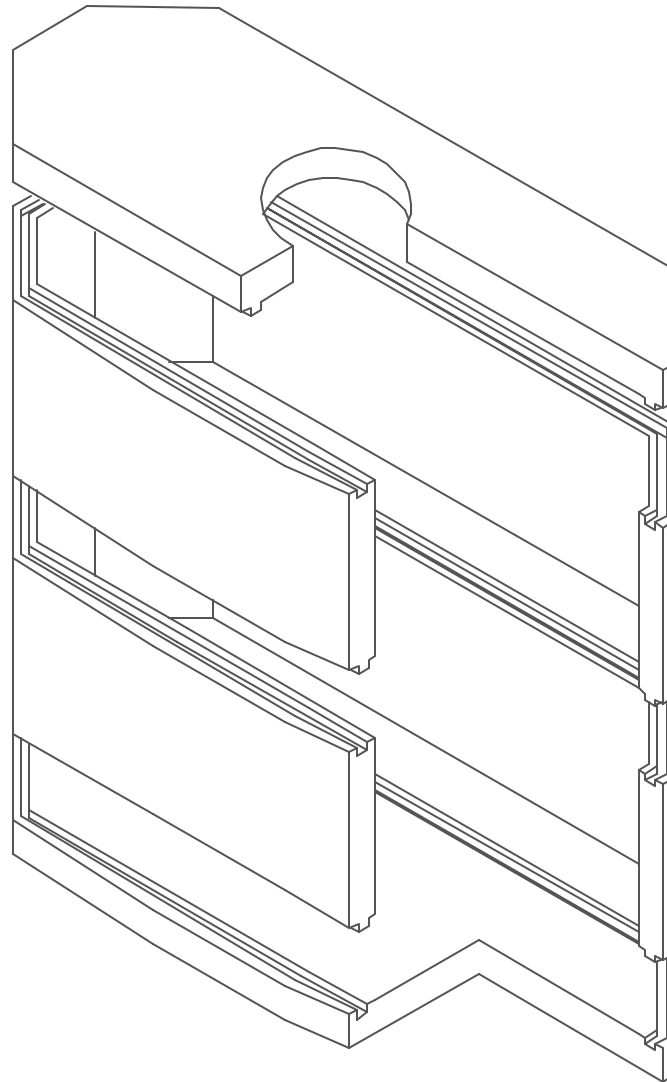
Lakelands Concrete Products, Inc.
7520 East Main St., Lima, NY 14485
Phone: 585-624-1990, Fax: 585-624-2102

Web: www.lakelandsconcrete.com
E-mail: sales@lakelandsconcrete.com

Date: 2/2/01

DWG: MH719

Manhole
7'-0" x 19'-0"





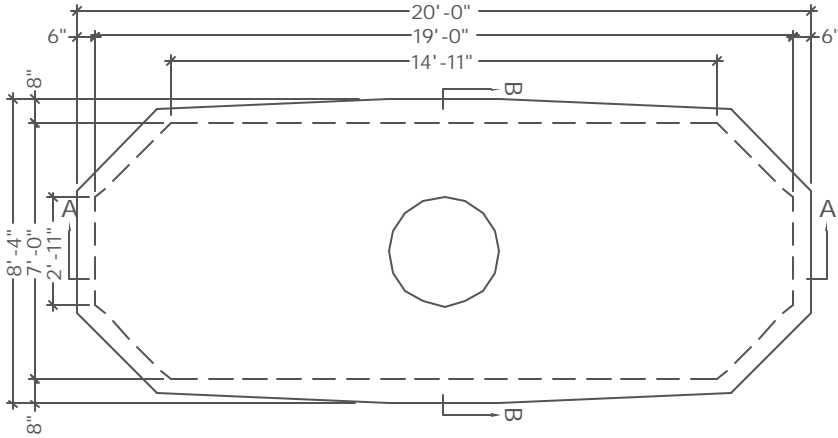
Lakelands Concrete Products, Inc.
 7520 East Main St., Lima, NY 14485
 Phone: 585-624-1990, Fax: 585-624-2102

Web: www.lakelandsconcrete.com
 E-mail: sales@lakelandsconcrete.com

Date: 2/2/01

DWG: MH719

Manhole
 7'-0" x 19'-0"



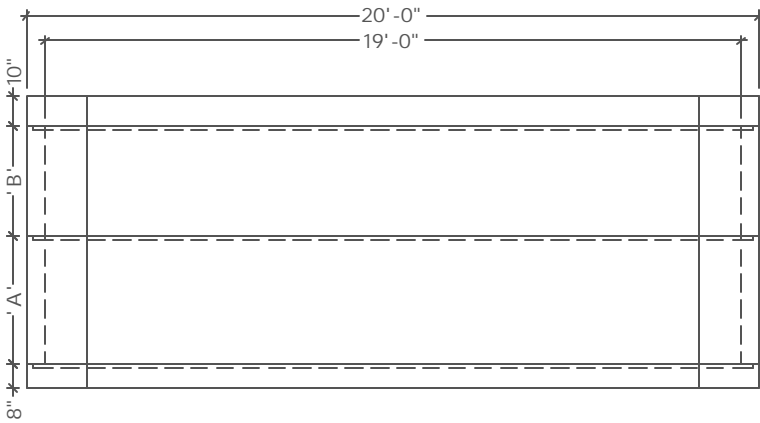
PLAN VIEW

Specifications:

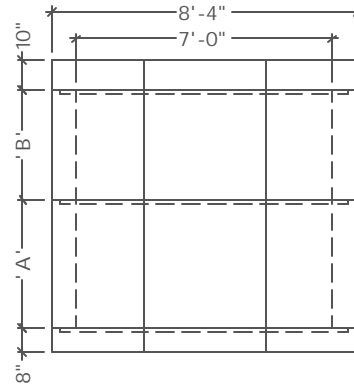
Concrete: 5000psi @ 28 Days
 Entrained Air: 5% - 9%
 Design Load: AASHTO HS20
 Reinforcing: fy= 60,000psi ASTM A615

Notes:

- *Concrete Cover Available With Various Size Openings
- *Various Size Knockouts Or Openings As Required
- *Cast Iron Frame And Covers Available



SECTION VIEW 'A'



SECTION VIEW 'B'

Model No.	A	B	*Height		Weights	Model No.	A	B	*Height		Weights
			Inside	Outside					Inside	Outside	
MH7196	36"	36"	6'-0"	7'-6"	57,750#						
MH71966	39"	39"	6'-6"	8'-0"	59,850#						
MH7197	45"	39"	7'-0"	8'-6"	61,950#	* Additional Heights Available Per Customer Specifications				Cover	17,550#
MH71976	45"	45"	7'-6"	9'-0"	64,050#					Base	14,100#