



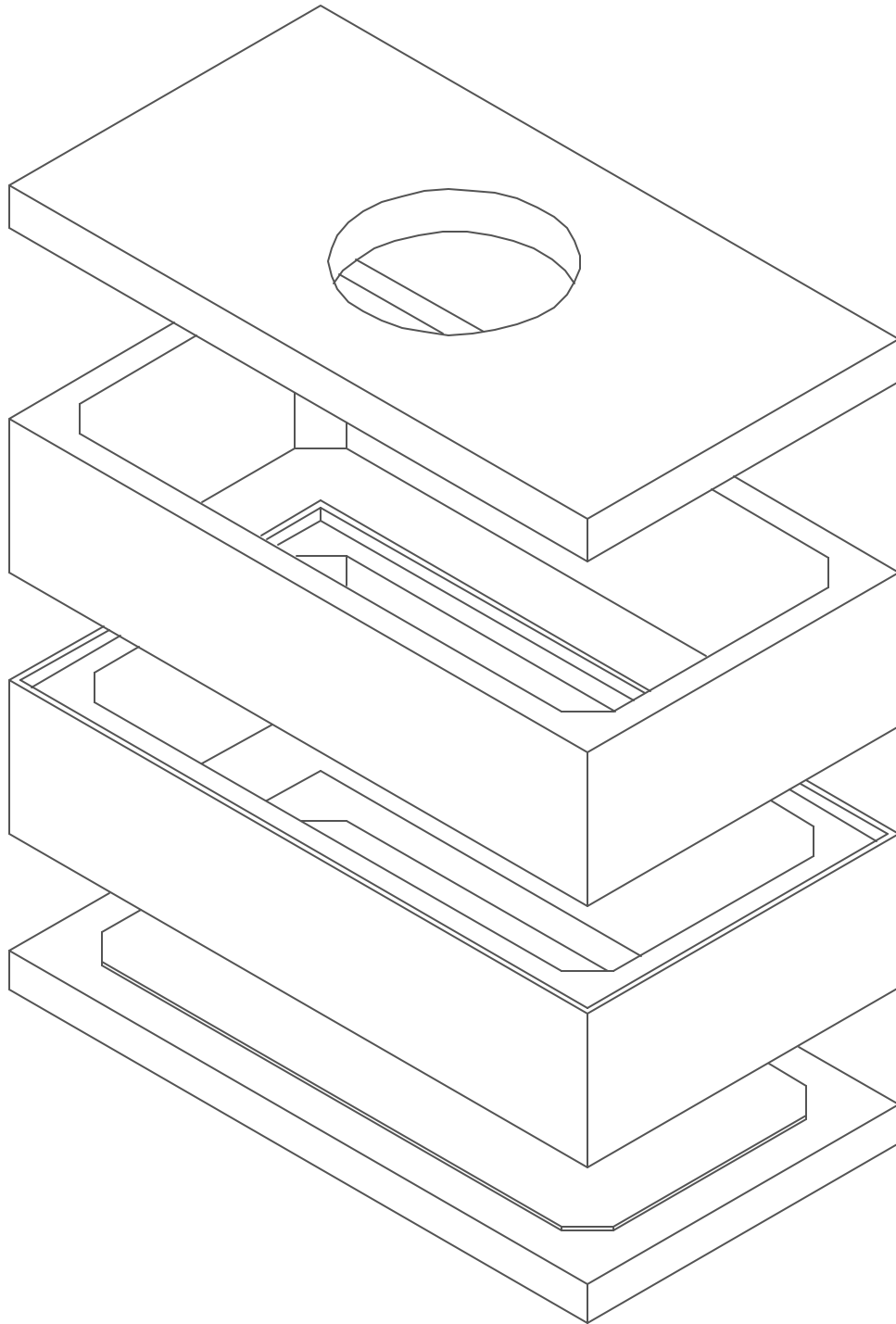
Lakelands Concrete Products, Inc.
7520 East Main St., Lima, NY 14485
Phone: 585-624-1990, Fax: 585-624-2102

Web: www.lakelandsconcrete.com
E-mail: sales@lakelandsconcrete.com

Date: 2/2/01

DWG: MHCustom

Custom Build Manhole





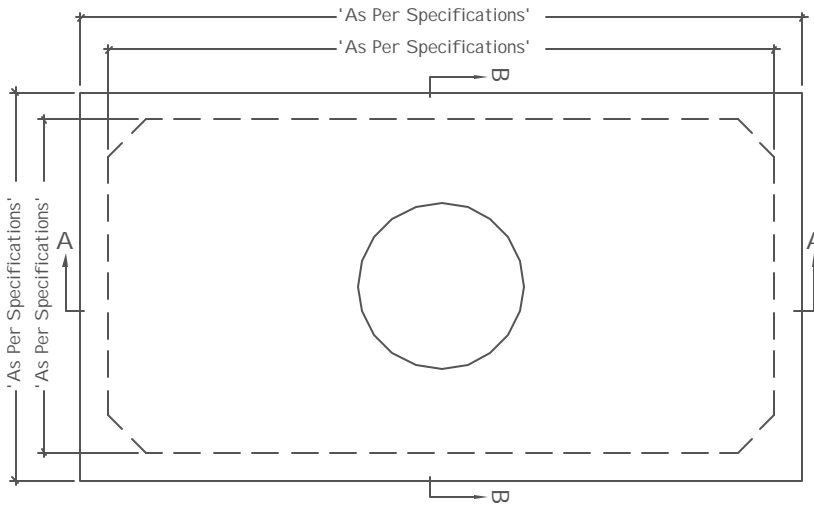
Lakelands Concrete Products, Inc.
7520 East Main St., Lima, NY 14485
Phone: 585-624-1990, Fax: 585-624-2102

Web: www.lakelandsconcrete.com
E-mail: sales@lakelandsconcrete.com

Date: 2/2/01

DWG: MHCcustom

Custom Build Manhole



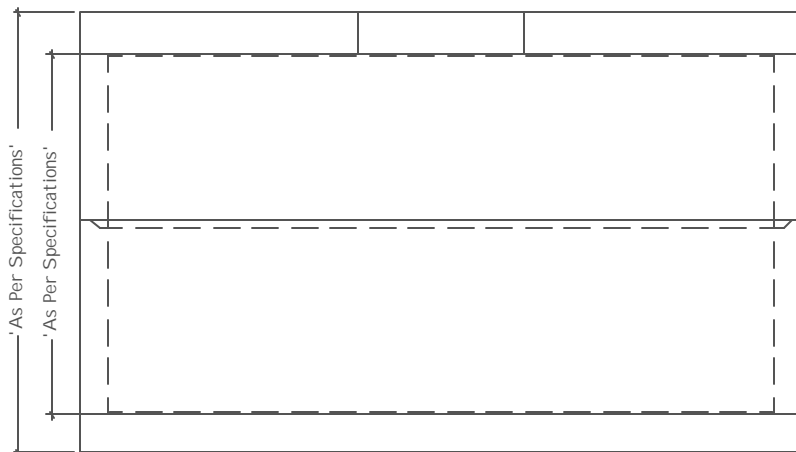
PLAN VIEW

Specifications:

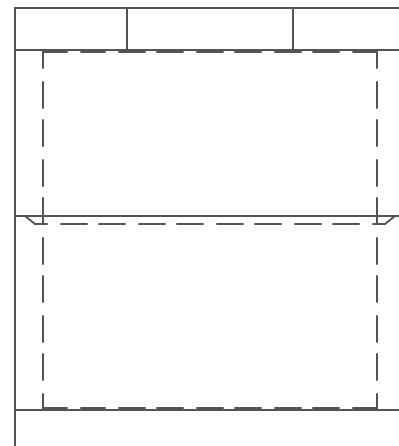
Concrete: 5000psi @ 28 Days
Entrained Air: 5% - 9%
Design Load: AASHTO HS20
Reinforcing: fy= 60,000psi ASTM A615

Notes:

- *Concrete Cover Available With Various Size Openings
- *Various Size Knockouts Or Openings As Required
- *Cast Iron Frame And Covers Available
- * Engineer To Specify Length, Width And Height Of Manhole



SECTION VIEW 'A'



SECTION VIEW 'B'