



Lakelands Concrete Products, Inc.
7520 East Main St., Lima, NY 14485
Phone: 585-624-1990, Fax: 585-624-2102

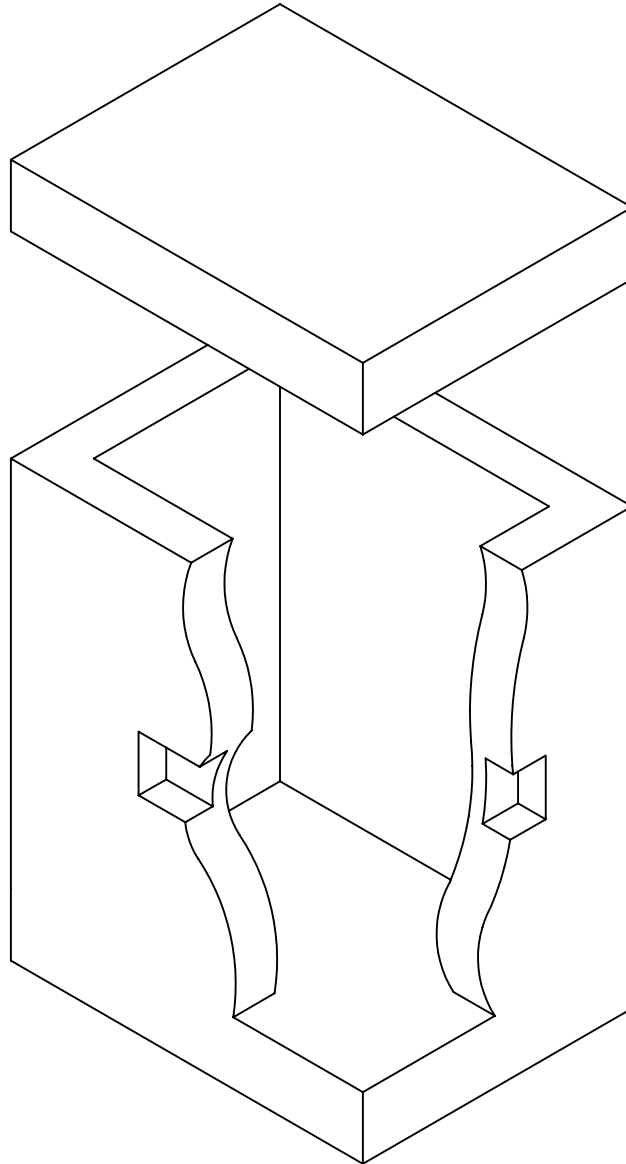
Web: www.lakelandsconcrete.com
E-mail: sales@lakelandsconcrete.com

Date: 8/31/09

DWG: PB182634

Stock Pullbox
18"x26"x34"

PB182634





Lakelands Concrete Products, Inc.
 7520 East Main St., Lima, NY 14485
 Phone: 585-624-1990, Fax: 585-624-2102

Web: www.lakelandsconcrete.com
 E-mail: sales@lakelandsconcrete.com

Date: 8/31/09

DWG: PB182634

Stock Pullbox
 18"x26"x34"

PB182634

Specifications:

Design Criteria: 5000 Psi @28 Days

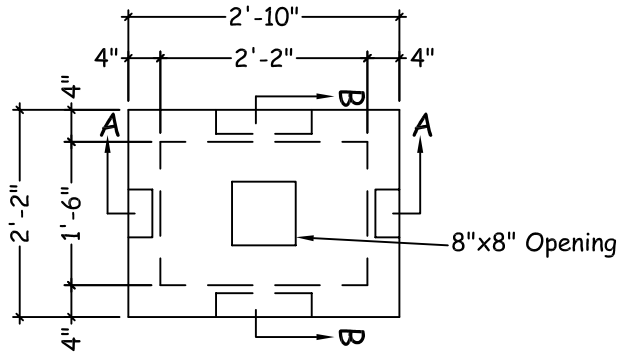
Entrained Air: 5% - 9%

Design Loading: AASHTO HS20-44 With
 Less Than 2'-0" Earth Cover

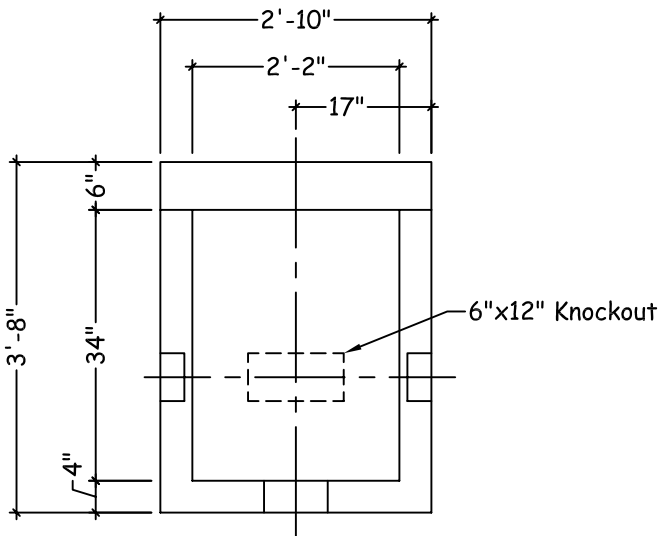
Reinforcement: BAR-ASTM A615 GR60
 WWR-ASTM A185/A497 GR65

Notes:

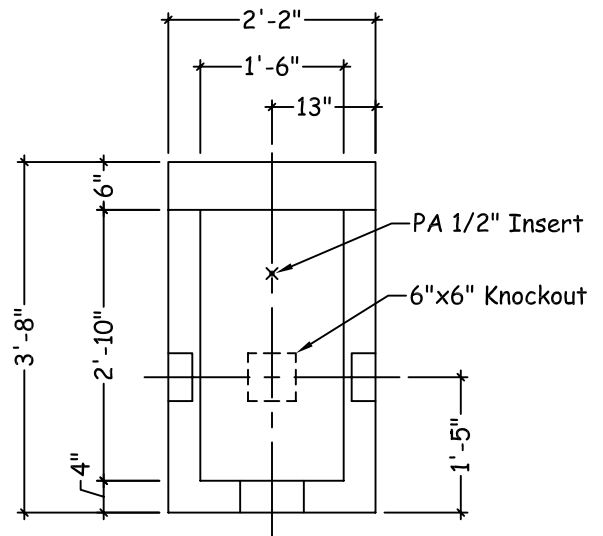
- *Concrete Cover Available With Various Size Openings
- *Various Size Knockouts Or Openings As Required
- *Cast Iron Frame And Covers Available
- *Meets NYSDOT Item #680.510501



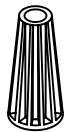
Plan View



Section View 'A'



Section View 'B'



Pennsylvania Inserts

- 1/2" Bolt Diameter
- Stops Corrosion
- 2 1/2" Bolt Embedment Depth
- Work Load Strength Of 1,260lbs

Weights:
 Box: 1460lbs