



Lakelands Concrete Products, Inc.
7520 East Main St., Lima, NY 14485
Phone: 585-624-1990, Fax: 585-624-2102

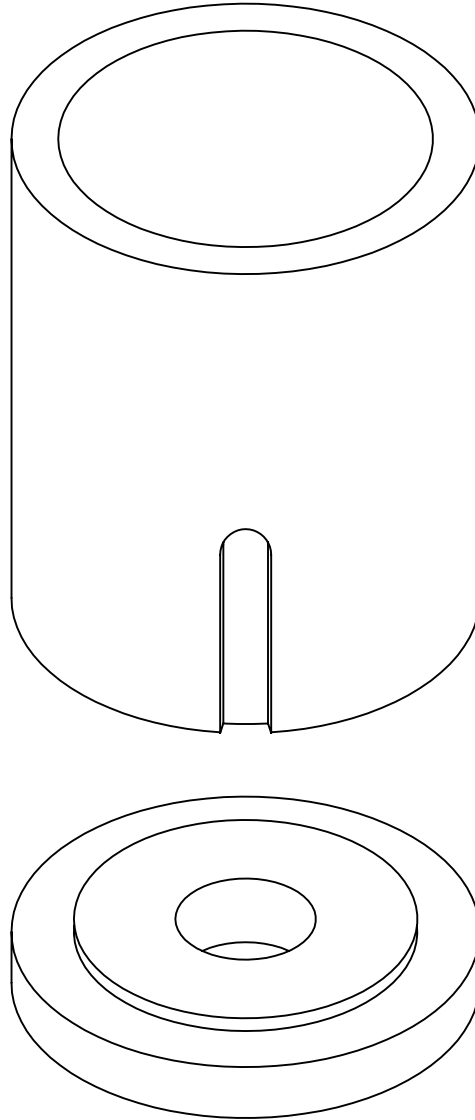
Web: www.lakelandsconcrete.com
E-mail: sales@lakelandsconcrete.com

Date: 9/2/09

DWG: PB18D36

Stock Pullbox
18"Ø x 36"

PB18D36
PB18D36B





Lakelands Concrete Products, Inc.
 7520 East Main St., Lima, NY 14485
 Phone: 585-624-1990, Fax: 585-624-2102

Web: www.lakelandsconcrete.com
 E-mail: sales@lakelandsconcrete.com

Date: 9/2/09

DWG: PB18D36

Stock Pullbox
 18"Ø x 36"

Notes:

- *Cast Iron Frame And Covers Available
- *Meets NYSDOT Item #680.510201
- *Knockouts Taper From 4 1/2" To 4"

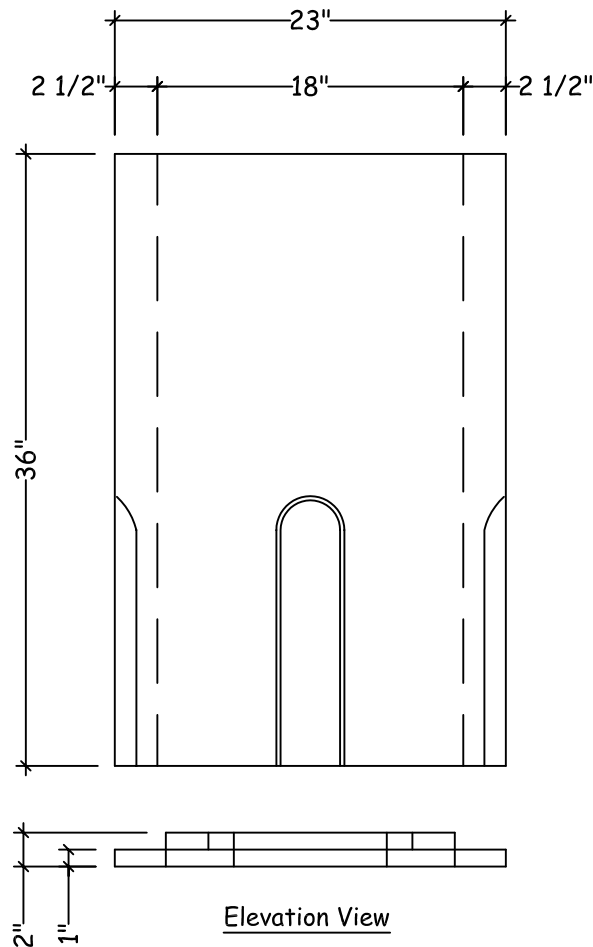
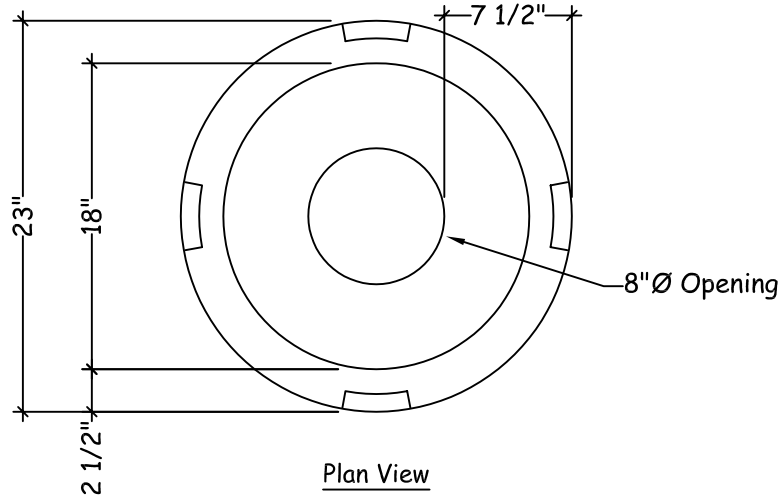
PB18D36
 PB18D36B

Specifications:

Design Criteria: 5000 Psi @28 Days

Entrained Air: 5% - 9%

Reinforcement: BAR-ASTM A615 GR60
 WWR-ASTM A185/A497 GR65



Weights:
 Box: 505lbs
 Base: 100lbs