



Lakelands Concrete Products, Inc.  
7520 East Main St., Lima, NY 14485  
Phone: 585-624-1990, Fax: 585-624-2102

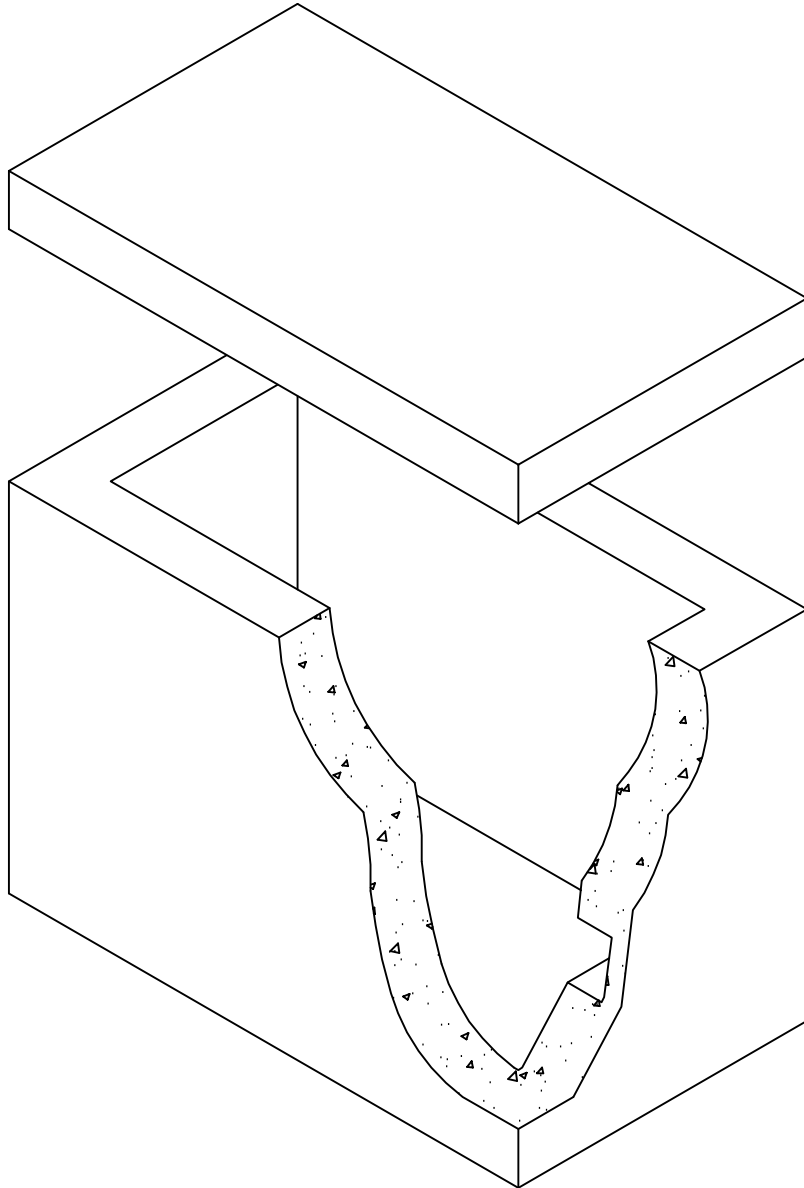
Web: [www.lakelandsconcrete.com](http://www.lakelandsconcrete.com)  
E-mail: [sales@lakelandsconcrete.com](mailto:sales@lakelandsconcrete.com)

Date: 7/11/11

DWG: PB224836

Pullbox  
22"x48"x36"

PB224836





Lakelands Concrete Products, Inc.  
 7520 East Main St., Lima, NY 14485  
 Phone: 585-624-1990, Fax: 585-624-2102

Web: www.lakelandsconcrete.com  
 E-mail: sales@lakelandsconcrete.com

Date: 7/11/11

DWG: PB224836

Pullbox  
 22"x48"x36"

PB224836

**Specifications:**

Design Criteria: 5000 Psi @28 Days

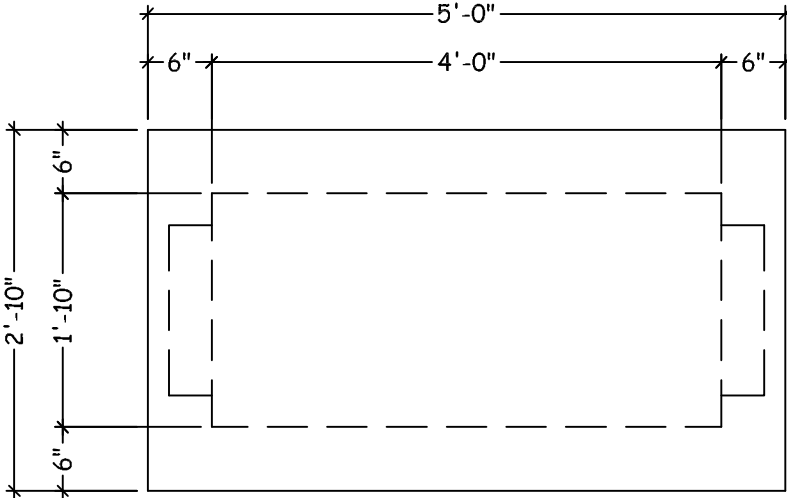
Entrained Air: 5% - 9%

Design Loading: AASHTO HS20-44 With  
 Less Than 2'-0" Earth Cover

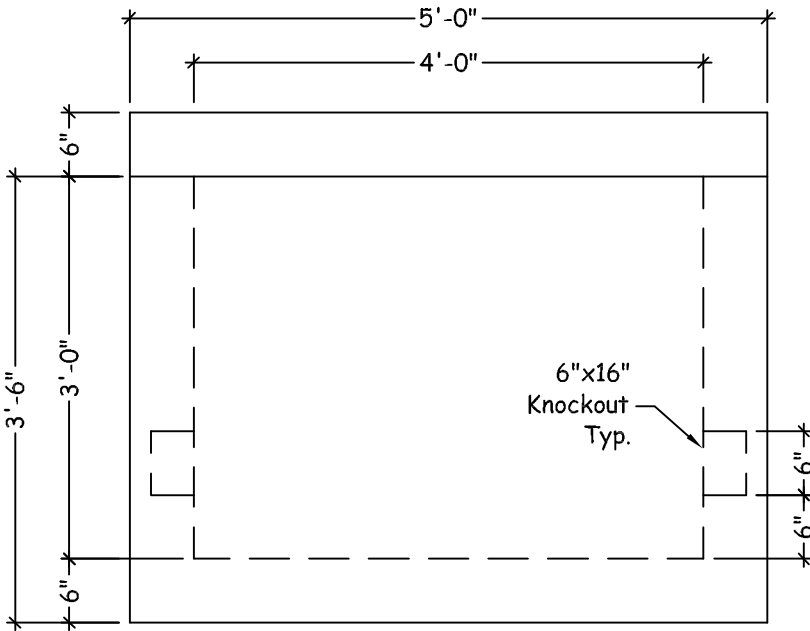
Reinforcement: BAR-ASTM A615 GR60  
 WWR-ASTM A185/A497 GR65

**Notes:**

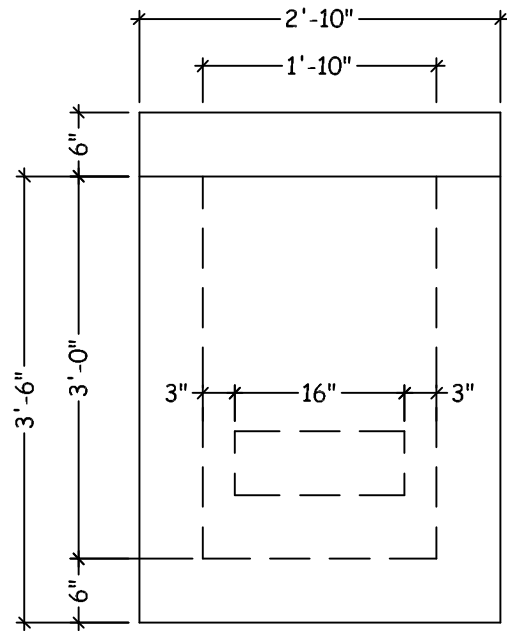
- \*Concrete Cover Available With Various Size Openings
- \*Various Size Knockouts Or Openings As Required
- \*Cast Iron Frame And Covers Available



PLAN VIEW



ELEVATION VIEW



ELEVATION VIEW

**Weights:**  
 Box: 4100 LBS  
 Cover: 1065 LBS