



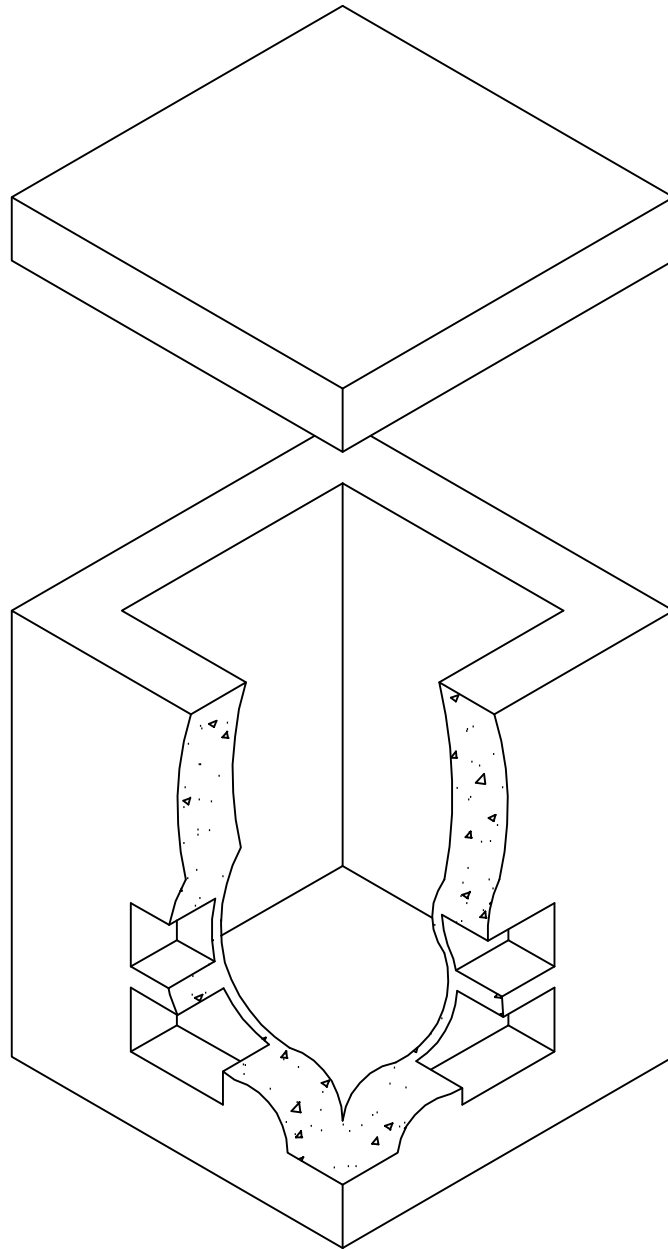
Lakelands Concrete Products, Inc.  
7520 East Main St., Lima, NY 14485  
Phone: 585-624-1990, Fax: 585-624-2102

Web: [www.lakelandsconcrete.com](http://www.lakelandsconcrete.com)  
E-mail: [sales@lakelandsconcrete.com](mailto:sales@lakelandsconcrete.com)

Date: 7/11/11

DWG: PB242436NB-CAT

Stock Pullbox  
24" x 24" x 36"  
No Bottom





Lakelands Concrete Products, Inc.  
 7520 East Main St., Lima, NY 14485  
 Phone: 585-624-1990, Fax: 585-624-2102

Web: www.lakelandsconcrete.com  
 E-mail: sales@lakelandsconcrete.com

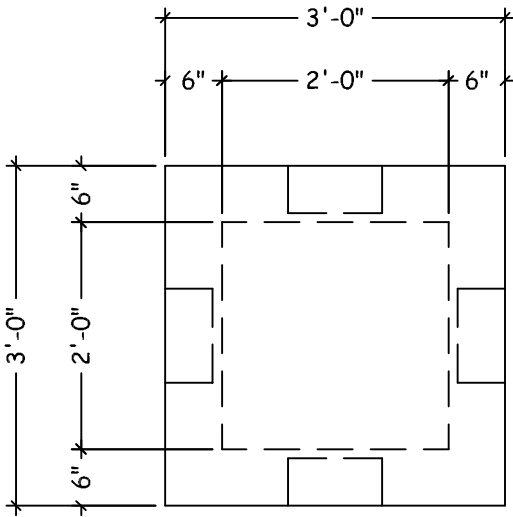
Date: 7/11/11

DWG: PB242436NB-CAT

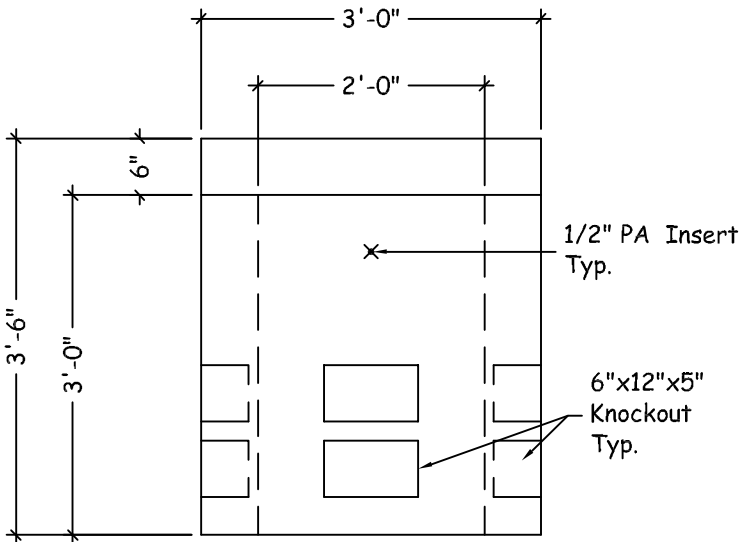
Stock Pullbox  
 24"x24"x36"  
 No Bottom

Specifications: PB242436NB  
 Design Criteria: 5000 Psi @28 Days PB2424C  
 Entrained Air: 5% - 9%  
 Design Loading: AASHTO HS20-44 With  
 Less Than 2'-0" Earth Cover  
 Reinforcement: BAR-ASTM A615 GR60  
 WWR-ASTM A185/A497 GR65

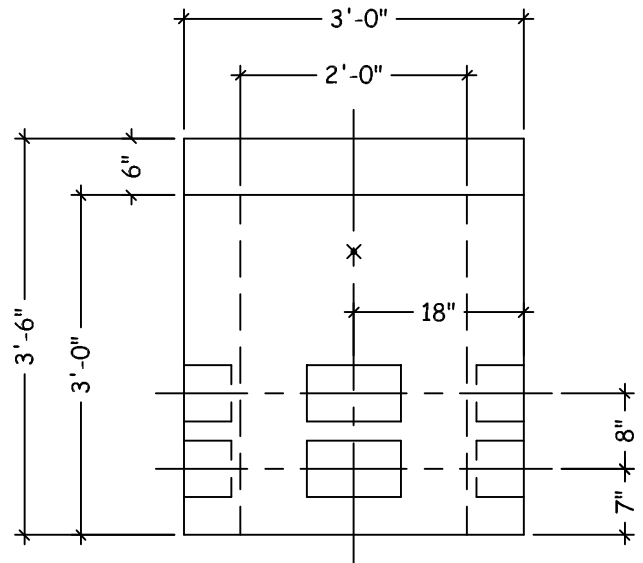
Notes:  
 \*Concrete Cover Available With Various Size  
 Openings  
 \*Various Size Knockouts Or Openings As  
 Required  
 \*Cast Iron Frame And Covers Available



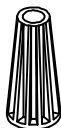
PLAN VIEW



ELEVATION VIEW



ELEVATION VIEW



Pennsylvania Inserts  
 -1/2" Bolt Diameter  
 -Stops Corrosion  
 -2 1/2" Bolt Embedment Depth  
 -Work Load Strength Of 1,260lbs

Weights:  
 Box: 2925 lbs  
 Cover: 675 lbs