



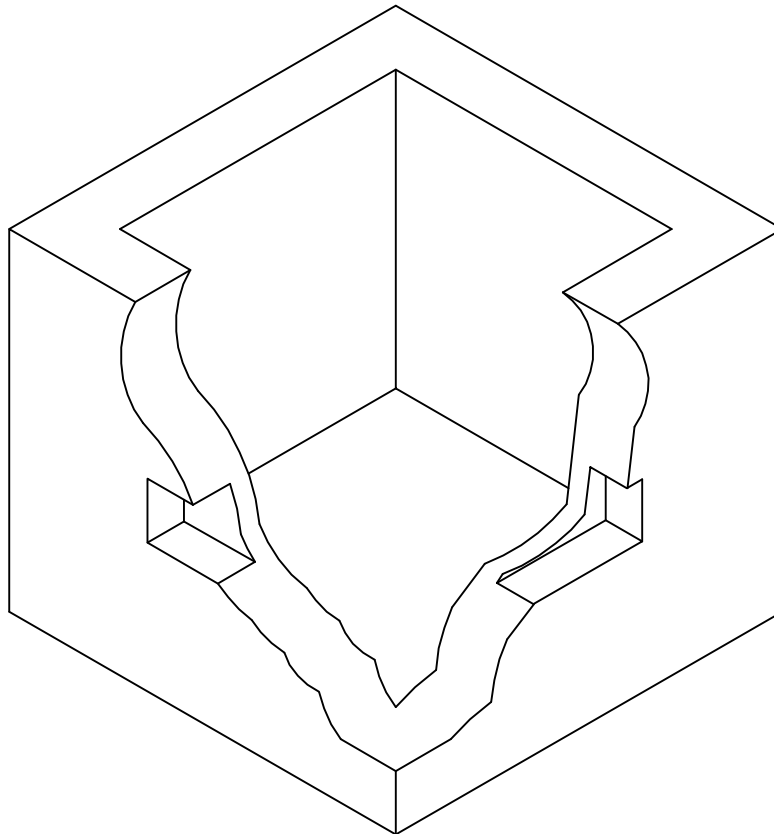
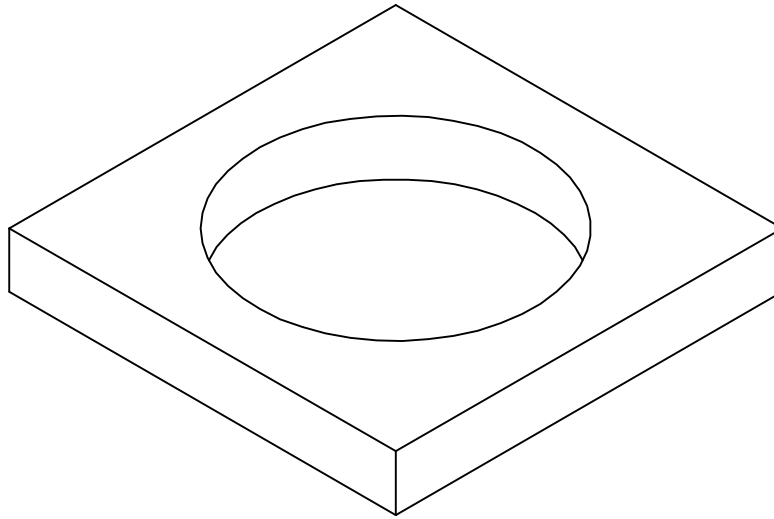
Lakelands Concrete Products, Inc.  
7520 East Main St., Lima, NY 14485  
Phone: 585-624-1990, Fax: 585-624-2102

Web: [www.lakelandsconcrete.com](http://www.lakelandsconcrete.com)  
E-mail: [sales@lakelandsconcrete.com](mailto:sales@lakelandsconcrete.com)

Date: 7/11/11

DWG: PB30303ORGE-CAT

Stock Pullbox  
30" x 30" x 30"





Lakelands Concrete Products, Inc.  
 7520 East Main St., Lima, NY 14485  
 Phone: 585-624-1990, Fax: 585-624-2102

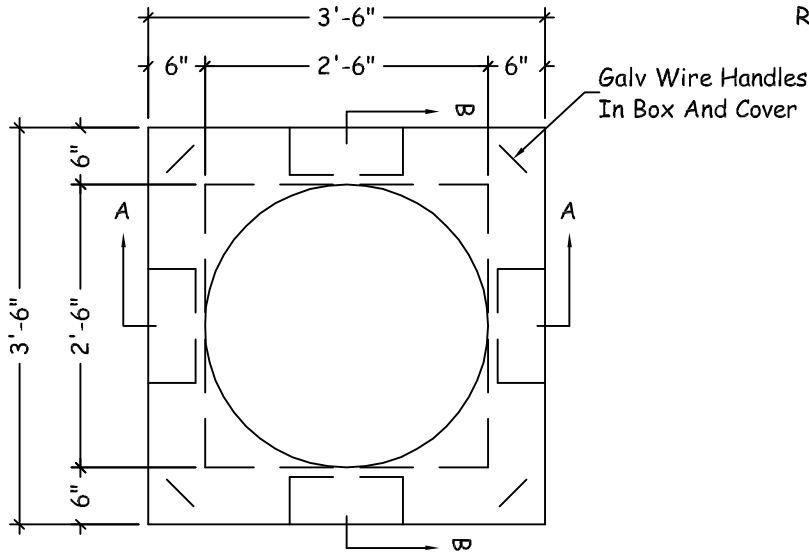
Web: www.lakelandsconcrete.com  
 E-mail: sales@lakelandsconcrete.com

Date: 7/11/11

DWG: PB30303ORGE-CAT

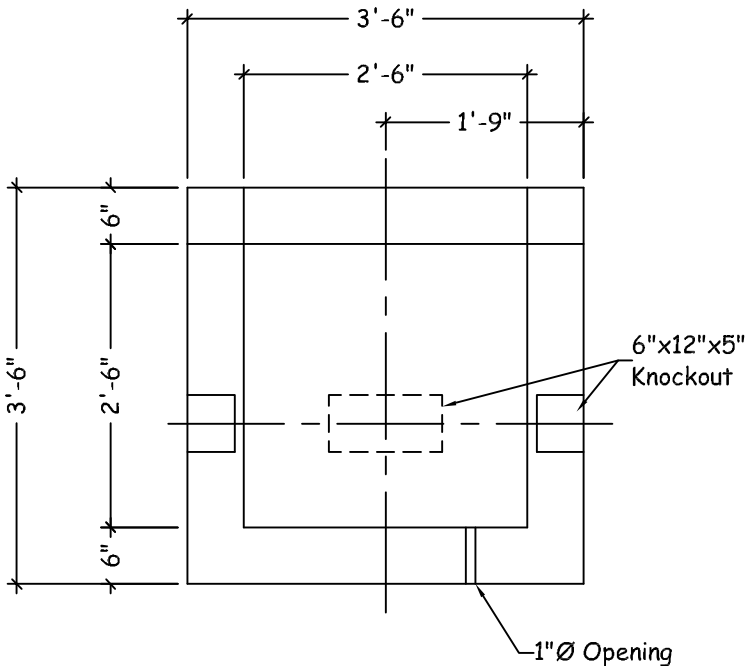
Stock Pullbox  
 30"x30"x30"

Specifications: PB303030  
 Design Criteria: 5000 Psi @28 Days PB3030C30  
 Entrained Air: 5% - 9%  
 Design Loading: AASHTO HS20-44 With  
 Less Than 2'-0" Earth Cover  
 Reinforcement: BAR-ASTM A615 GR60  
 WWR-ASTM A185/A497 GR65

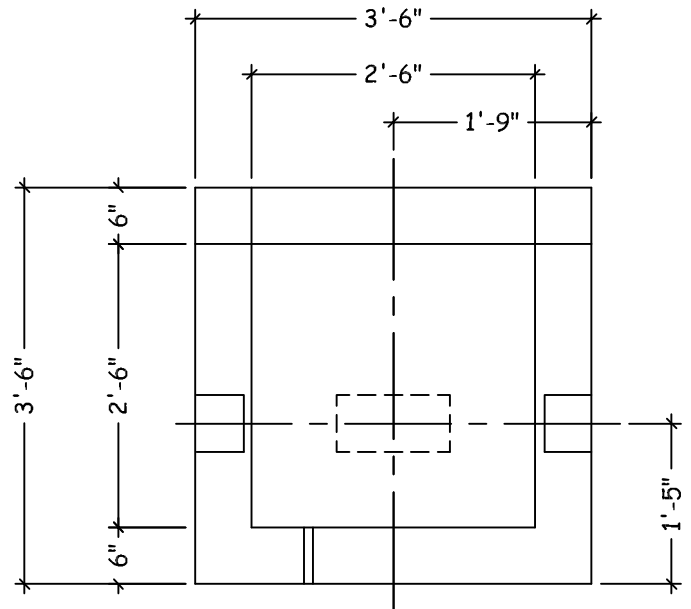


Plan View

Notes:  
 \*Concrete Cover Available With Various Size  
 Openings  
 \*Various Size Knockouts Or Openings As  
 Required  
 \*Cast Iron Frame And Covers Available



Section View 'A'



Section View 'B'

Weights:  
 Box: 2925 lbs  
 Cover: 675 lbs