



Lakelands Concrete Products, Inc.  
7520 East Main St., Lima, NY 14485  
Phone: 585-624-1990, Fax: 585-624-2102

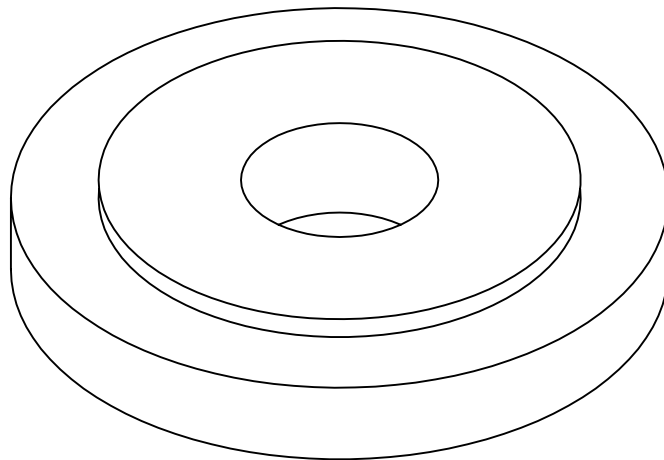
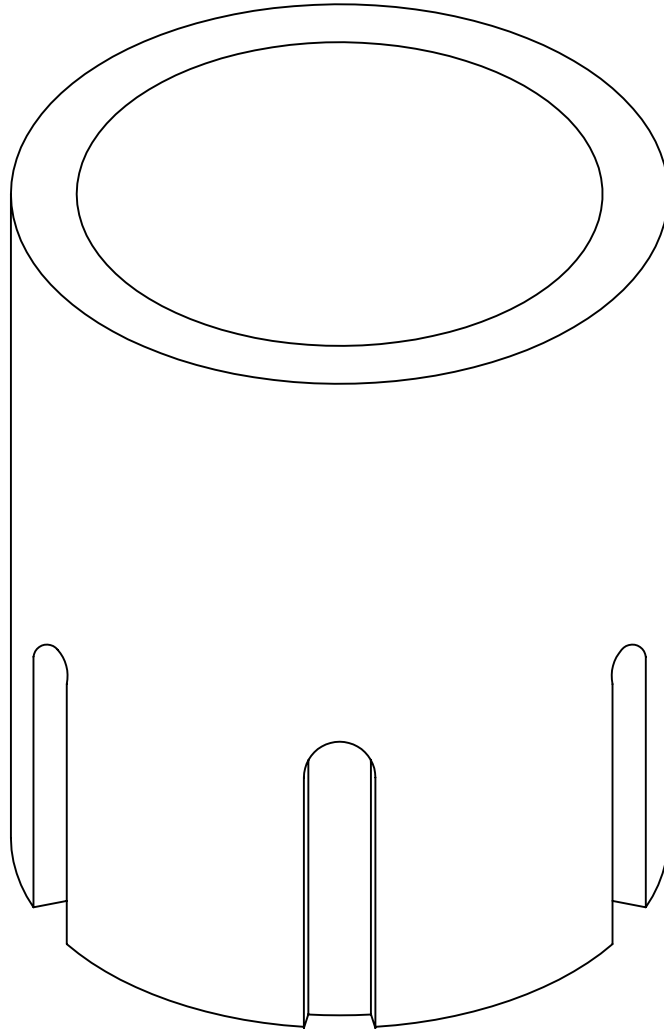
Web: [www.lakelandsconcrete.com](http://www.lakelandsconcrete.com)  
E-mail: [sales@lakelandsconcrete.com](mailto:sales@lakelandsconcrete.com)

Date: 12/10/10

DWG: PB30D36

Stock Pullbox  
30"Ø x 36"

PB30D36  
PB30D36B





Lakelands Concrete Products, Inc.  
 7520 East Main St., Lima, NY 14485  
 Phone: 585-624-1990, Fax: 585-624-2102

Web: www.lakelandsconcrete.com  
 E-mail: sales@lakelandsconcrete.com

Date: 12/10/10

DWG: PB30D36

**Stock Pullbox**  
**30"Ø x 36"**

PB30D36  
 PB30D36B

**Specifications:**

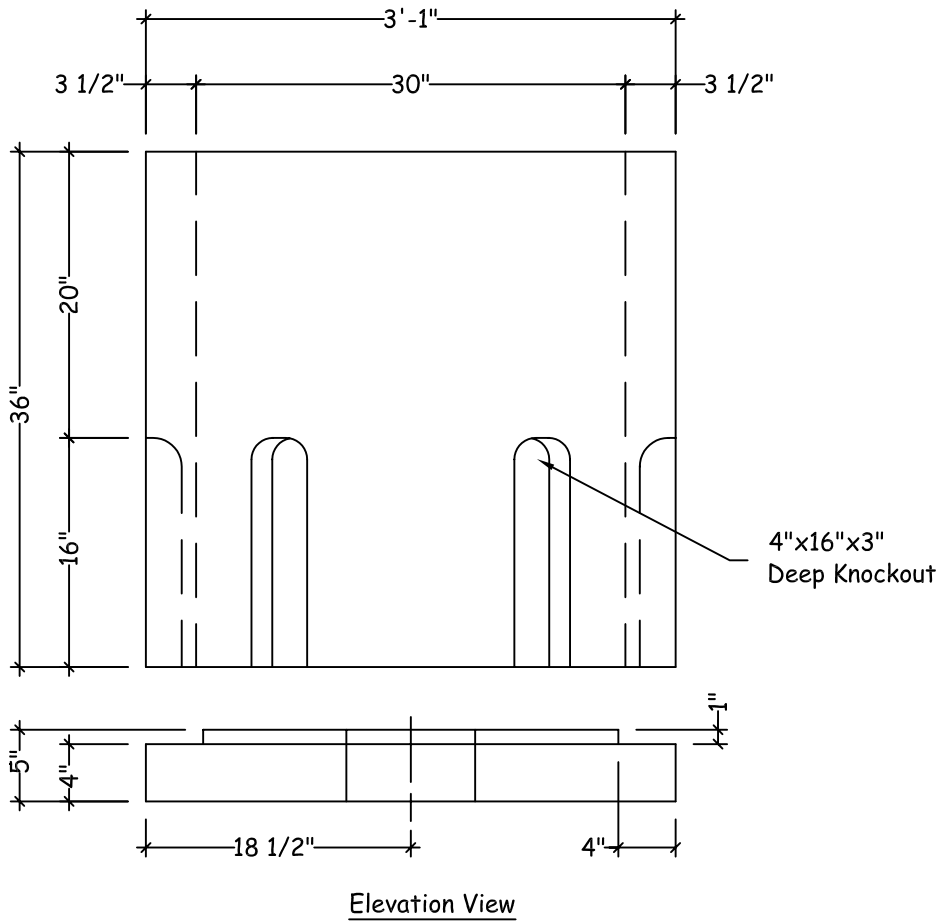
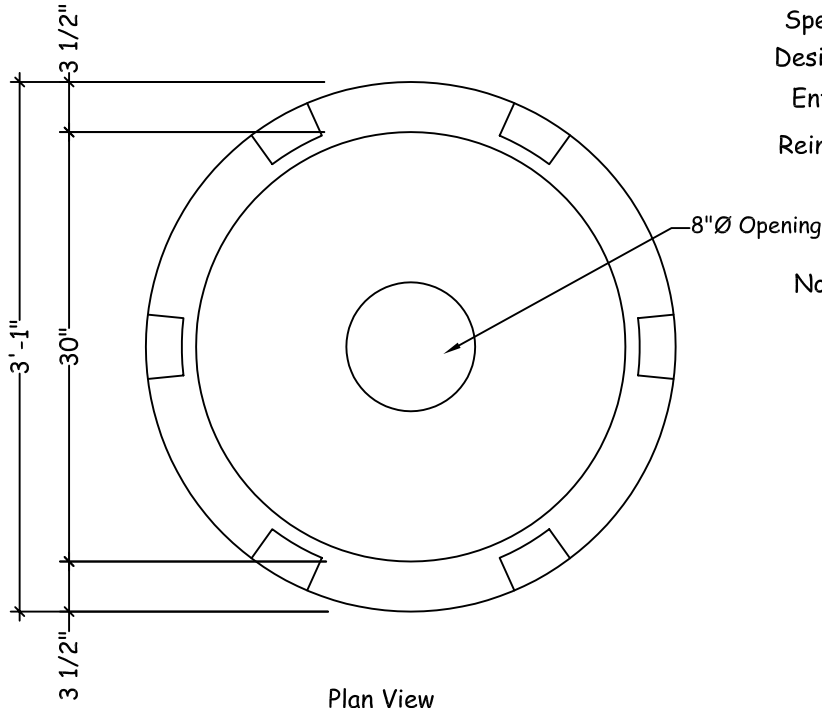
Design Criteria: 5000 Psi @28 Days

Entrained Air: 5% - 9%

Reinforcement: BAR-ASTM A615 GR60  
 WWR-ASTM A185/A497 GR65

**Notes:**

- \*Cast Iron Frame And Covers Available
- \*Meets NYSDOT Item #680.510401
- \*Knockouts Taper From 4 1/2" To 4"



**Weights:**  
 Box: 1135lbs  
 Base: 366lbs