



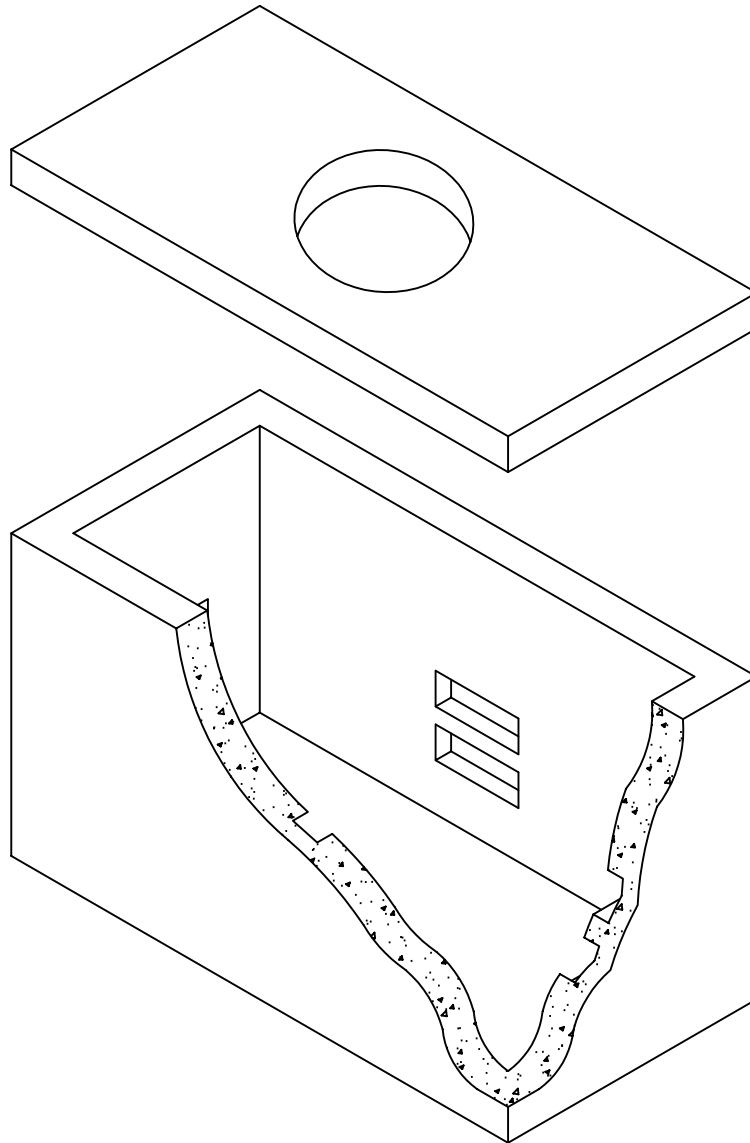
Lakelands Concrete Products, Inc.  
7520 East Main St., Lima, NY 14485  
Phone: 585-624-1990, Fax: 585-624-2102

Web: [www.lakelandsconcrete.com](http://www.lakelandsconcrete.com)  
E-mail: [sales@lakelandsconcrete.com](mailto:sales@lakelandsconcrete.com)

Date: 8/31/09

DWG: PB374-CAT

Stock Pullbox  
3'-0" x 7'-0" x 4'-0"





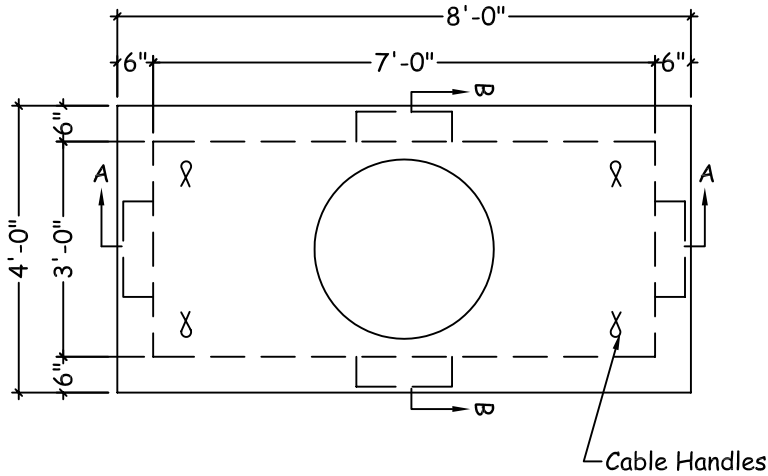
Lakelands Concrete Products, Inc.  
 7520 East Main St., Lima, NY 14485  
 Phone: 585-624-1990, Fax: 585-624-2102

Web: www.lakelandsconcrete.com  
 E-mail: sales@lakelandsconcrete.com

Date: 8/31/09

DWG: PB374-CAT

Stock Pullbox  
 3'-0" x 7'-0" x 4'-0"



Plan View

Specifications:

Design Criteria: 5000 Psi @28 Days

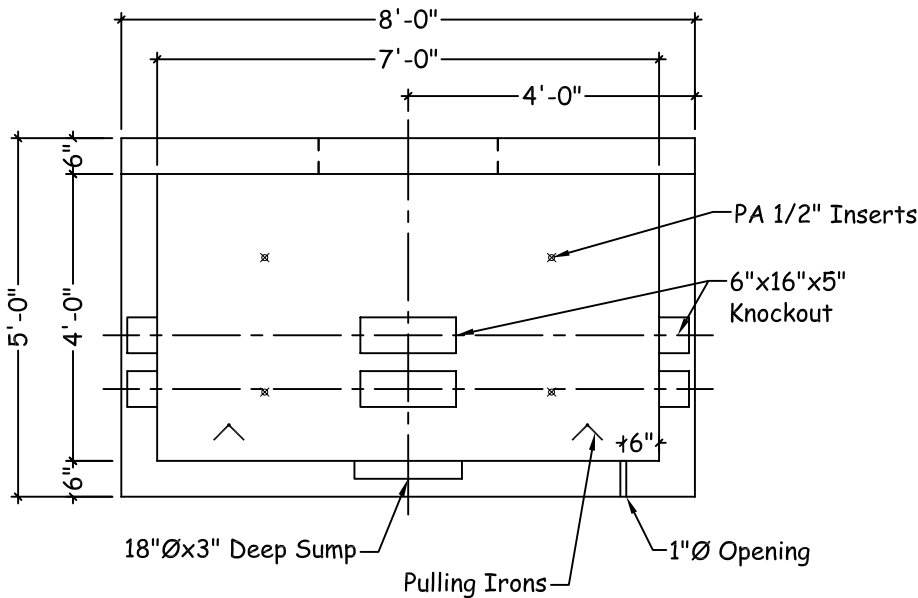
Entrained Air: 5% - 9%

Design Loading: AASHTO HS20-44 With  
 Less Than 2'-0" Earth Cover

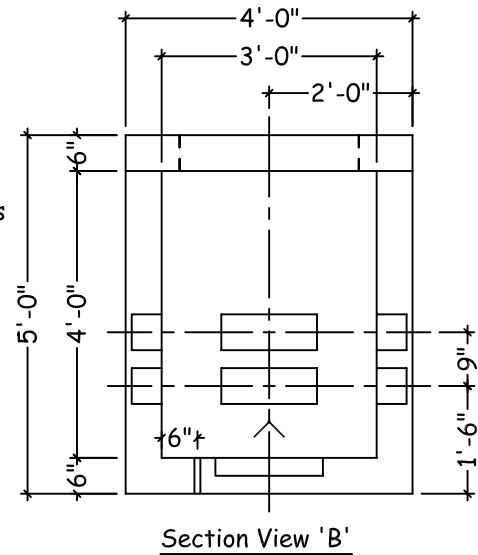
Reinforcement: BAR-ASTM A615 GR60  
 WWR-ASTM A185/A497 GR65

Notes:

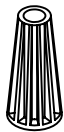
- \*Concrete Cover Available With Various Size Openings
- \*Various Size Knockouts Or Openings As Required
- \*Cast Iron Frame And Covers Available



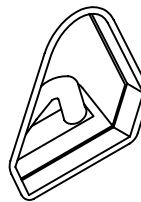
Section View 'A'



Section View 'B'



Pennsylvania Inserts  
 -1/2" Bolt Diameter  
 -Stops Corrosion  
 -2 1/2" Bolt Embedment Depth  
 -Work Load Strength Of 1,260lbs



Bowco Insert Pulling Iron  
 -Noncorrosive  
 -Seven Strand, 1/2"Ø, With An  
 Ultimate Strength Of 270,000 psi  
 -Encapsulated By A Rustproof Sleeve  
 That Slips Over The Steel Rope At  
 The Hooking Point

Weights:  
 Box: 7980lbs  
 Cover: 2035lbs



Lakelands Concrete Products, Inc.  
 7520 East Main St., Lima, NY 14485  
 Phone: 585-624-1990, Fax: 585-624-2102

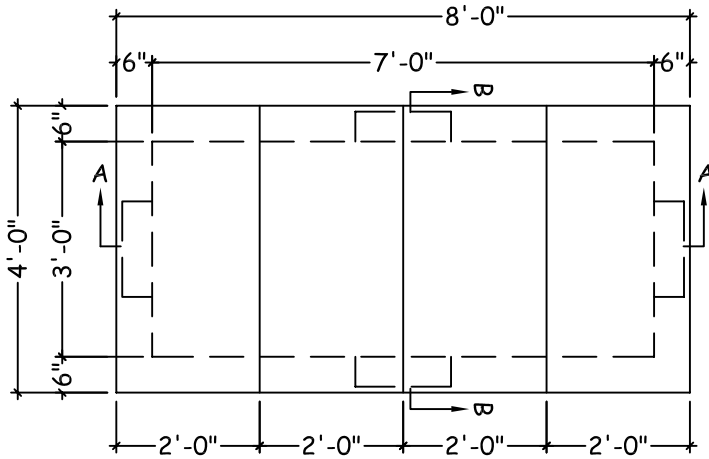
Web: www.lakelandsconcrete.com  
 E-mail: sales@lakelandsconcrete.com

Date: 8/31/09

DWG: PB374

Stock Pullbox  
 3'-0" x 7'-0" x 4'-0"

PB374  
 PBSECT



Plan View

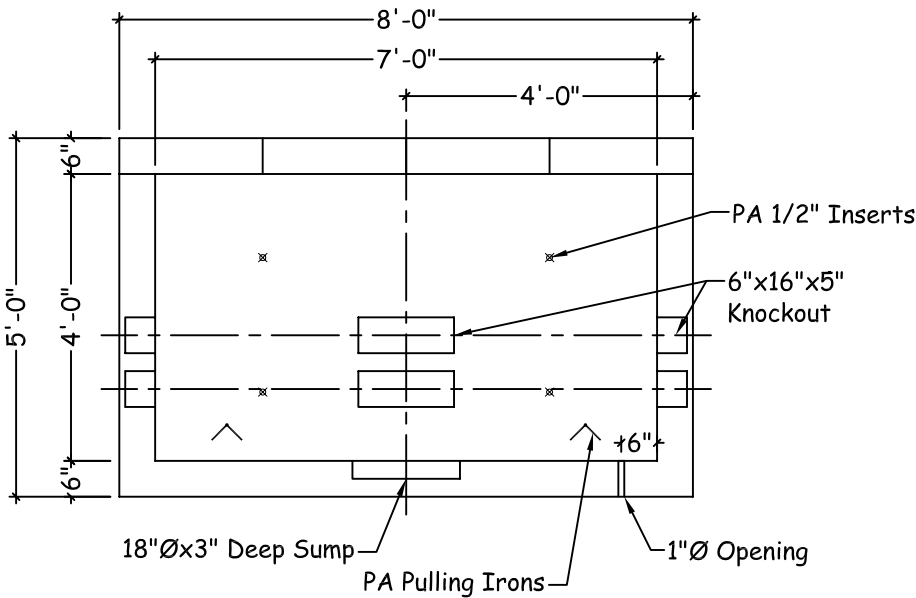
Specifications:

Design Criteria: 5000 Psi @28 Days

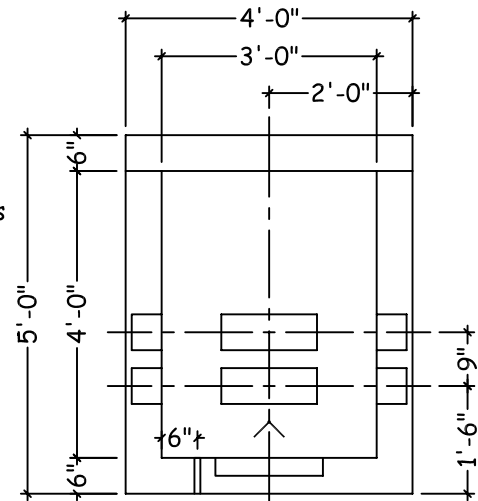
Entrained Air: 5% - 9%

Design Loading: AASHTO HS20-44 With  
 Less Than 2'-0" Earth Cover

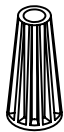
Reinforcement: BAR-ASTM A615 GR60  
 WWR-ASTM A185/A497 GR65



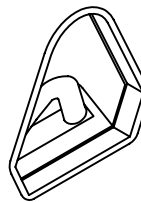
Section View 'A'



Section View 'B'



- Pennsylvania Inserts
- 1/2" Bolt Diameter
  - Stops Corrosion
  - 2 1/2" Bolt Embedment Depth
  - Work Load Strength Of 1,260lbs



- Pennsylvania Insert Pulling Iron
- Noncorrosive
  - Seven Strand, 1/2"Ø, With An Ultimate Strength Of 270,000 psi
  - Encapsulated By A Rustproof Sleeve That Slips Over The Steel Rope At The Hooking Point

Weights:  
 Box: 7980lbs  
 Cover: 600lbs ea.