



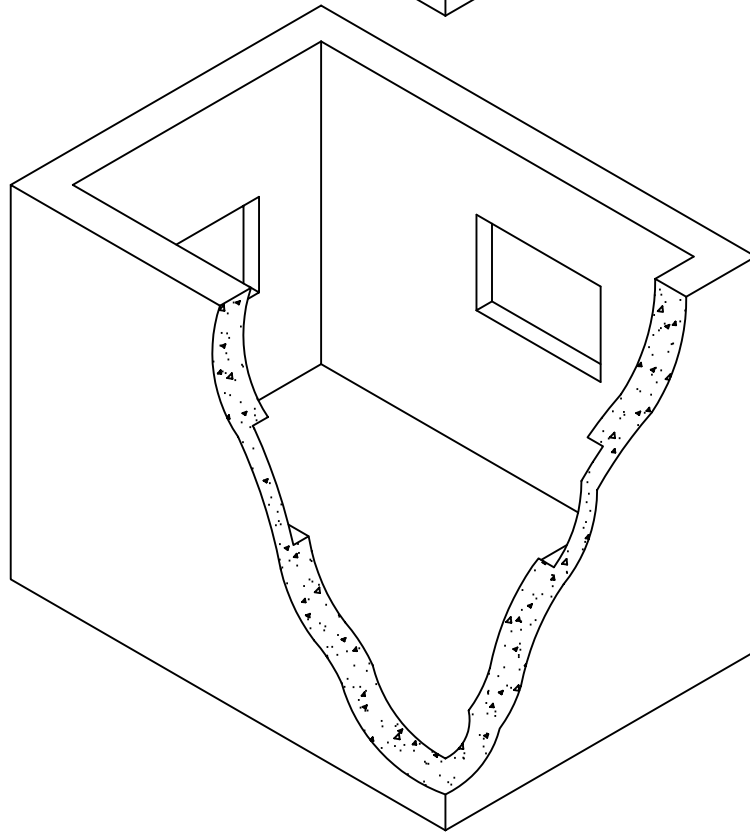
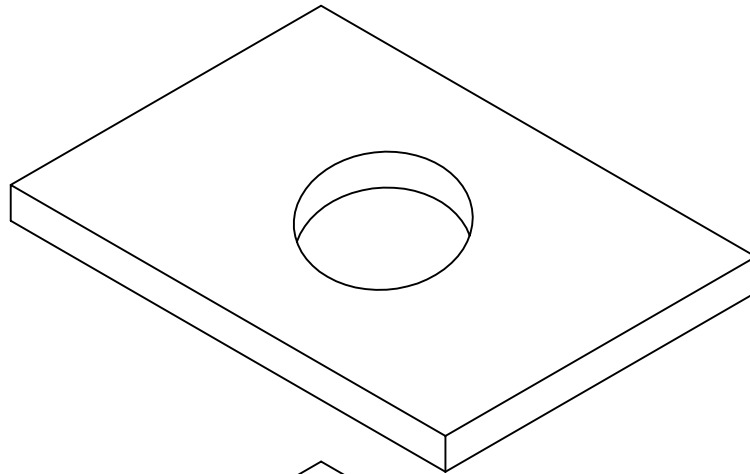
Lakelands Concrete Products, Inc.
7520 East Main St., Lima, NY 14485
Phone: 585-624-1990, Fax: 585-624-2102

Web: www.lakelandsconcrete.com
E-mail: sales@lakelandsconcrete.com

Date: 8/31/09

DWG: PB465-CAT

Stock Pullbox
4'-0" x 6'-0" x 5'-0"





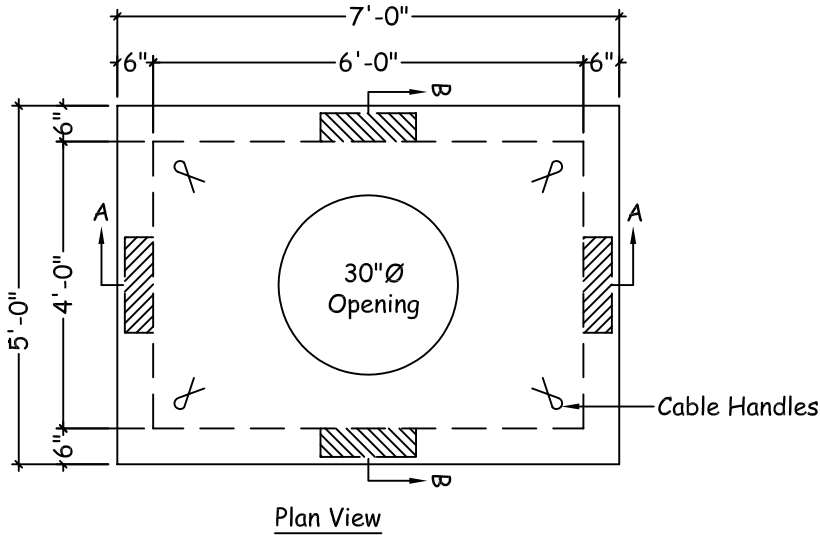
Lakelands Concrete Products, Inc.
7520 East Main St., Lima, NY 14485
Phone: 585-624-1990, Fax: 585-624-2102

Web: www.lakelandsconcrete.com
E-mail: sales@lakelandsconcrete.com

Date: 8/31/09

DWG: PB465-CAT

Stock Pullbox
4'-0" x 6'-0" x 5'-0"



Specifications:

Design Criteria: 5000 Psi @28 Days

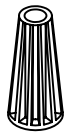
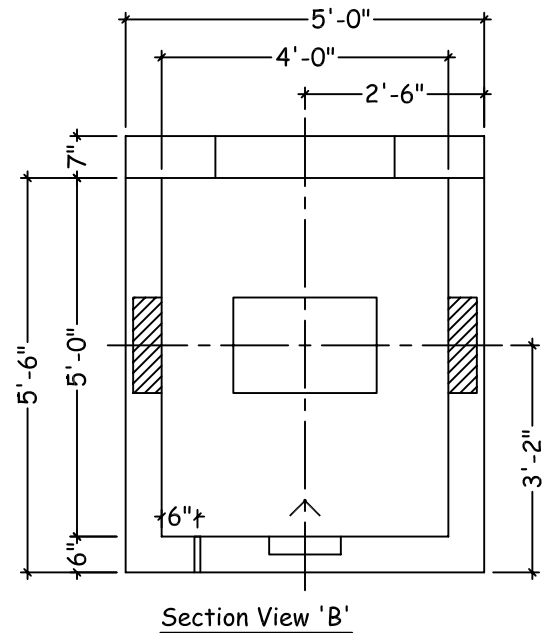
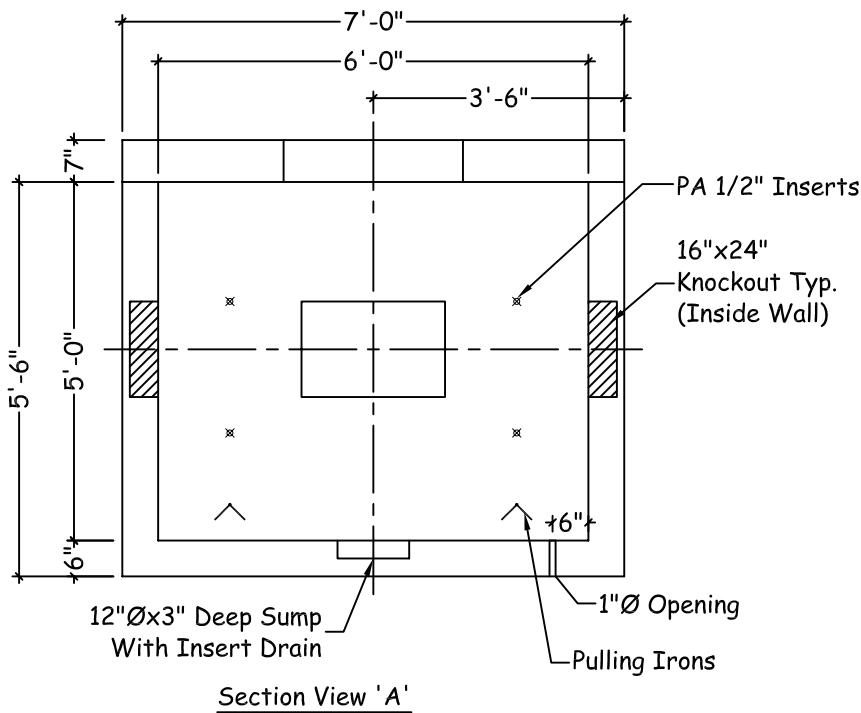
Entrained Air: 5% - 9%

Design Loading: AASHTO HS20-44 With
Less Than 2'-0" Earth Cover

Reinforcement: BAR-ASTM A615 GR60
WWR-ASTM A185/A497 GR65

Notes:

- *Concrete Cover Available With Various Size Openings
- *Various Size Knockouts Or Openings As Required
- *Cast Iron Frame And Covers Available



Pennsylvania Inserts
-1/2" Bolt Diameter
-Stops Corrosion
-2 1/2" Bolt Embedment Depth
-Work Load Strength Of 1,260lbs



Bowco Insert Pulling Iron
-Noncorrosive
-Seven Strand, 1/2"Ø, With An
Ultimate Strength Of 270,000 psi
-Encapsulated By A Rustproof Sleeve
That Slips Over The Steel Rope At
The Hooking Point

Weights:
Box: 10180lbs
Cover: 2635lbs