



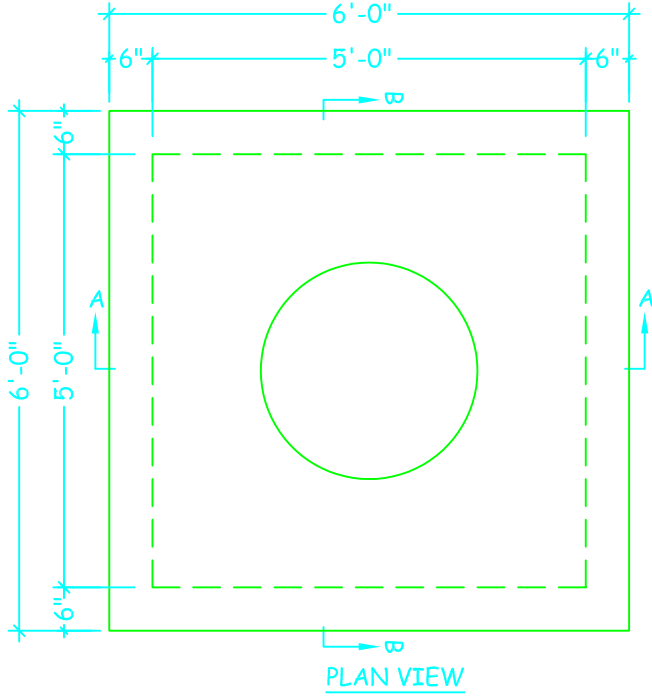
Lakelands Concrete Products, Inc.
7520 East Main St., Lima, NY 14485
Phone: 585-624-1990, Fax: 585-624-2102

Web: www.lakelandsconcrete.com
E-mail: sales@lakelandsconcrete.com

Date: 5/16/02

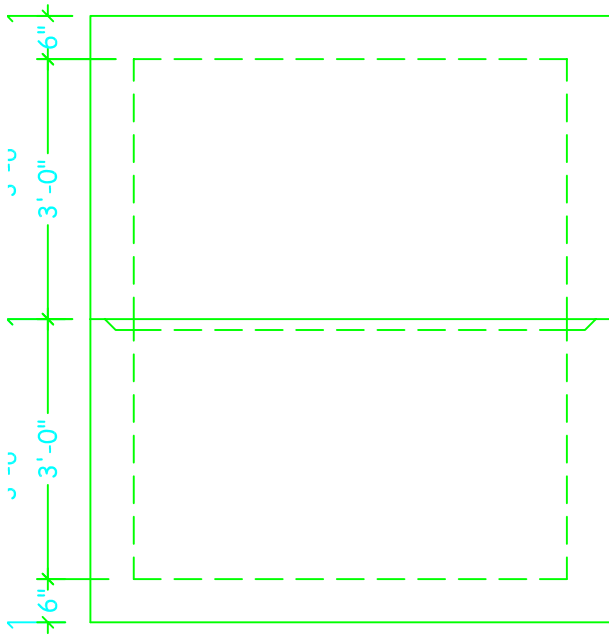
DWG: PB556

Pullbox
5'-0" x 5'-0" x 6'-0"

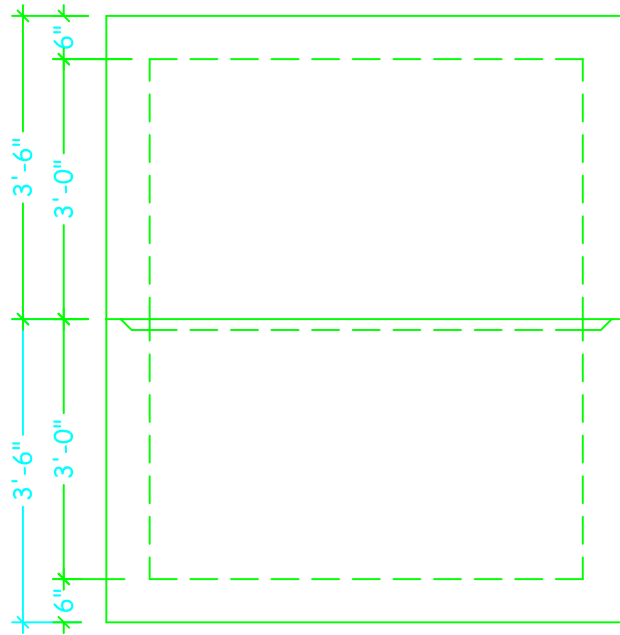


Specifications:

Concrete: 5000psi @ 28 Days
Entrained Air: 5% - 9%
Reinforcing: $f_y = 60,000$ psi ASTM A615
Design Loading: HS20 With Less Than 2'-0" Earth Cover



SECTION VIEW 'A'



SECTION VIEW 'B'