



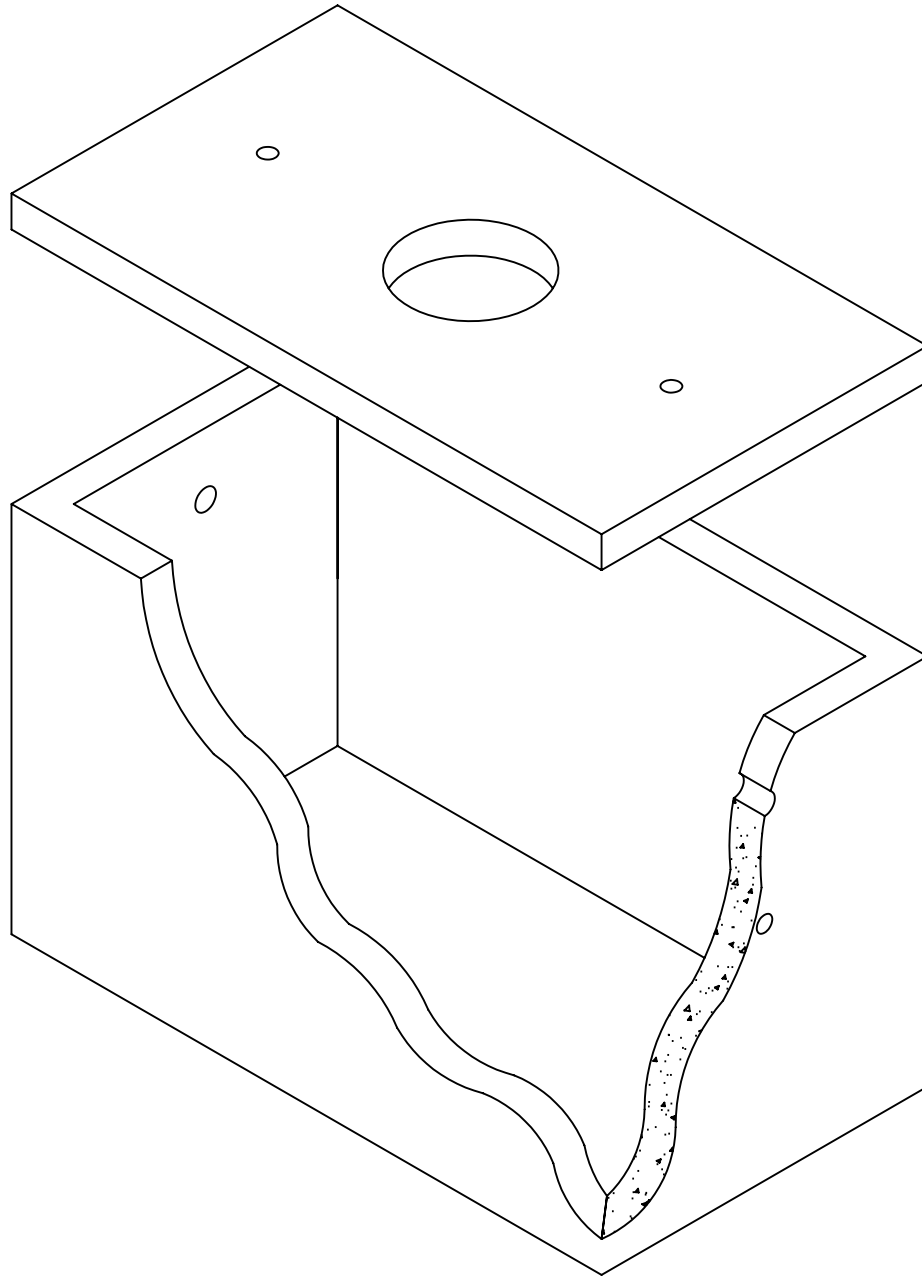
Lakelands Concrete Products, Inc.
7520 East Main St., Lima, NY 14485
Phone: 585-624-1990, Fax: 585-624-2102

Web: www.lakelandsconcrete.com
E-mail: sales@lakelandsconcrete.com

Date: 12/15/10

DWG: PT1250

Pump Tank
1250 Gallon





Lakelands Concrete Products, Inc.
 7520 East Main St., Lima, NY 14485
 Phone: 585-624-1990, Fax: 585-624-2102

Web: www.lakelandsconcrete.com
 E-mail: sales@lakelandsconcrete.com

Date: 12/15/10

DWG: PT1250

Pump Tank
 1250 Gallon

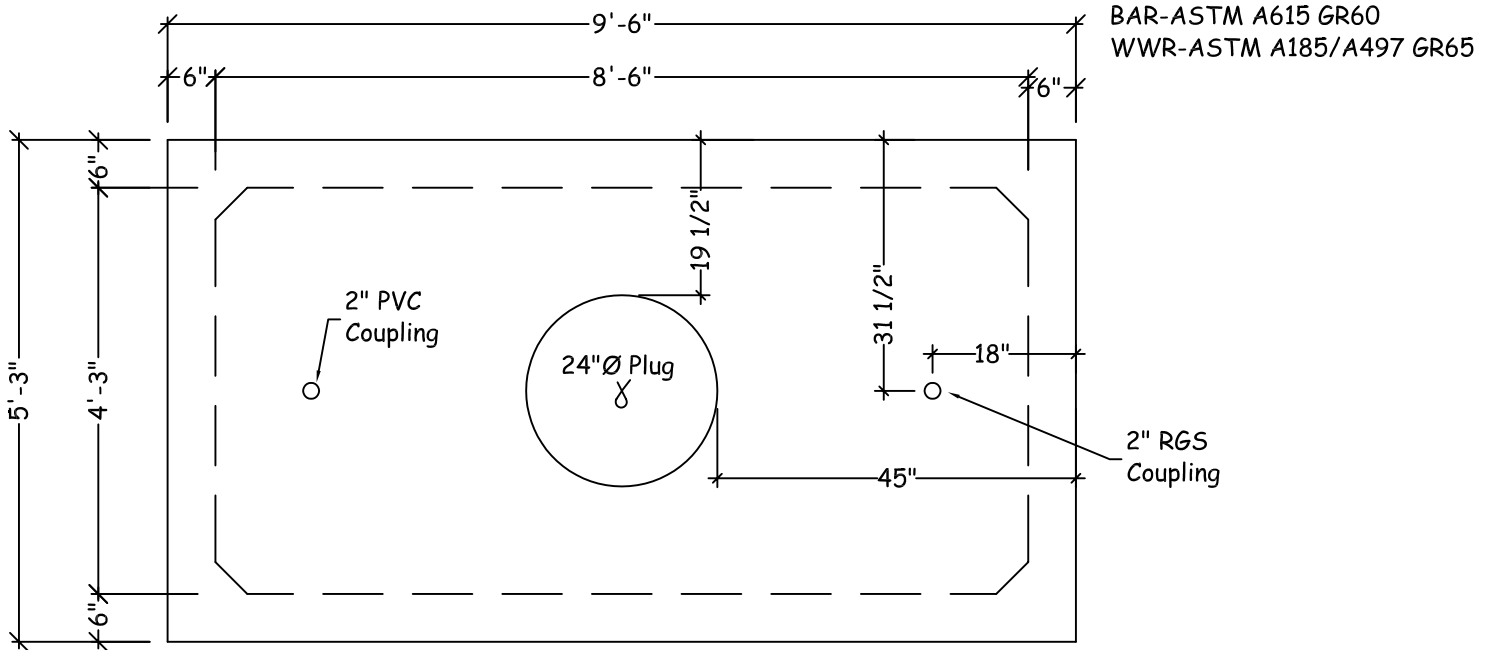
Notes:

*Cast Iron Frame And Covers Available

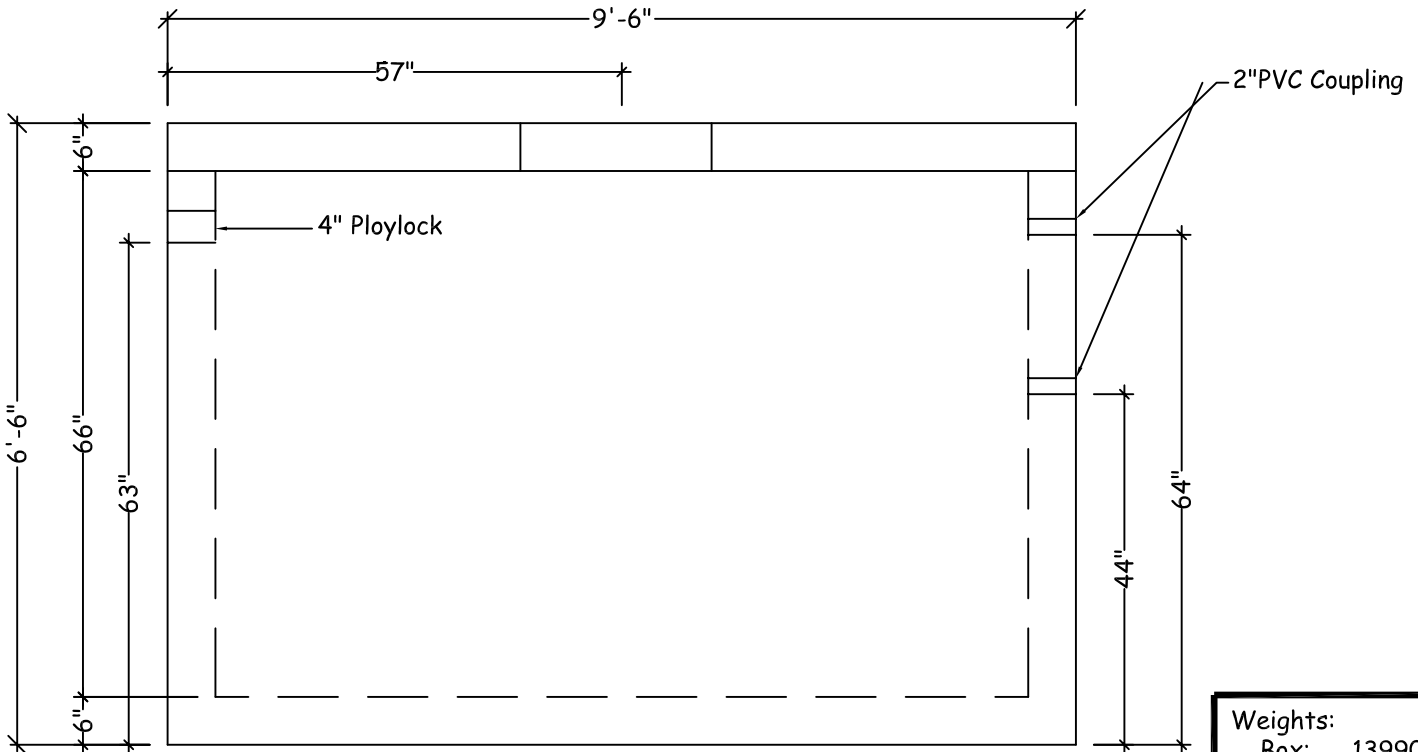
PT1250
 PT1250C

Specifications:

Design Criteria: 5000 Psi @28 Days
 Entrained Air: 5% - 9%



Plan View



Elevation View

Weights:
 Box: 13990lbs
 Cover: 3740lbs