



Lakelands Concrete Products, Inc.  
7520 East Main St., Lima, NY 14485  
Phone: 585-624-1990, Fax: 585-624-2102

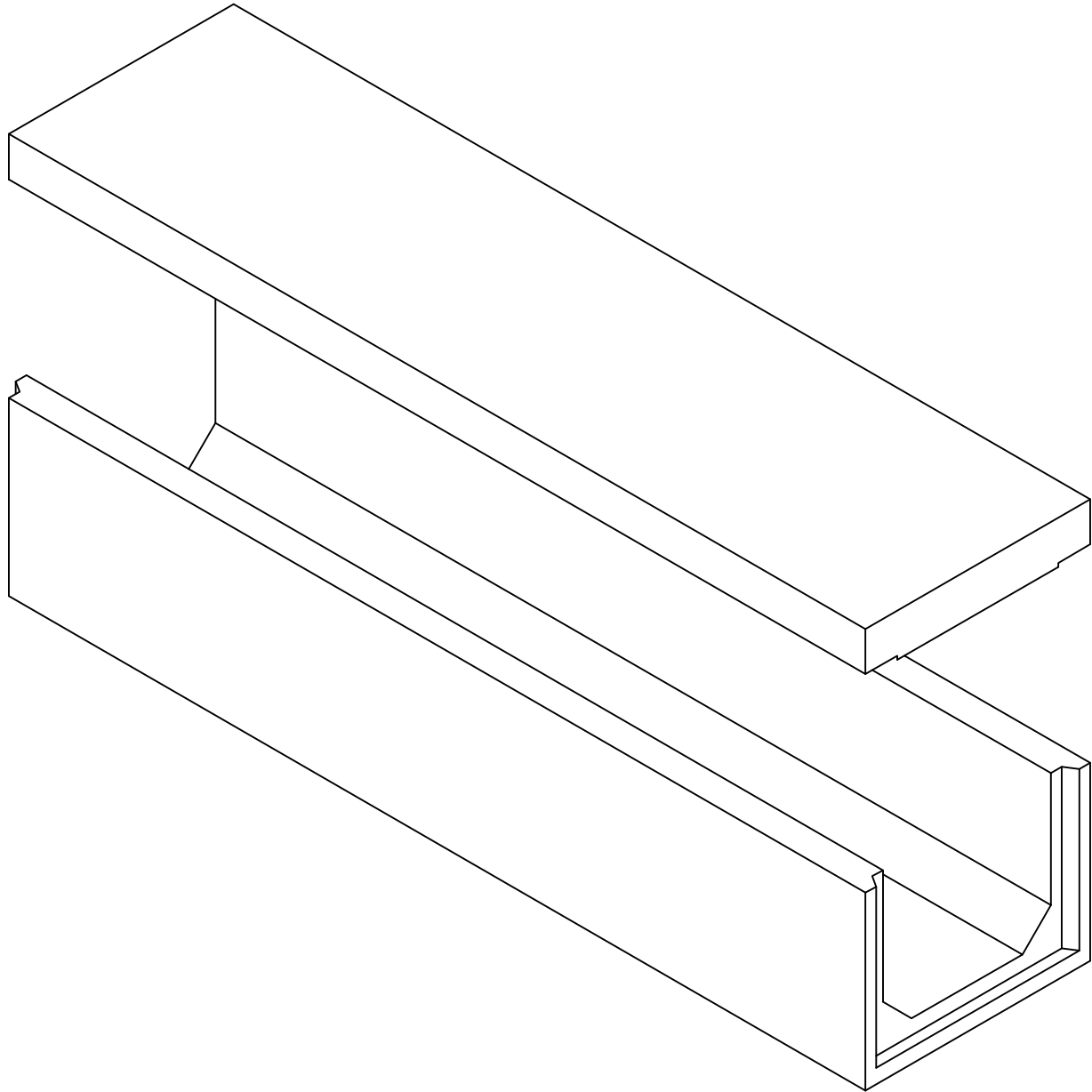
Web: [www.lakelandsconcrete.com](http://www.lakelandsconcrete.com)  
E-mail: [sales@lakelandsconcrete.com](mailto:sales@lakelandsconcrete.com)

Date: 7/8/11

DWG: PT-4827

Steam Trench  
4'-0" x 2'-3"

PT-4827





Lakelands Concrete Products, Inc.  
 7520 East Main St., Lima, NY 14485  
 Phone: 585-624-1990, Fax: 585-624-2102

Web: www.lakelandsconcrete.com  
 E-mail: sales@lakelandsconcrete.com

Date: 7/8/11

DWG: PT-4827

Steam Trench  
 4'-0" x 2'-3"

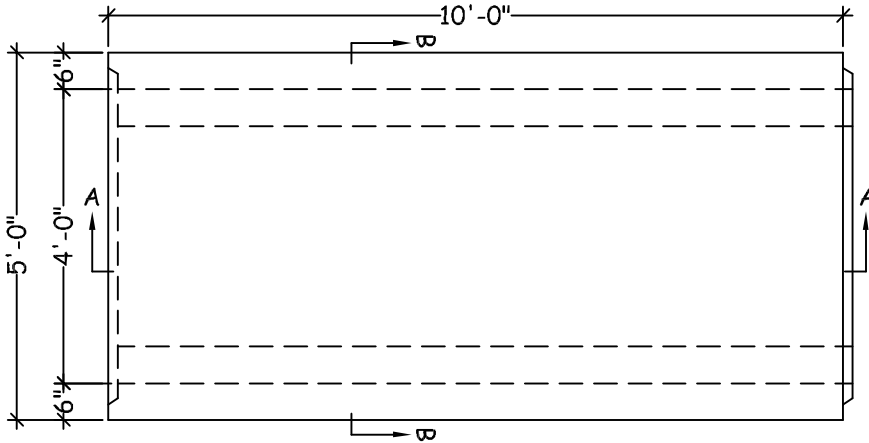
PT-4827

Specifications:

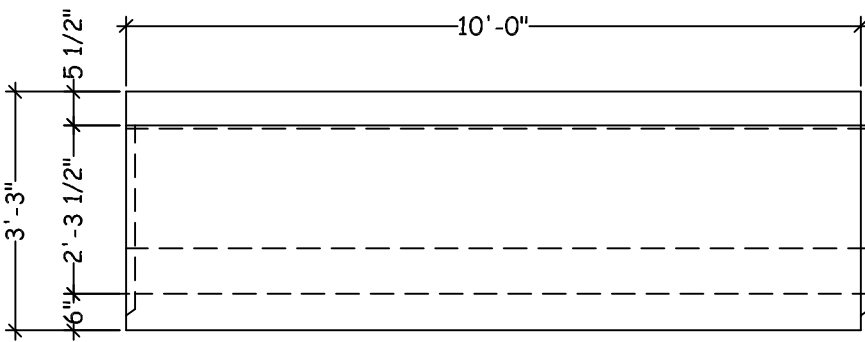
Design Criteria: 5000 Psi @28 Days

Entrained Air: 5% - 9%

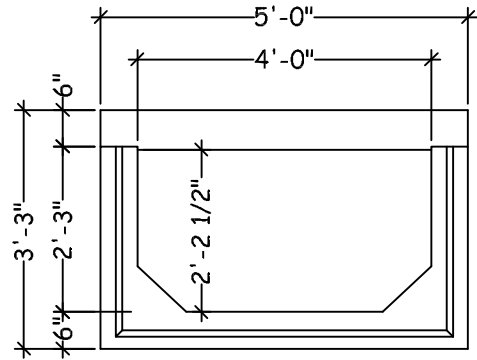
Reinforcement: BAR-ASTM A615 GR60  
 WWR-ASTM A185/A497 GR65



PLAN VIEW



SECTION VIEW 'A'



SECTION VIEW 'B'

Weight:  
 Cover: 3750 LBS  
 Trench: 7125 LBS