



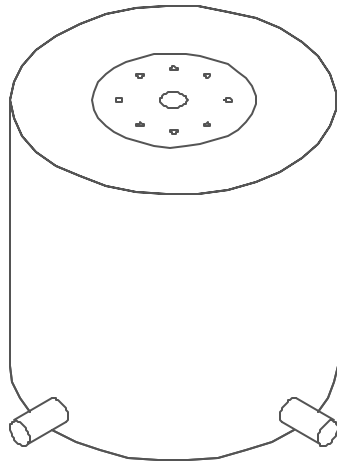
Lakelands Concrete Products, Inc.
7520 East Main St., Lima, NY 14485
Phone: 585-624-1990, Fax: 585-624-2102

Web: www.lakelandsconcrete.com
E-mail: sales@lakelandsconcrete.com

Date: 4/29/02

DWG: SP-ALC

Airport Lightcans
24"Ø x 20"





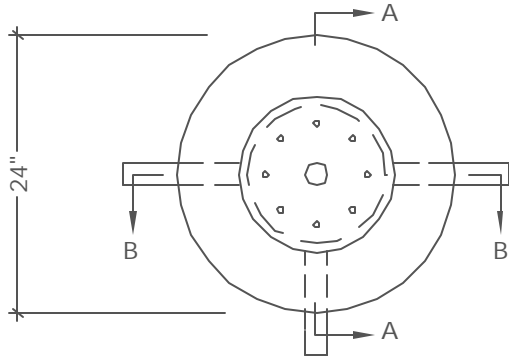
Lakelands Concrete Products, Inc.
7520 East Main St., Lima, NY 14485
Phone: 585-624-1990, Fax: 585-624-2102

Web: www.lakelandsconcrete.com
E-mail: sales@lakelandsconcrete.com

Date: 4/29/02

DWG: SP-ALC

Airport Lightcans
24" Ø x 20"

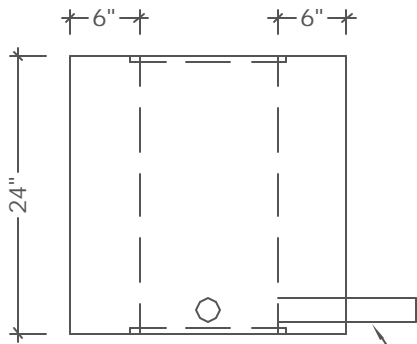


PLAN VIEW

Notes:

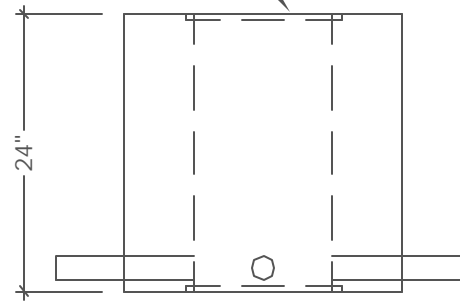
Concrete: 5000 psi @ 28 Days
Entrained Air: 5% - 9%
Reinforcing: $f_y = 60,000$ psi,
ASTM A615

Transformer Base F.A.A. Spec.
L-867 12" Dia x 24" Deep



ELEVATION VIEW 'A'

Galvanized Lightcan
Supplied By Contractor



ELEVATION VIEW 'B'

2" Ø RGS Conduit
To Extend Past Precast

Weights: 936#