



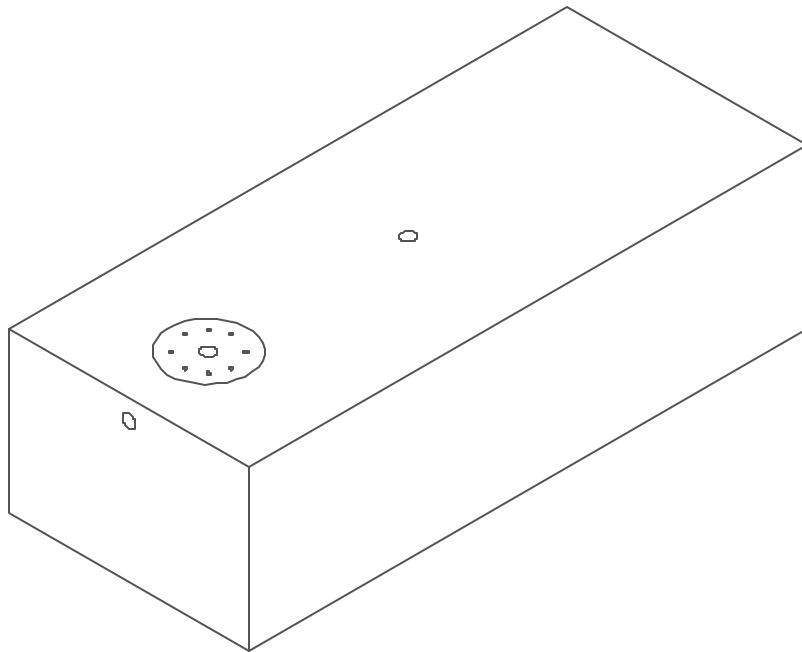
Lakelands Concrete Products, Inc.  
7520 East Main St., Lima, NY 14485  
Phone: 585-624-1990, Fax: 585-624-2102

Web: [www.lakelandsconcrete.com](http://www.lakelandsconcrete.com)  
E-mail: [sales@lakelandsconcrete.com](mailto:sales@lakelandsconcrete.com)

Date: 4/29/02

DWG: SP-PAPI

Airport PAPI Bases  
2'-0" x 3'-0"





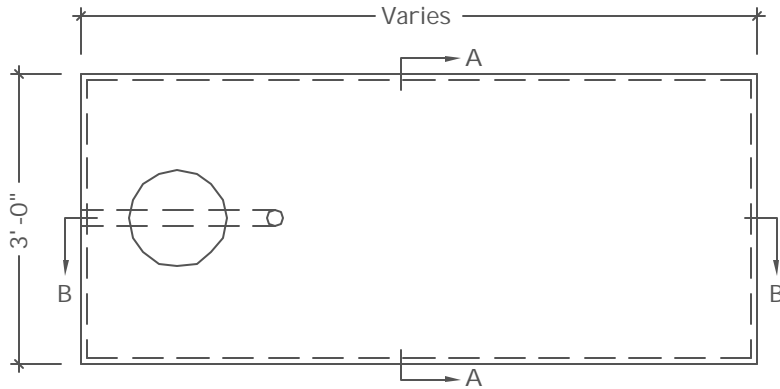
Lakelands Concrete Products, Inc.  
7520 East Main St., Lima, NY 14485  
Phone: 585-624-1990, Fax: 585-624-2102

Web: [www.lakelandsconcrete.com](http://www.lakelandsconcrete.com)  
E-mail: [sales@lakelandsconcrete.com](mailto:sales@lakelandsconcrete.com)

Date: 4/29/02

DWG: SP-PAPI

Airport PAPI Bases  
2'-0" x 3'-0"

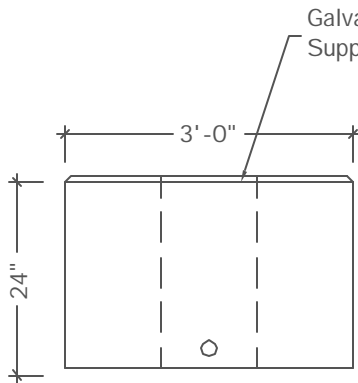


PLAN VIEW

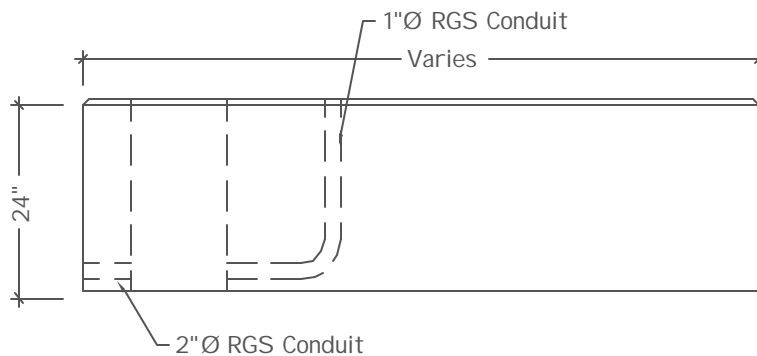
Notes:

Concrete: 5000 psi @ 28 Days  
Entrained Air: 5% - 9%  
Reinforcing:  $f_y = 60,000$  psi,  
ASTM A615

Length Of PAPI Bases Can Vary  
For The Needs Of The Project



ELEVATION VIEW 'A'



ELEVATION VIEW 'B'

Weights: