



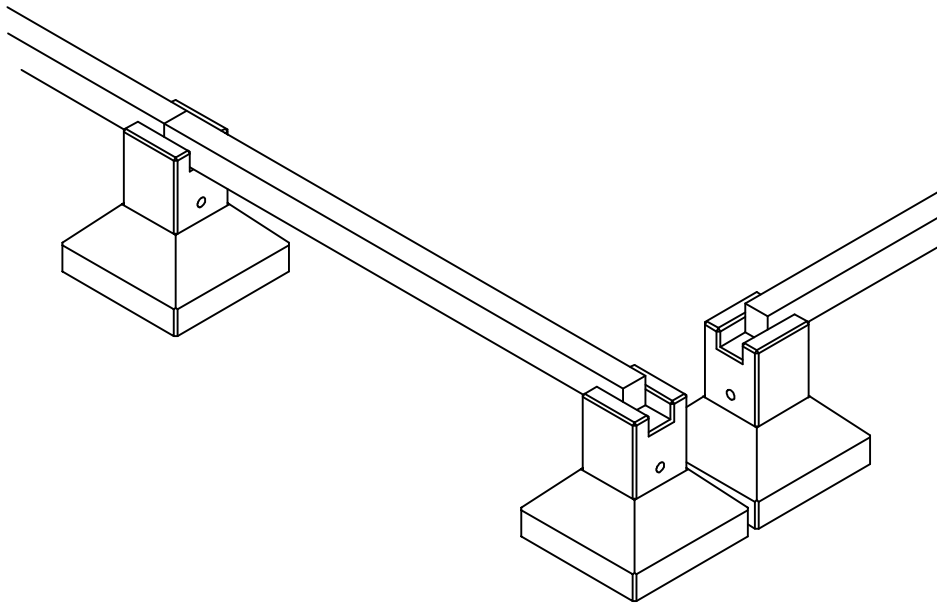
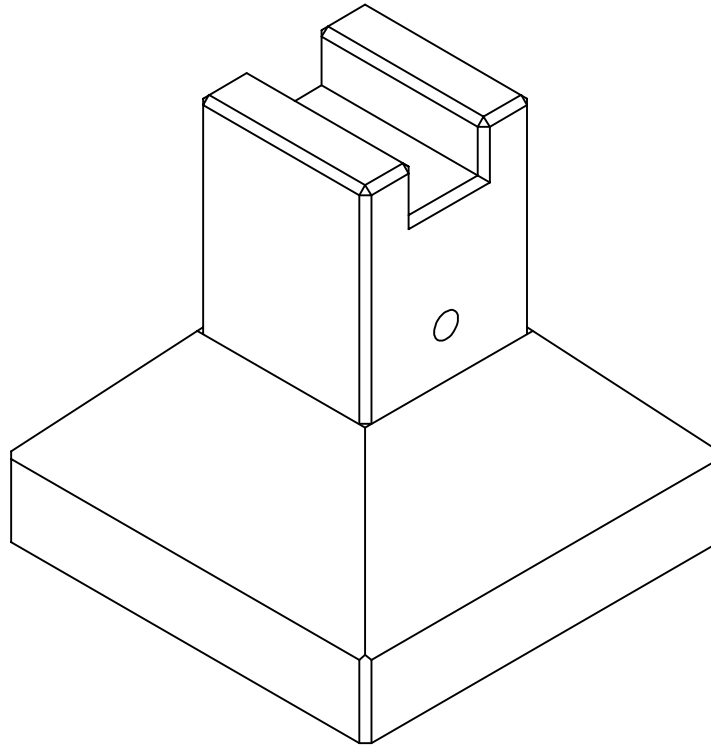
Lakelands Concrete Products, Inc.
7520 East Main St., Lima, NY 14485
Phone: 585-624-1990, Fax: 585-624-2102

Web: www.lakelandsconcrete.com
E-mail: sales@lakelandsconcrete.com

Date: 7/14/11

DWG: SP-PP

Pole Yard Pier





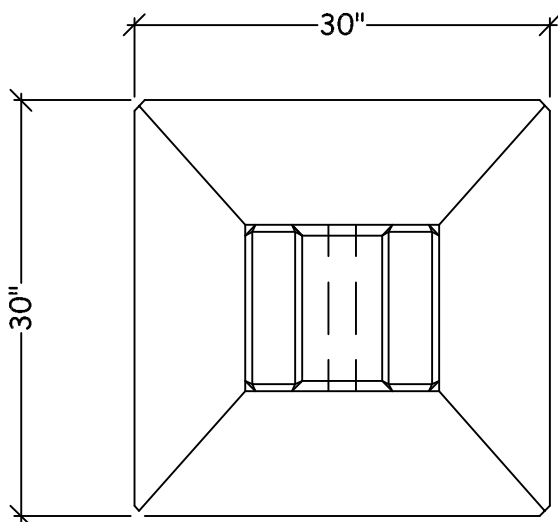
Lakelands Concrete Products, Inc.
7520 East Main St., Lima, NY 14485
Phone: 585-624-1990, Fax: 585-624-2102

Web: www.lakelandsconcrete.com
E-mail: sales@lakelandsconcrete.com

Date: 7/14/11

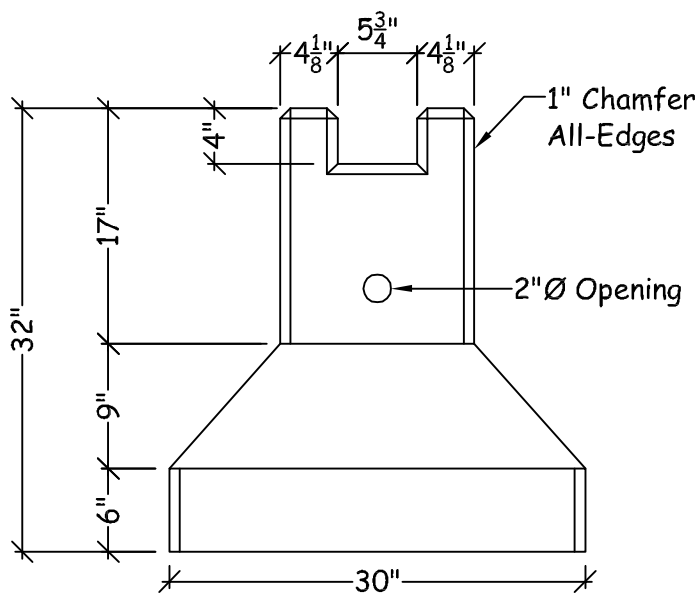
DWG: SP-PP

Pole Yard Pier

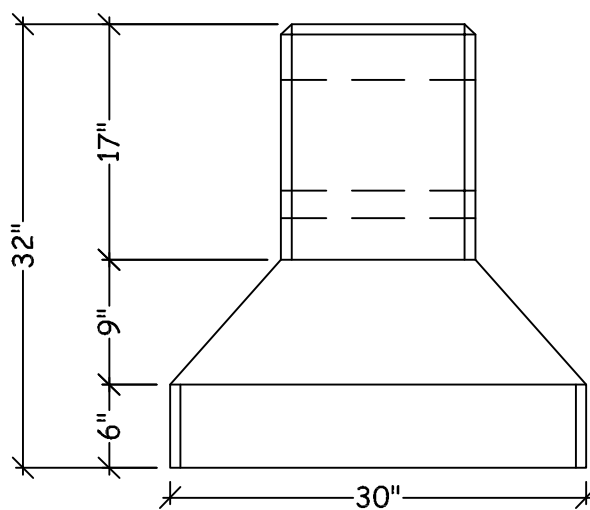


PLAN VIEW

Specifications:
Design Criteria: 5000 Psi @28 Days
Entrained Air: 5% - 9%
Reinforcement: BAR-ASTM A615 GR60
WWR-ASTM A185/A497 GR65



ELEVATION VIEW



ELEVATION VIEW

Weights:
Pole Pier: 1073 lbs