



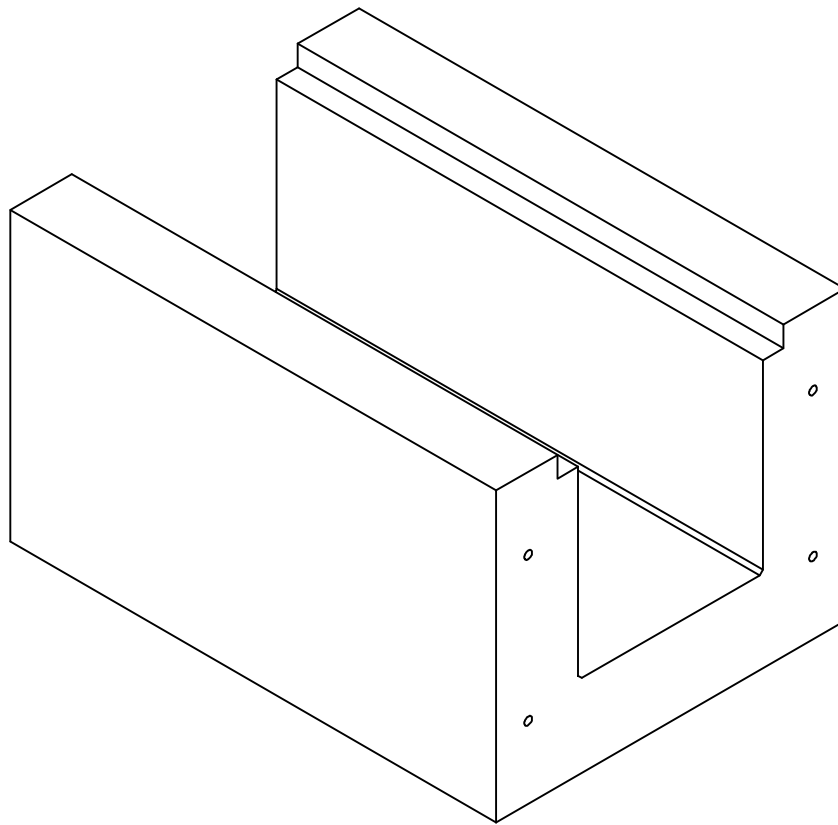
Lakelands Concrete Products, Inc.
7520 East Main St., Lima, NY 14485
Phone: 585-624-1990, Fax: 585-624-2102

Web: www.lakelandsconcrete.com
E-mail: sales@lakelandsconcrete.com

Date: 7/12/11

DWG: SP-TDI

Transverse Drainage Interceptor





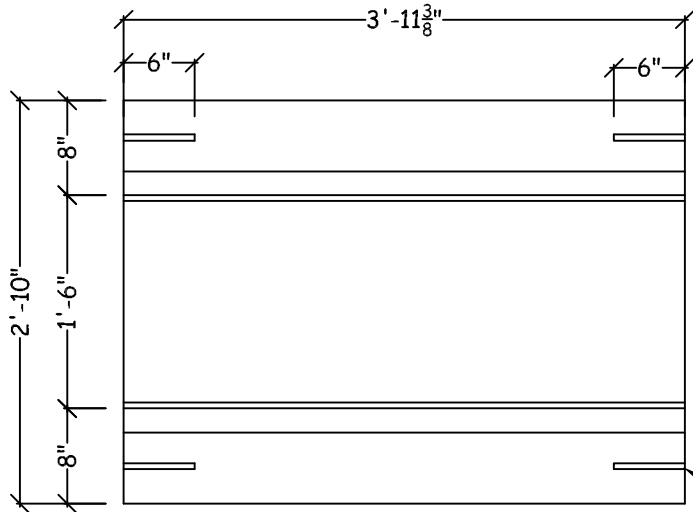
Lakelands Concrete Products, Inc.
 7520 East Main St., Lima, NY 14485
 Phone: 585-624-1990, Fax: 585-624-2102

Web: www.lakelandsconcrete.com
 E-mail: sales@lakelandsconcrete.com

Date: 7/12/11

DWG: SP-TDI

Transverse Drainage Interceptor



PLAN VIEW

Specifications:

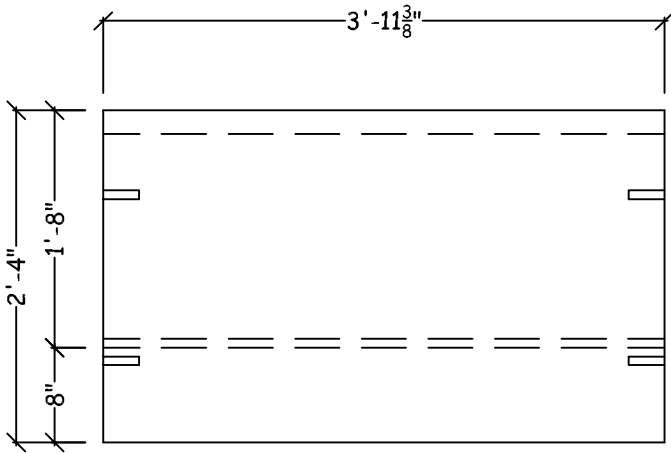
Design Criteria: 5000 Psi @28 Days

Entrained Air: 5% - 9%

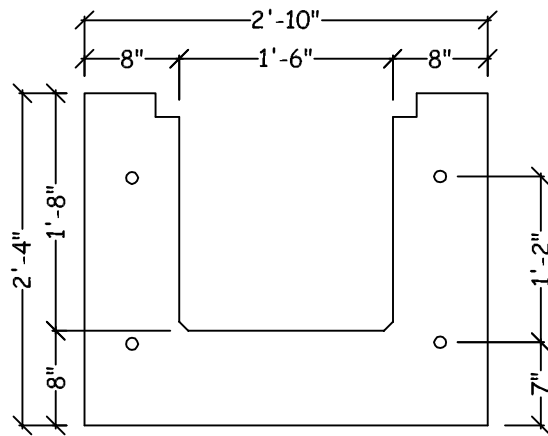
Design Loading: AASHTO HS20-44 With
 Less Than 2'-0" Earth Cover

Reinforcement: BAR-ASTM A615 GR60
 WWR-ASTM A185/A497 GR65

3/4" Dia Sleeves x 6"
 Depth - 4 per Unit



ELEVATION VIEW



ELEVATION VIEW

Weights:
 1 Section: 2250#