



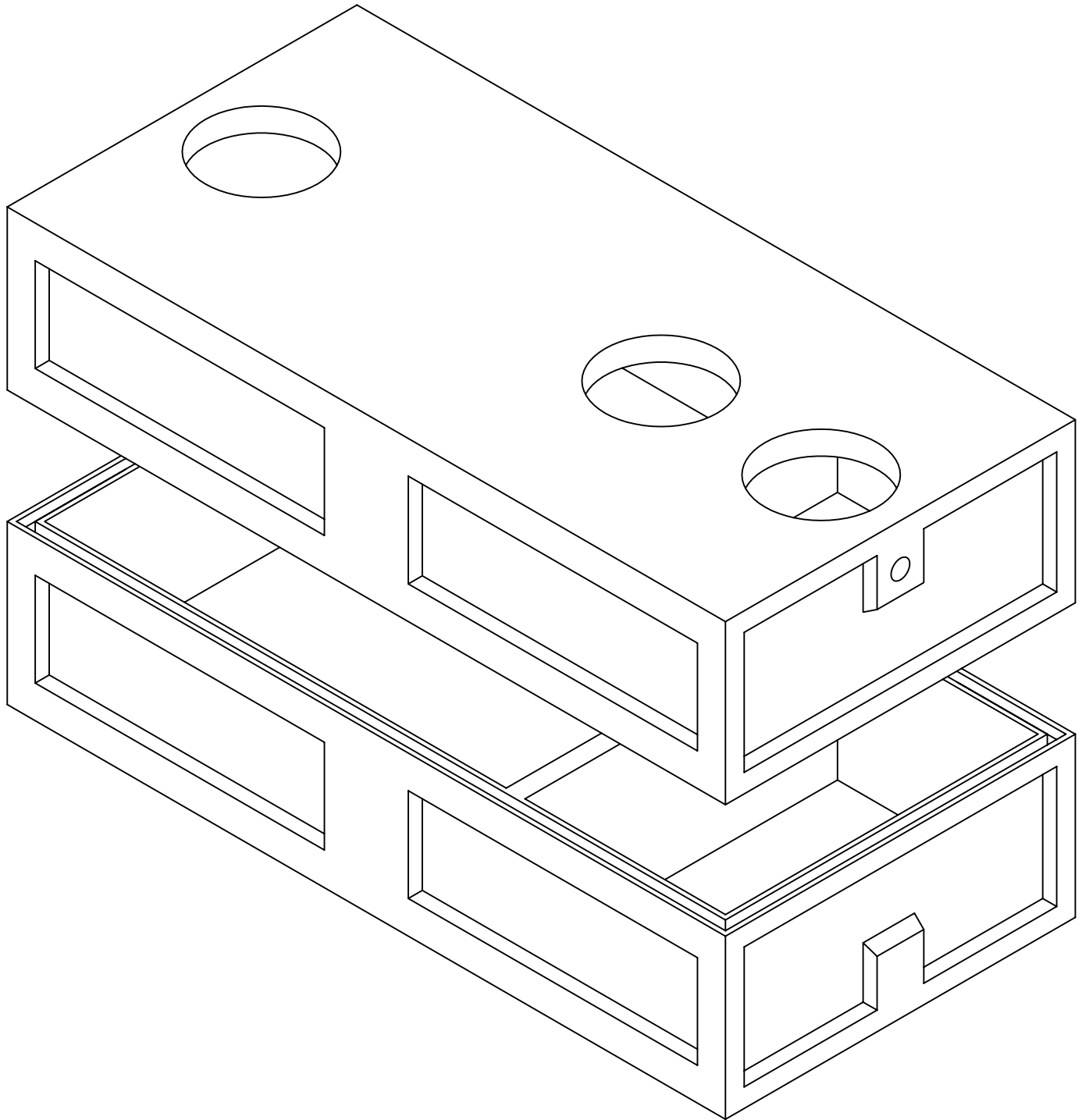
Lakelands Concrete Products, Inc.  
7520 East Main St., Lima, NY 14485  
Phone: 585-624-1990, Fax: 585-624-2102

Web: [www.lakelandsconcrete.com](http://www.lakelandsconcrete.com)  
E-mail: [sales@lakelandsconcrete.com](mailto:sales@lakelandsconcrete.com)

Date: 12/14/10

DWG: ST2200

Septic Tank  
2200 Gallon





Lakelands Concrete Products, Inc.  
 7520 East Main St., Lima, NY 14485  
 Phone: 585-624-1990, Fax: 585-624-2102

Web: www.lakelandsconcrete.com  
 E-mail: sales@lakelandsconcrete.com

Date: 12/14/10

DWG: ST2200

Septic Tank  
 2200 Gallon

ST2200T  
 ST2200B

Specifications:

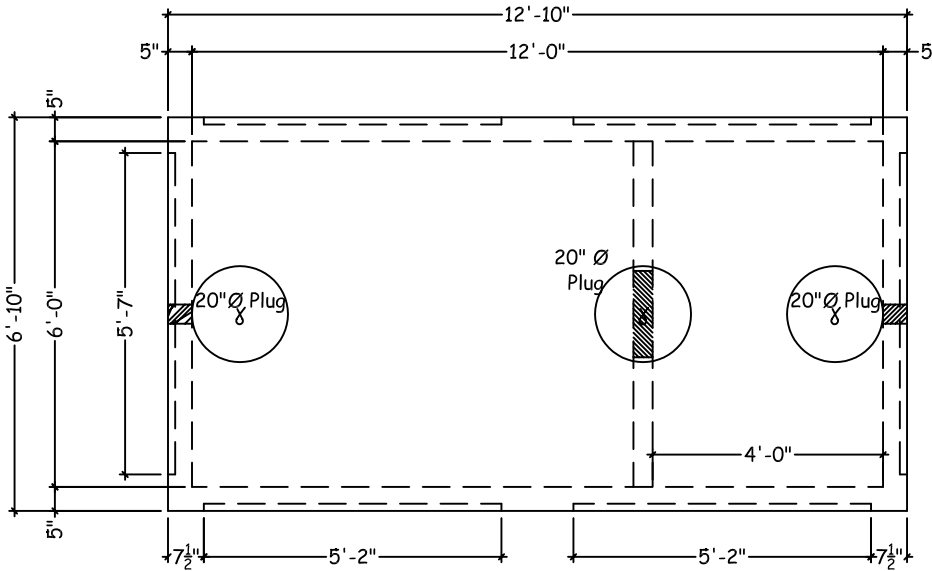
Design Criteria: 5000 Psi @28 Days

Entrained Air: 5% - 9%

Design Loading: 300 PSF

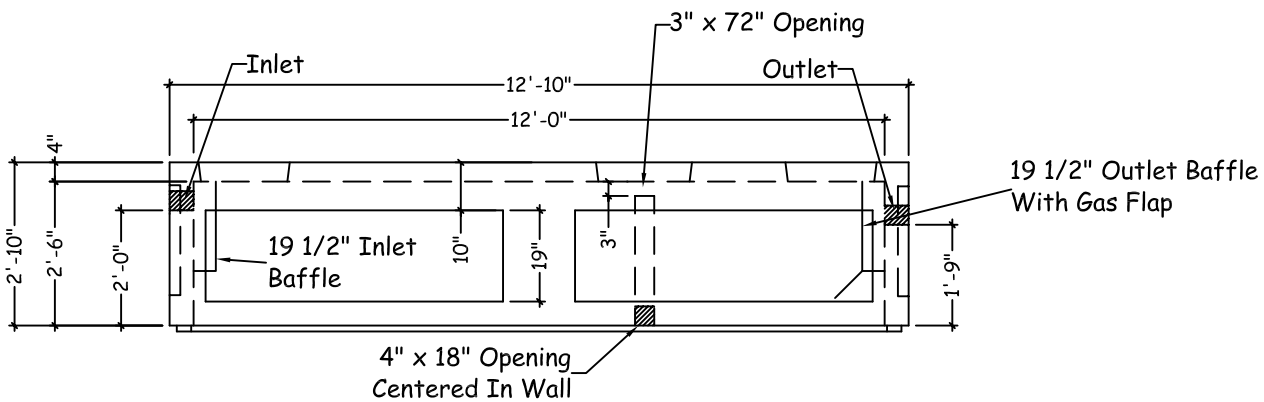
Reinforcement: BAR-ASTM A615 GR60

WWR-ASTM A185/A497 GR65



Plan View

Inlet Height: 58"  
 Outlet Height: 55"



Elevation View

Weights:  
 Top: 9000lbs  
 Base: 9000lbs