



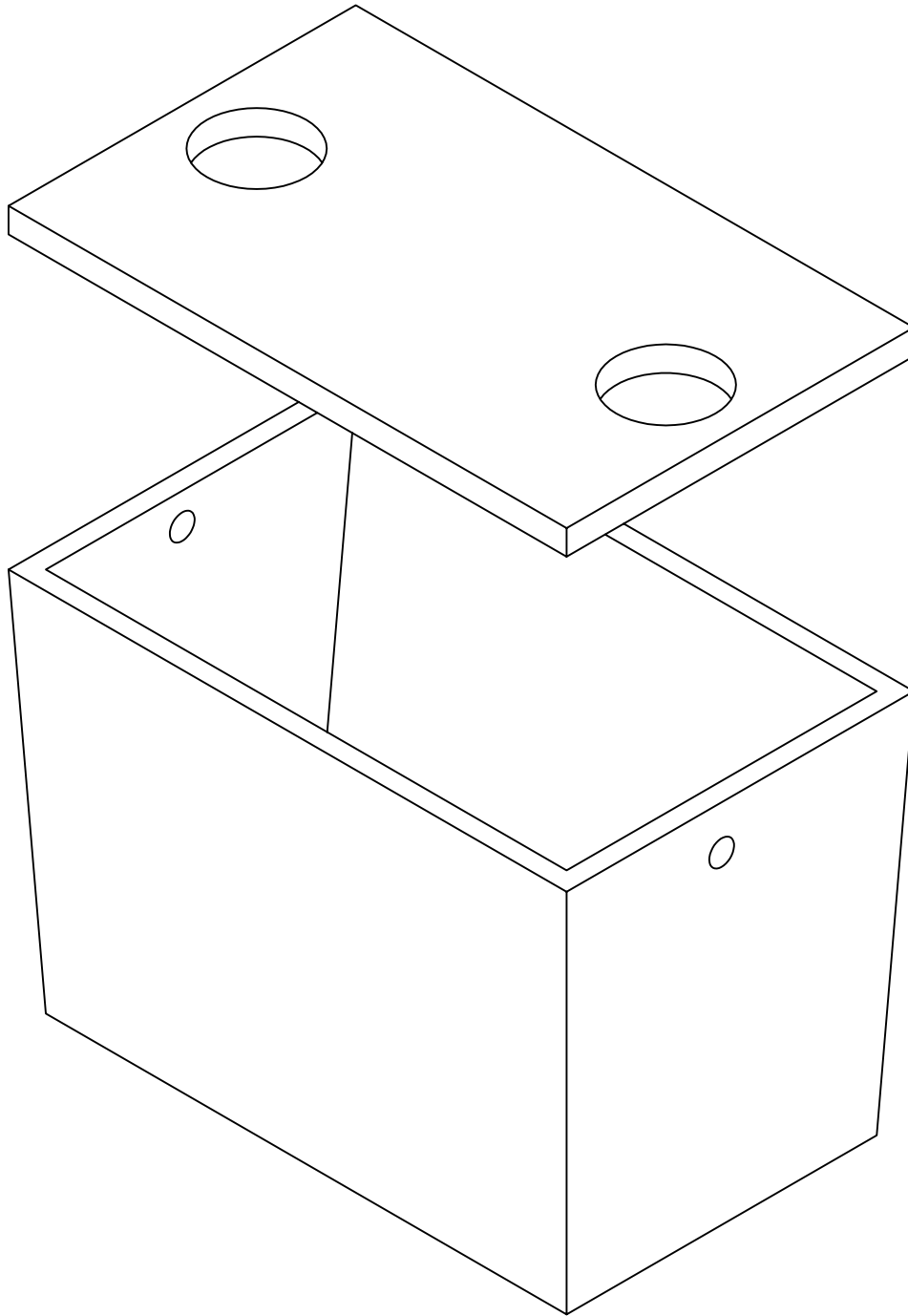
Lakelands Concrete Products, Inc.
7520 East Main St., Lima, NY 14485
Phone: 585-624-1990, Fax: 585-624-2102

Web: www.lakelandsconcrete.com
E-mail: sales@lakelandsconcrete.com

Date: 12/14/10

DWG: ST400

Septic Tank
400 Gallon





Lakelands Concrete Products, Inc.
 7520 East Main St., Lima, NY 14485
 Phone: 585-624-1990, Fax: 585-624-2102

Web: www.lakelandsconcrete.com
 E-mail: sales@lakelandsconcrete.com

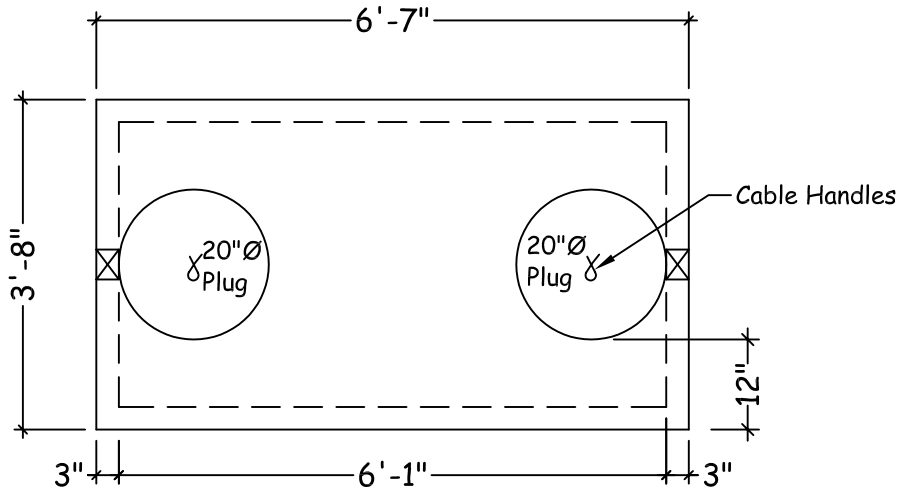
Date: 12/14/10

DWG: ST400

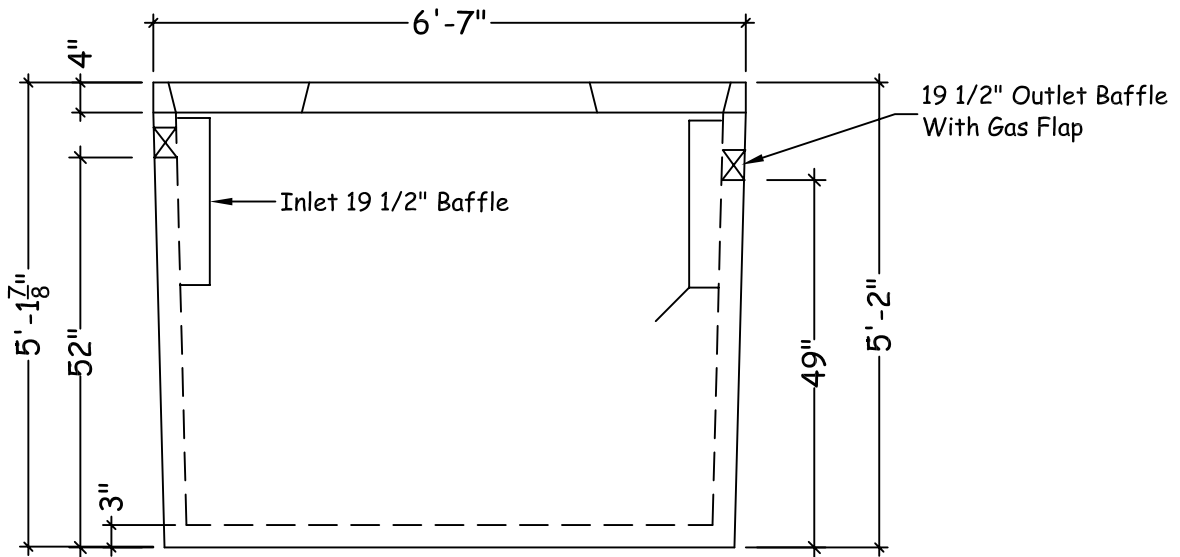
Septic Tank
 400 Gallon

ST400
 ST400C

- Specifications:
 Design Criteria: 5000 Psi @28 Days
 Entrained Air: 5% - 9%
 Design Loading: 300 PSF
 Reinforcement: BAR-ASTM A615 GR60
 WWR-ASTM A185/A497 GR65



Plan View



Elevation View

Weights:	
Cover:	1210lbs
Tank:	3870lbs