



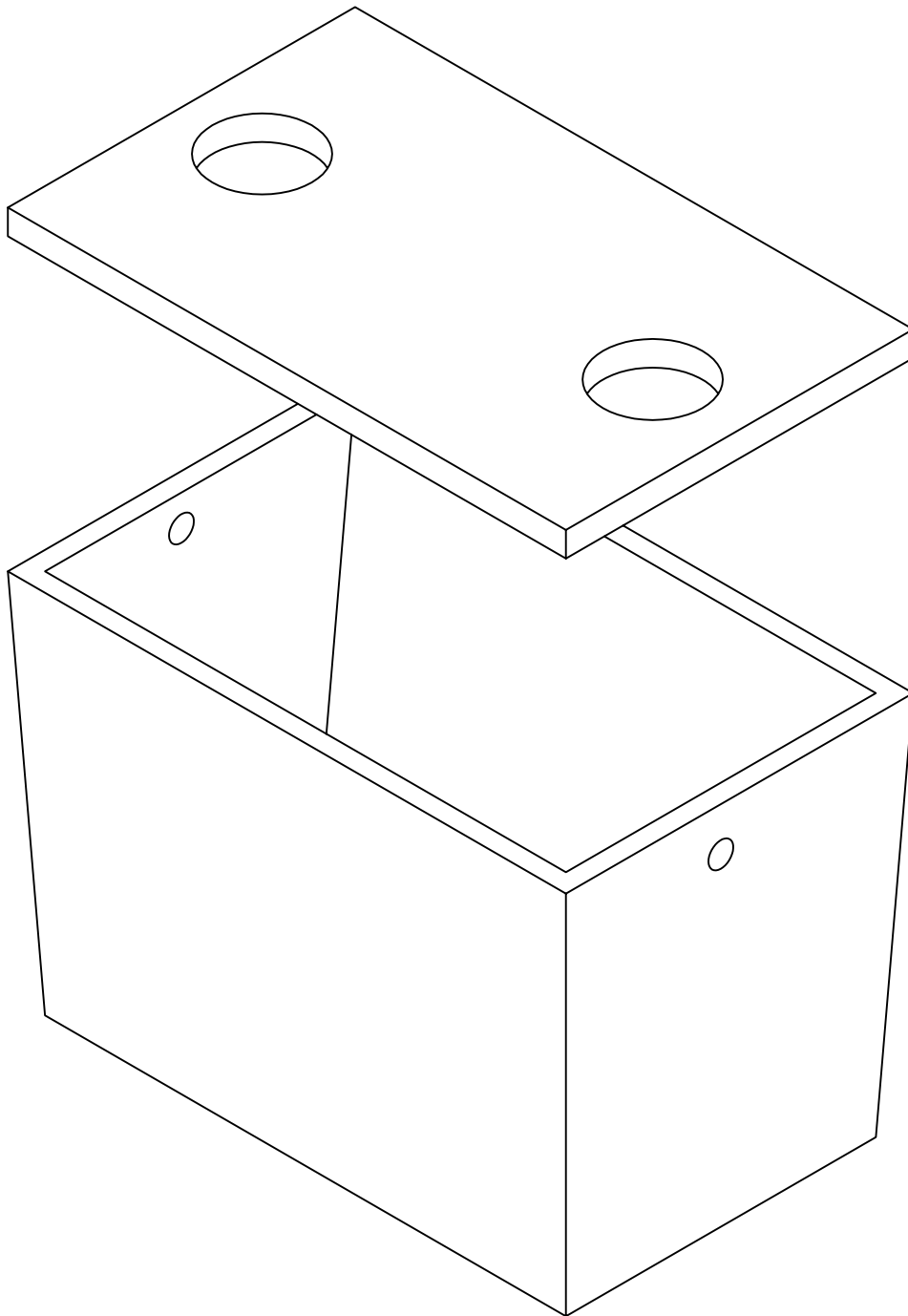
Lakelands Concrete Products, Inc.
7520 East Main St., Lima, NY 14485
Phone: 585-624-1990, Fax: 585-624-2102

Web: www.lakelandsconcrete.com
E-mail: sales@lakelandsconcrete.com

Date: 12/14/10

DWG: ST800

Septic Tank
800 Gallon





Lakelands Concrete Products, Inc.
 7520 East Main St., Lima, NY 14485
 Phone: 585-624-1990, Fax: 585-624-2102

Web: www.lakelandsconcrete.com
 E-mail: sales@lakelandsconcrete.com

Date: 12/14/10

DWG: ST800

Septic Tank
 800 Gallon

ST800
 ST800C

Specifications:

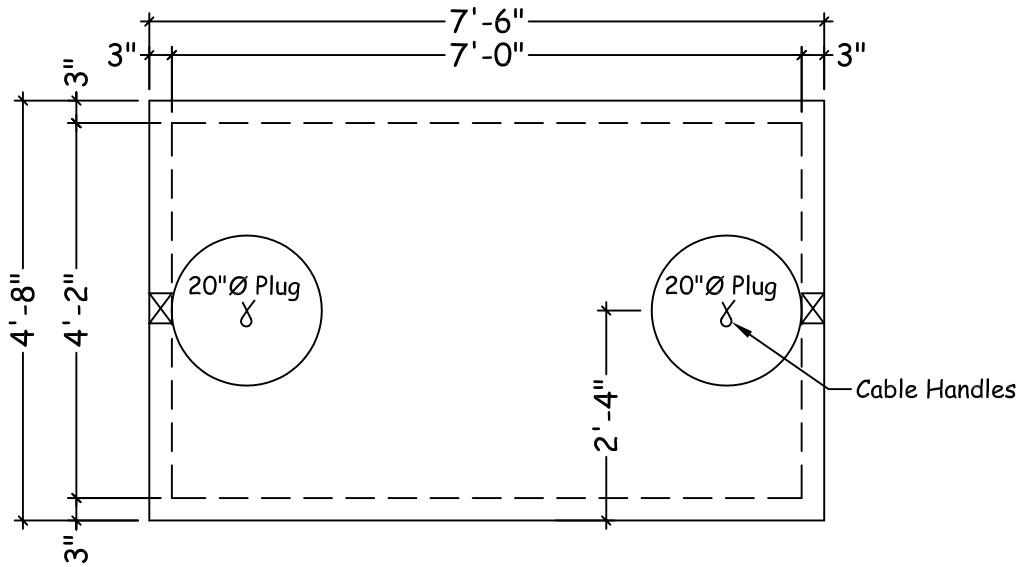
Design Criteria: 5000 Psi @28 Days

Entrained Air: 5% - 9%

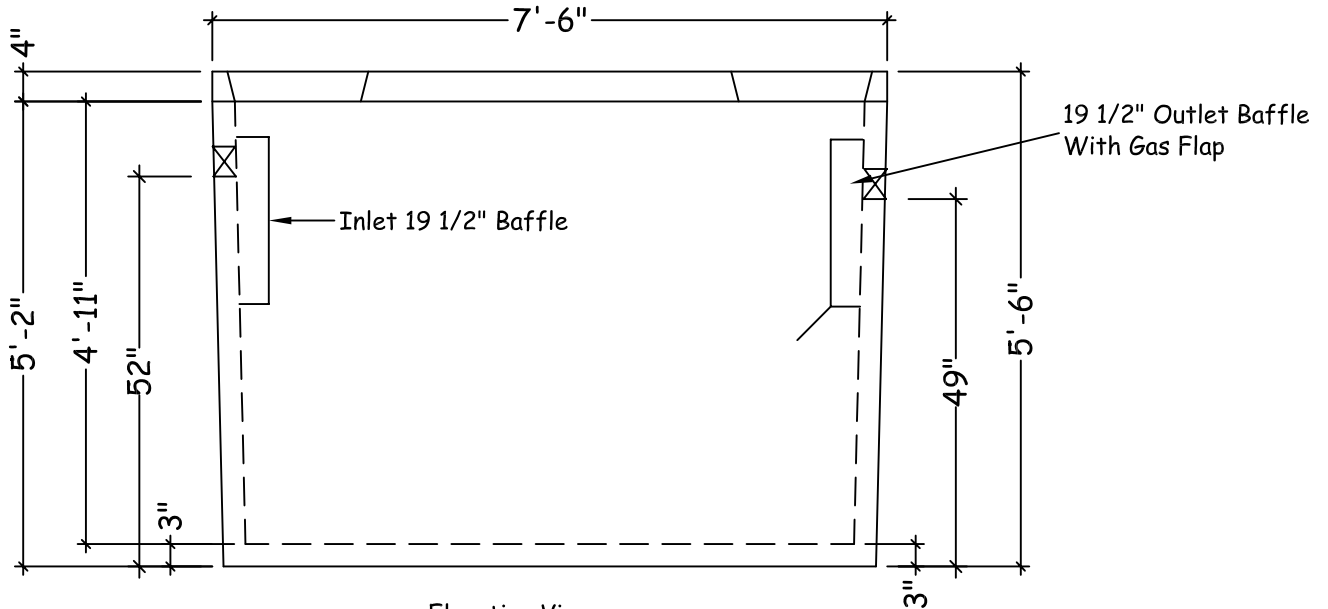
Design Loading: 300 PSF

Reinforcement: BAR-ASTM A615 GR60

WWR-ASTM A185/A497 GR65



Plan View



Elevation View

Weights:
 Cover: 1750lbs
 Tank: 5900lbs