



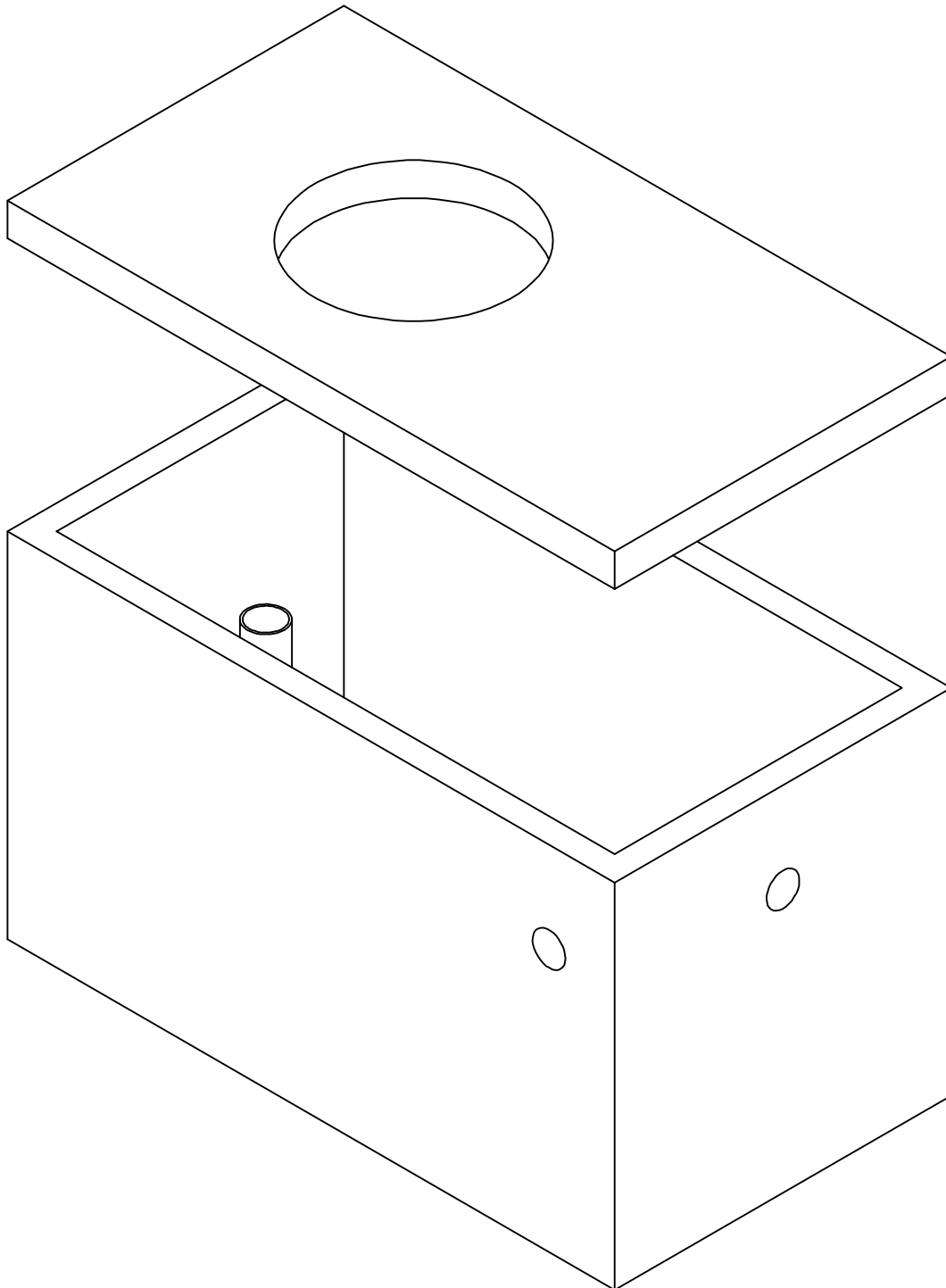
Lakelands Concrete Products, Inc.
7520 East Main St., Lima, NY 14485
Phone: 585-624-1990, Fax: 585-624-2102

Web: www.lakelandsconcrete.com
E-mail: sales@lakelandsconcrete.com

Date: 7/11/11

DWG: STFloutTank

Flout Tank





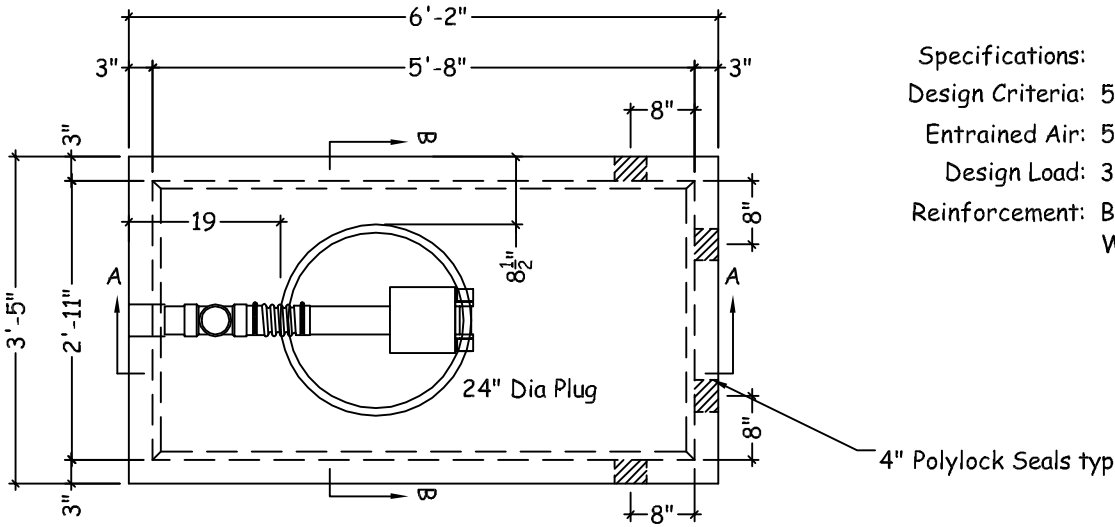
Lakelands Concrete Products, Inc.
 7520 East Main St., Lima, NY 14485
 Phone: 585-624-1990, Fax: 585-624-2102

Web: www.lakelandsconcrete.com
 E-mail: sales@lakelandsconcrete.com

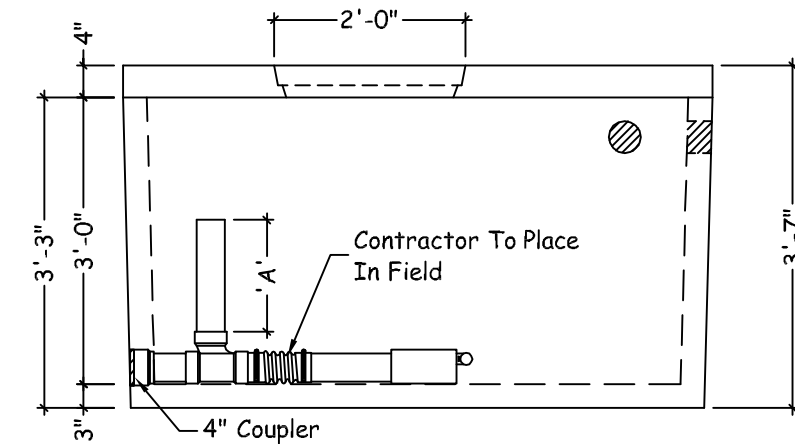
Date: 7/11/11

DWG: STFloutTank

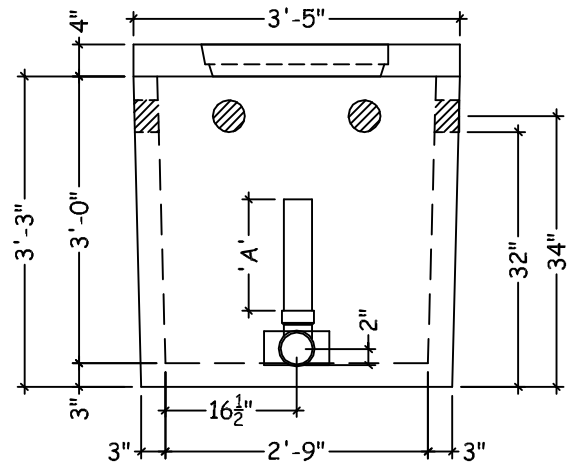
Flout Tank



PLAN VIEW



SECTION VIEW 'A'



SECTION VIEW 'B'

Specifications:

Design Criteria: 5000 Psi @28 Days

Entrained Air: 5% - 9%

Design Load: 300 PSF

Reinforcement: BAR-ASTM A615 GR60
 WWR-ASTM A185/A497 GR65

Notes:

- Dia Of Outlet: 4" SDR35 or 3" Female Pipe Thread
- Start Depth: 13" to 29"
- Stop Depth: 5"

Approx. Average Discharge Rate: 80 GPM/Outlet

Drawdown:	8" to 24"	Dimension 'A'
24" Drawdown=	228 Gal Dose	25"
22" Drawdown=	209 Gal Dose	23"
20" Drawdown=	190 Gal Dose	21"
18" Drawdown=	171 Gal Dose	19"
16" Drawdown=	152 Gal Dose	17"
14" Drawdown=	133 Gal Dose	15"
12" Drawdown=	114 Gal Dose	13"
10" Drawdown=	95 Gal Dose	11"
8" Drawdown=	76 Gal Dose	9"
1" Of Drawdown=	9.5 Gal.	

Weights:
 Box: 2837lbs
 Cover: 1045lbs