



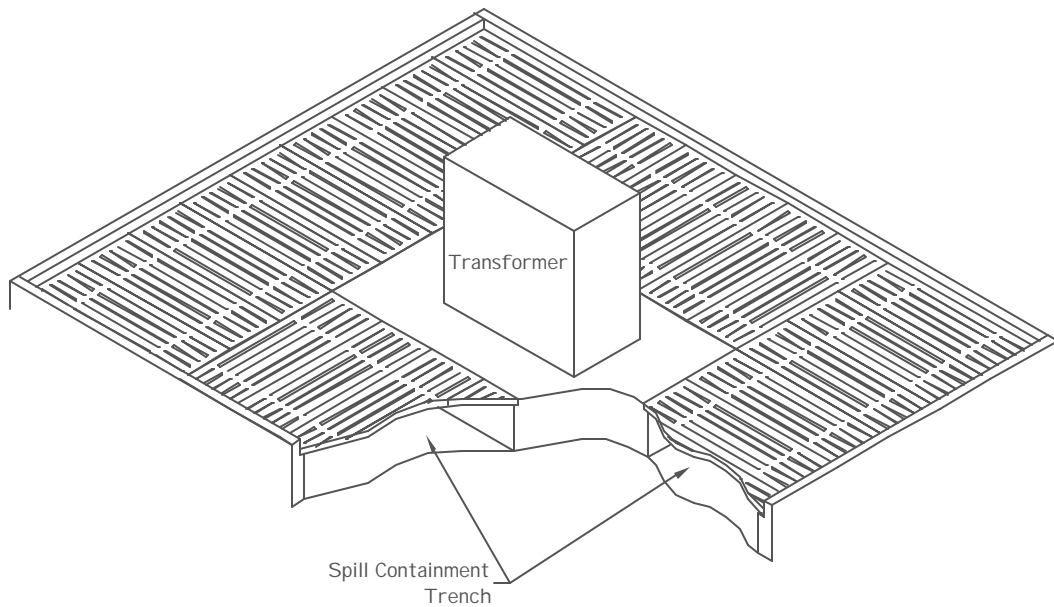
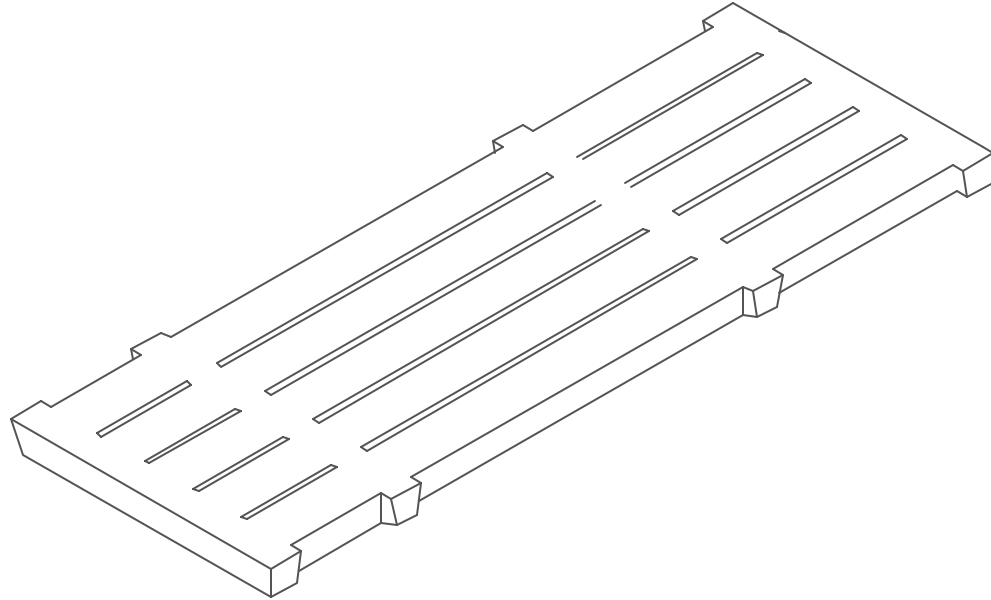
Lakelands Concrete Products, Inc.
7520 East Main St., Lima, NY 14485
Phone: 585-624-1990, Fax: 585-624-2102

Web: www.lakelandsconcrete.com
E-mail: sales@lakelandsconcrete.com

Date: 2/2/01

DWG: TP-TSCC

Slotted Transformer Spill
Containment Covers





Lakelands Concrete Products, Inc.
 7520 East Main St., Lima, NY 14485
 Phone: 585-624-1990, Fax: 585-624-2102

Web: www.lakelandsconcrete.com
 E-mail: sales@lakelandsconcrete.com

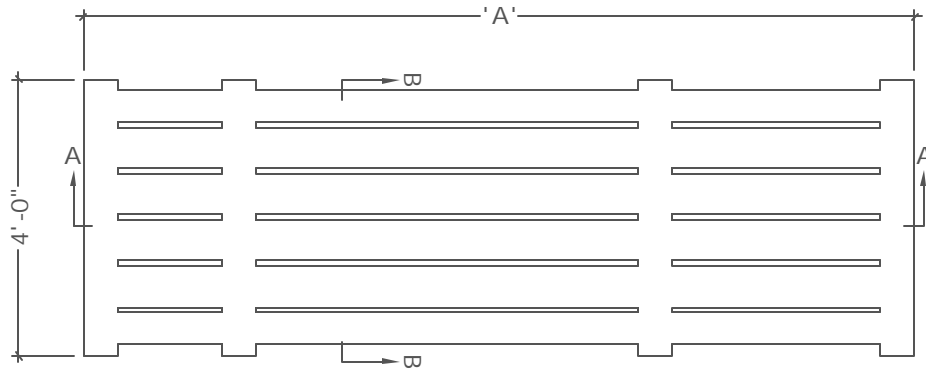
Date: 2/2/01

DWG: TP-TSCC

Slotted Transformer Spill
 Containment Covers

Specifications:

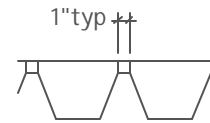
Concrete: 5000psi @ 28 Days
 Entrained Air: 5% - 9%
 Reinforcing: fy= 60,000psi ASTM A615



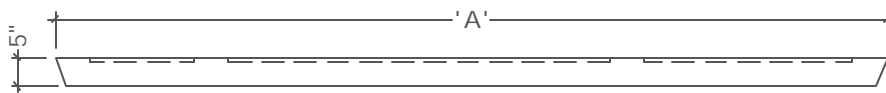
PLAN VIEW

Notes:

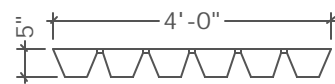
*175 lbs Per Lineal Foot



SLOT DETAIL



SECTION VIEW 'A'



SECTION VIEW 'B'

Model No.	A	Weight	Model No.	A	Weight
TP-TSCC-4	4'-0"	700#	TPTS-10	10'-0"	1750#
TP-TSCC-6	6'-0"	1050#	TPTS-12	12'-0"	2100#
TP-TSCC-8	8'-0"	1400#			