



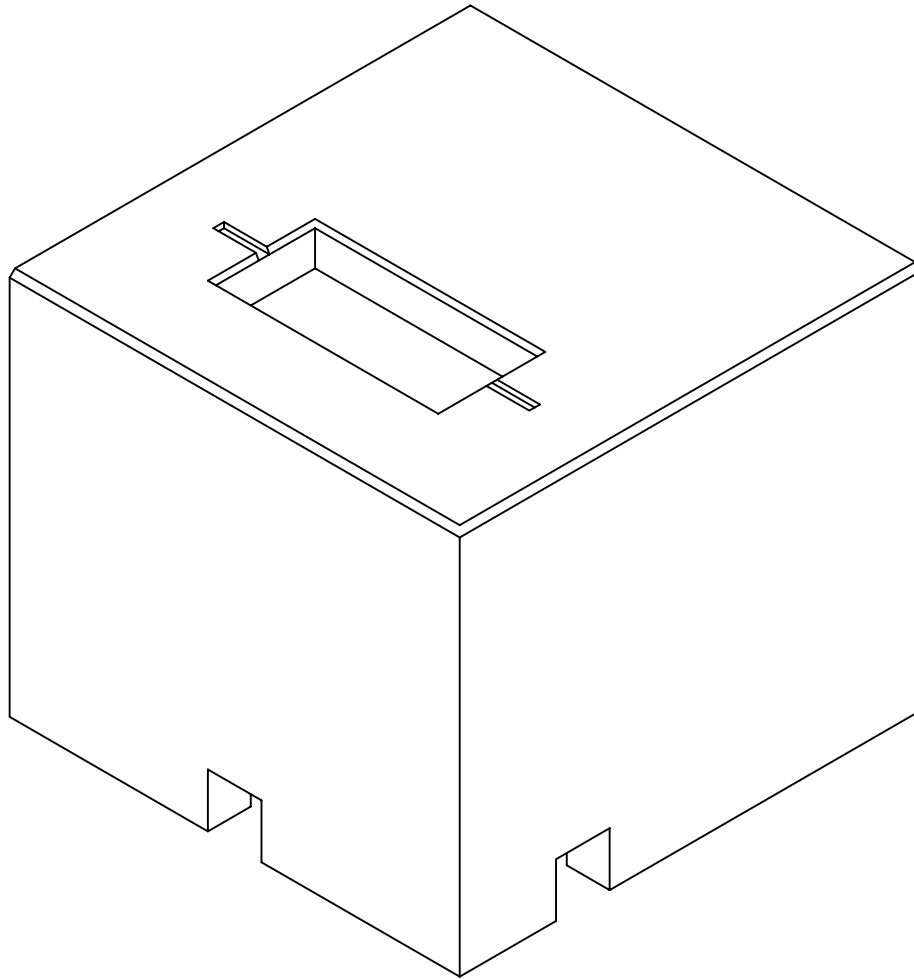
Lakelands Concrete Products, Inc.
7520 East Main St., Lima, NY 14485
Phone: 585-624-1990, Fax: 585-624-2102

Web: www.lakelandsconcrete.com
E-mail: sales@lakelandsconcrete.com

Date: 12/15/10

DWG: TP363726

Transformer Vault
3'-6" x 3'-7" x 2'-6"





Lakelands Concrete Products, Inc.
 7520 East Main St., Lima, NY 14485
 Phone: 585-624-1990, Fax: 585-624-2102

Web: www.lakelandsconcrete.com
 E-mail: sales@lakelandsconcrete.com

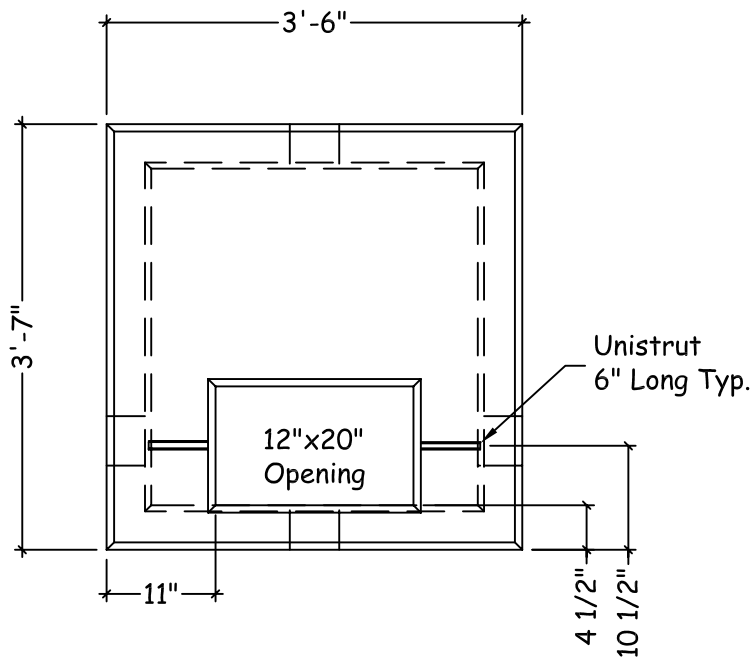
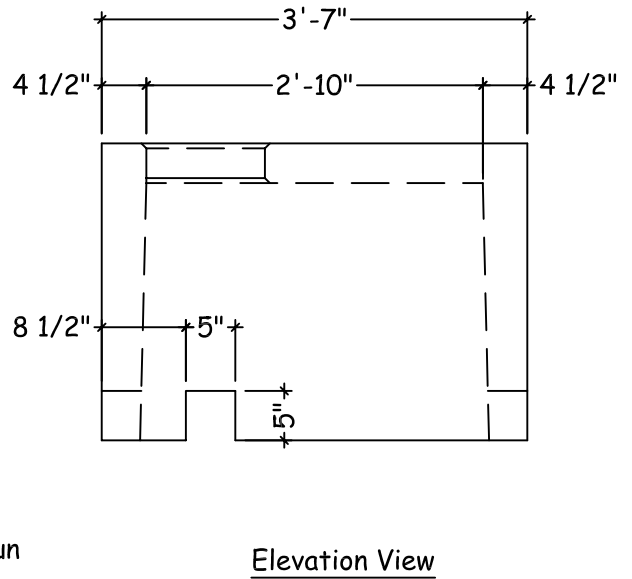
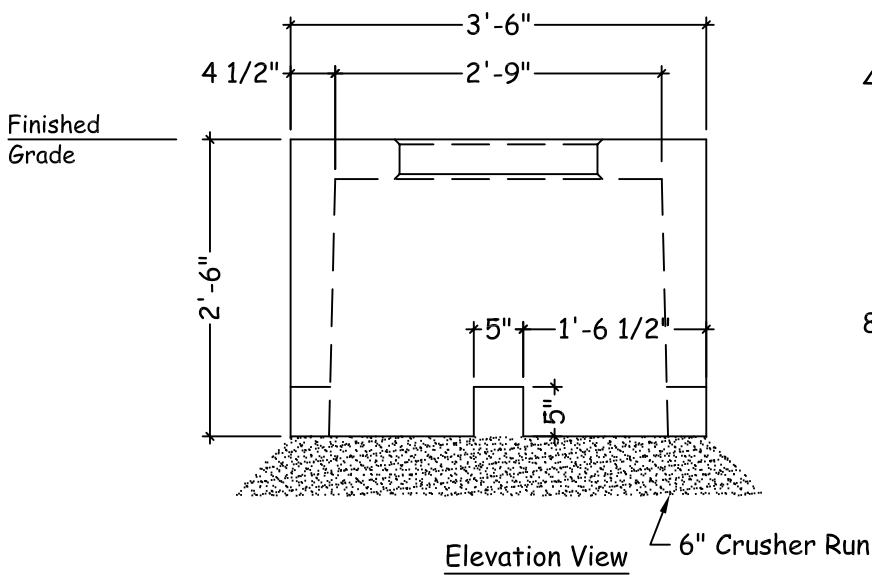
Date: 12/15/10

DWG: TP363726

Transformer Vault
 3'-6" x 3'-7" x 2'-6"

SS# 262-802-00

Specifications:
 Design Criteria: 5000 Psi @28 Days
 Entrained Air: 5% - 9%
 Reinforcement: BAR-ASTM A615 GR60
 WWR-ASTM A185/A497 GR65



Weights:
 Box: 2000lbs