



Lakelands Concrete Products, Inc.
7520 East Main St., Lima, NY 14485
Phone: 585-624-1990, Fax: 585-624-2102

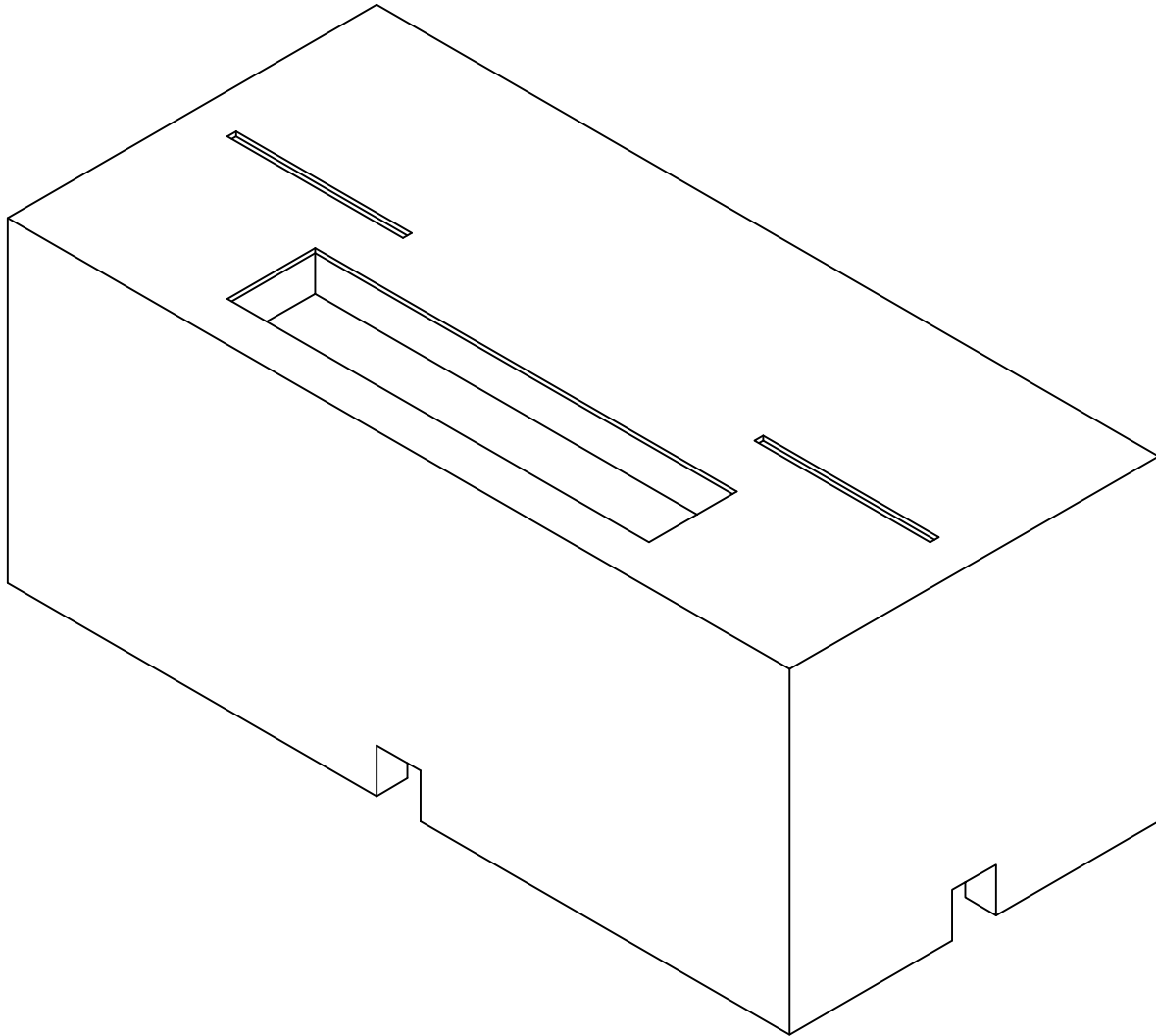
Web: www.lakelandsconcrete.com
E-mail: sales@lakelandsconcrete.com

Date: 7/12/11

DWG: TP428936B

Transformer Vault
3'-6" x 7'-5" x 3'-0"
Type B

SS# 262-732-00





Lakelands Concrete Products, Inc.
 7520 East Main St., Lima, NY 14485
 Phone: 585-624-1990, Fax: 585-624-2102

Web: www.lakelandsconcrete.com
 E-mail: sales@lakelandsconcrete.com

Date: 7/12/11

DWG: TP428936B

Transformer Vault
 3'-6" x 7'-5" x 3'-0"
 Type B

SS# 262-732-00

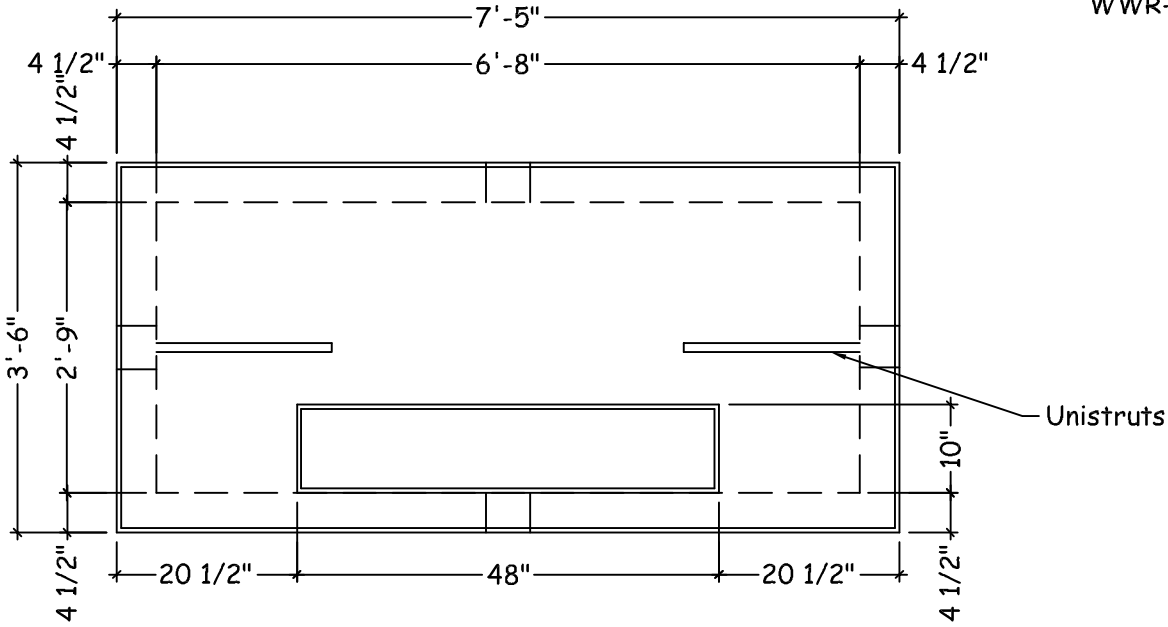
Specifications:

Design Criteria: 5000 Psi @28 Days

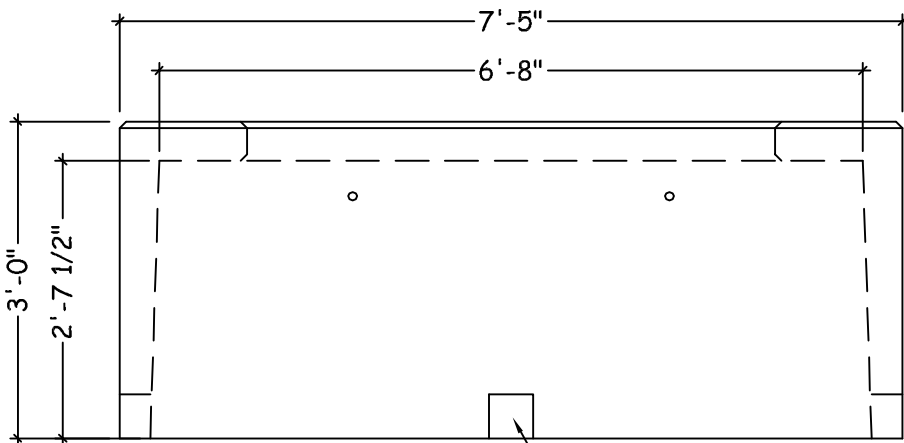
Entrained Air: 5% - 9%

Reinforcement: BAR-ASTM A615 GR60

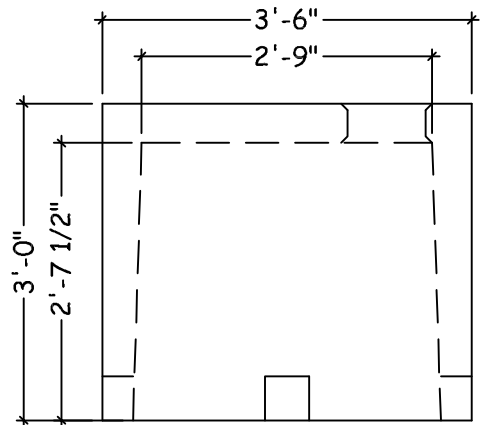
WWR-ASTM A185/A497 GR65



PLAN VIEW



ELEVATION VIEW 5" x 5" Slots
 On All 4 Sides
 (Centered In Bottom)



ELEVATION VIEW

Weights:
 Box: 3865lbs