



Lakelands Concrete Products, Inc.  
7520 East Main St., Lima, NY 14485  
Phone: 585-624-1990, Fax: 585-624-2102

Web: [www.lakelandsconcrete.com](http://www.lakelandsconcrete.com)  
E-mail: [sales@lakelandsconcrete.com](mailto:sales@lakelandsconcrete.com)

Date: 7/12/11

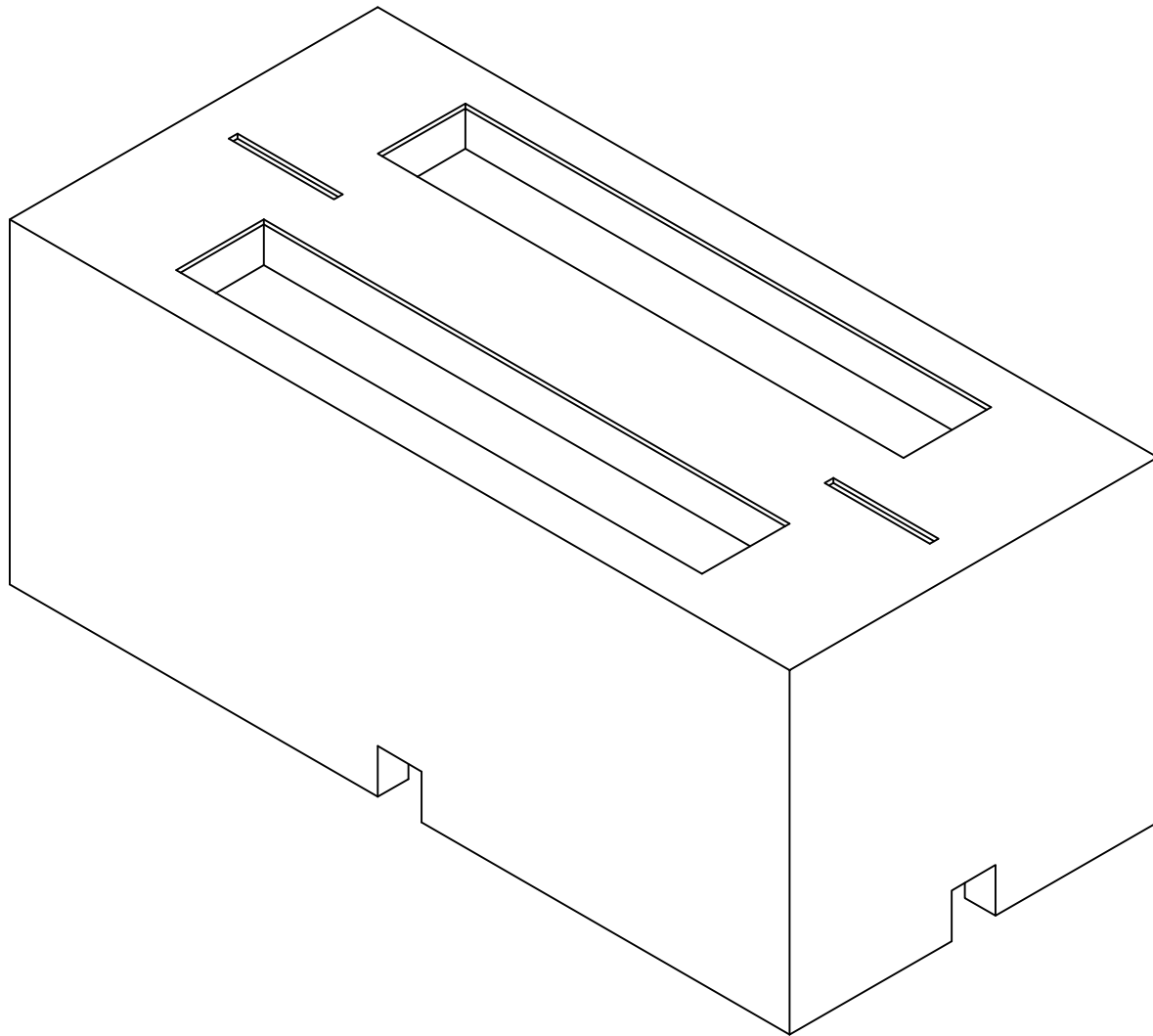
DWG: TP428936D

### Transformer Vault

3'-6" x 7'-5" x 3'-0"

Type D

SS# 262-733-00





Lakelands Concrete Products, Inc.  
 7520 East Main St., Lima, NY 14485  
 Phone: 585-624-1990, Fax: 585-624-2102

Web: www.lakelandsconcrete.com  
 E-mail: sales@lakelandsconcrete.com

Date: 7/12/11

DWG: TP428936D

**Transformer Vault**

3'-6" x 7'-5" x 3'-0"

Type D

SS# 262-733-00

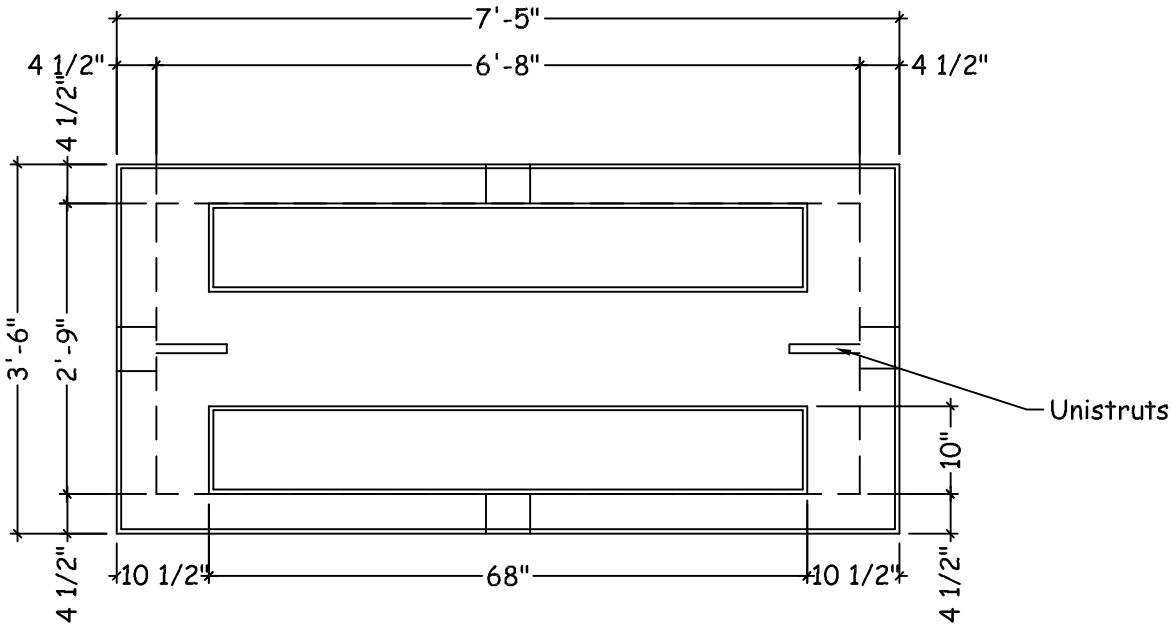
**Specifications:**

Design Criteria: 5000 Psi @28 Days

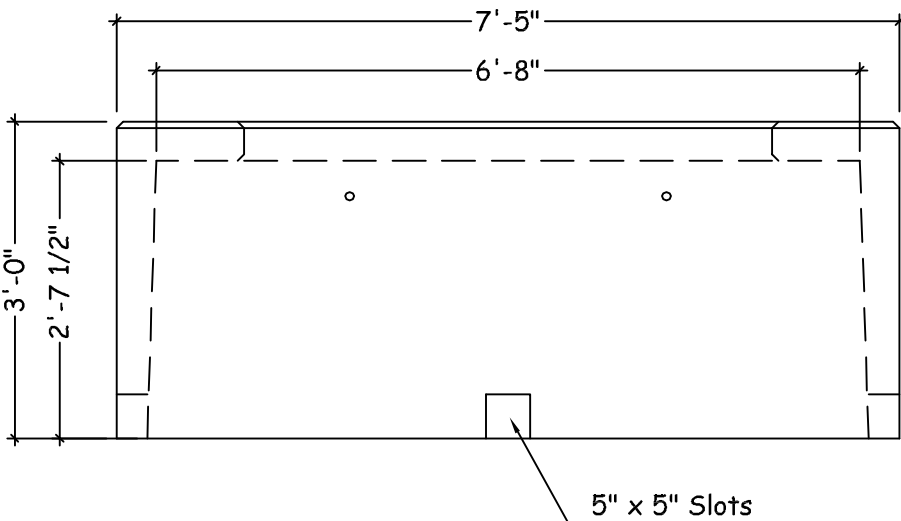
Entrained Air: 5% - 9%

Reinforcement: BAR-ASTM A615 GR60

WWR-ASTM A185/A497 GR65

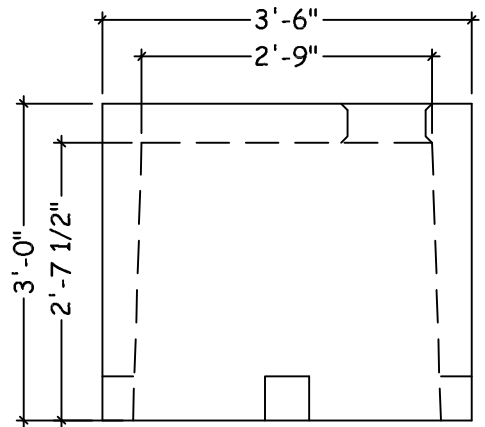


PLAN VIEW



ELEVATION VIEW

5" x 5" Slots  
 On All 4 Sides



ELEVATION VIEW

**Weights:**

Box: 3865lbs