



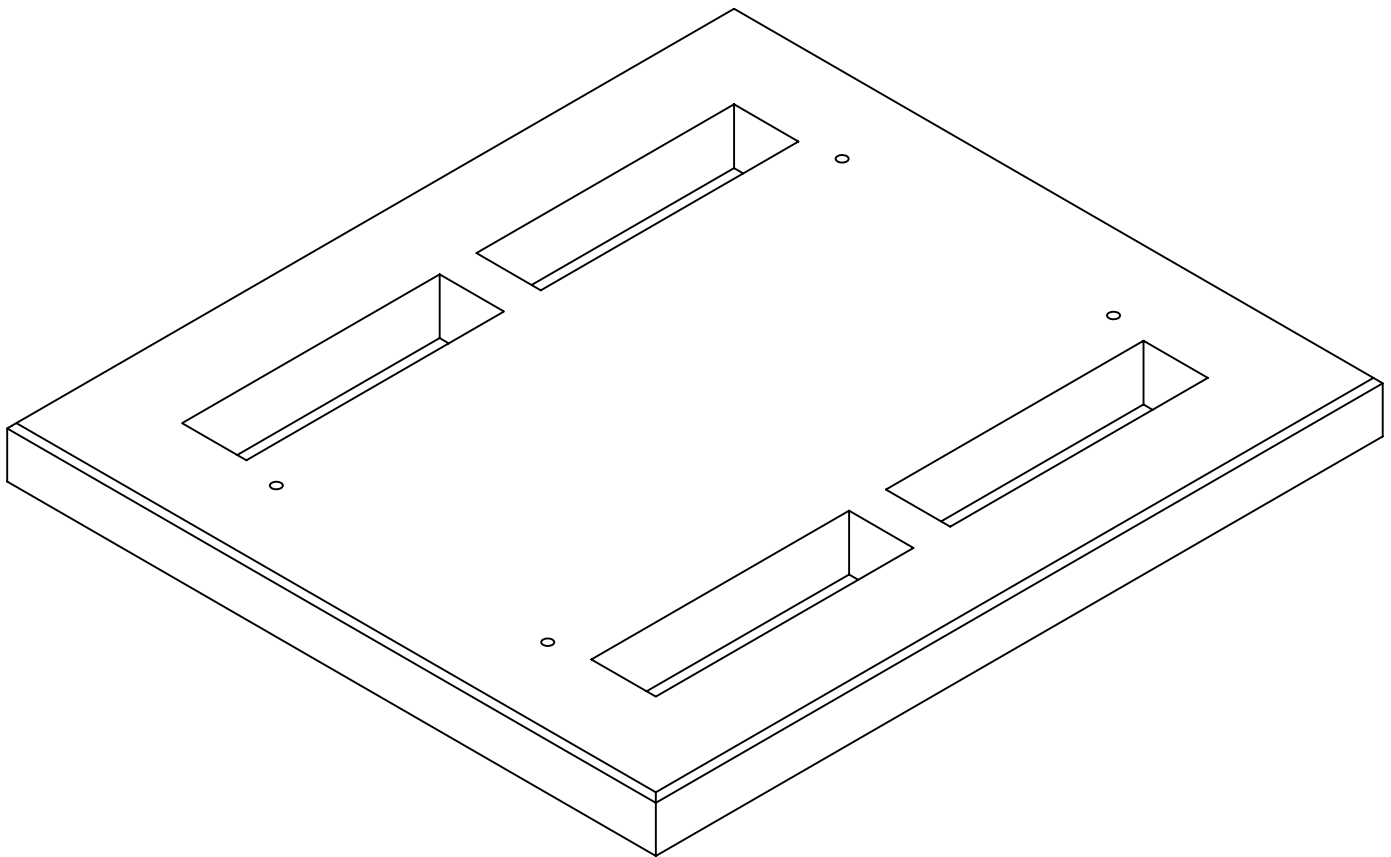
Lakelands Concrete Products, Inc.  
7520 East Main St., Lima, NY 14485  
Phone: 585-624-1990, Fax: 585-624-2102

Web: [www.lakelandsconcrete.com](http://www.lakelandsconcrete.com)  
E-mail: [sales@lakelandsconcrete.com](mailto:sales@lakelandsconcrete.com)

Date: 12/15/10

DWG: TP707906

Transformer Pad  
5'-10 1/2" x 6'-7" x 6"





Lakelands Concrete Products, Inc.  
 7520 East Main St., Lima, NY 14485  
 Phone: 585-624-1990, Fax: 585-624-2102

Web: www.lakelandsconcrete.com  
 E-mail: sales@lakelandsconcrete.com

Date: 12/15/10

DWG: TP707906

**Transformer Pad**  
 5'-10 1/2"x6'-7"x6"

TP707906

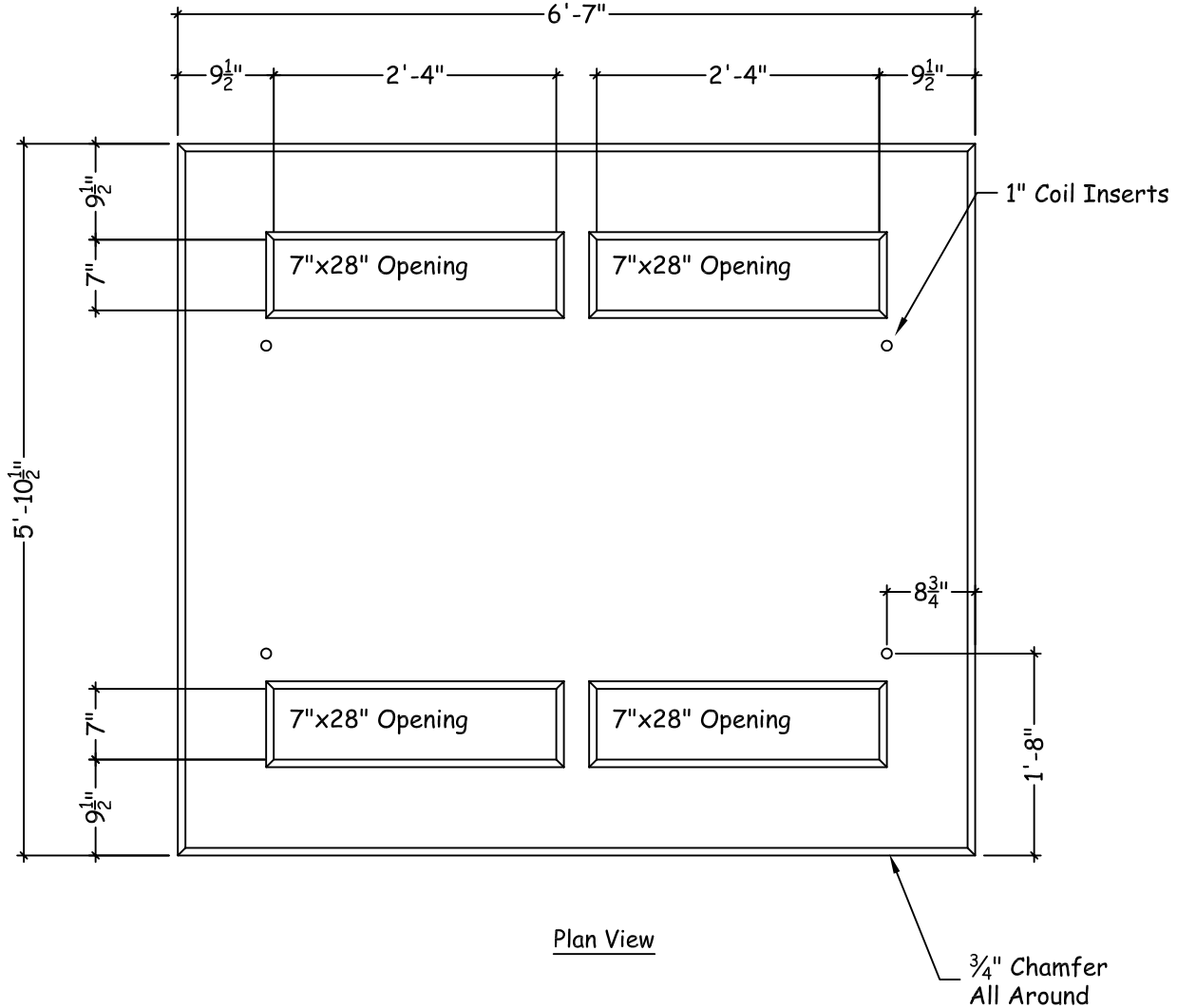
**Specifications:**

Design Criteria: 5000 Psi @28 Days

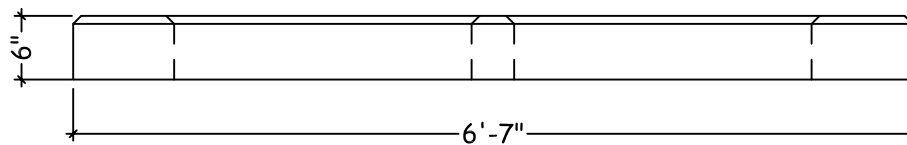
Entrained Air: 5% - 9%

Reinforcement: BAR-ASTM A615 GR60

WWR-ASTM A185/A497 GR65



Plan View



Elevation View

**Weights:**  
 Pad: 2495lbs