



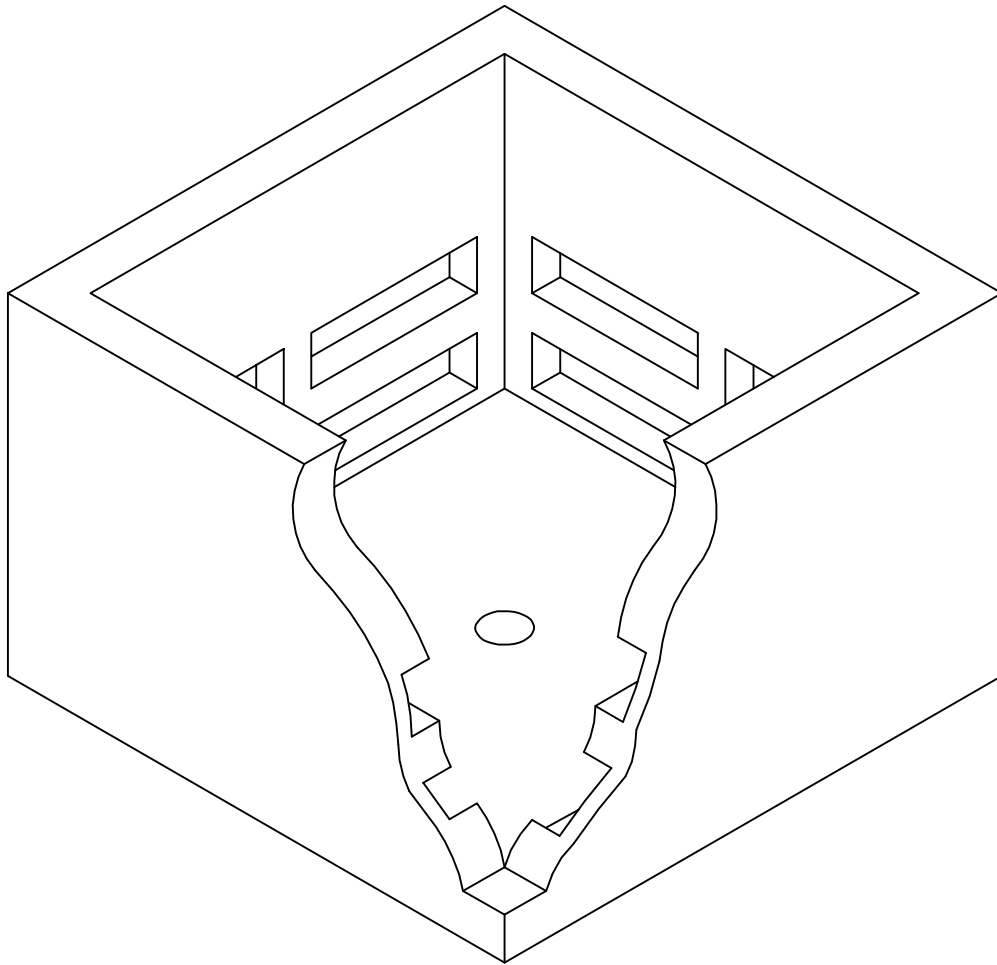
Lakelands Concrete Products, Inc.
7520 East Main St., Lima, NY 14485
Phone: 585-624-1990, Fax: 585-624-2102

Web: www.lakelandsconcrete.com
E-mail: sales@lakelandsconcrete.com

Date: 7/12/11

DWG: TPFMC-U20

PMH Switch Gear Box
75 to 1000 KVA
Fairport Municipal





Lakelands Concrete Products, Inc.
7520 East Main St., Lima, NY 14485
Phone: 585-624-1990, Fax: 585-624-2102

Web: www.lakelandsconcrete.com
E-mail: sales@lakelandsconcrete.com

Date: 7/12/11

DWG: TPFMC-U20

PMH Switch Gear Box
75 to 1000 KVA
Fairport Municipal

Specifications:

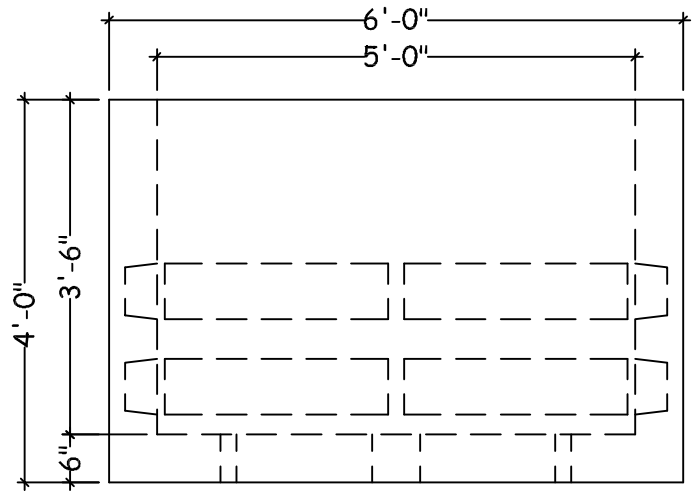
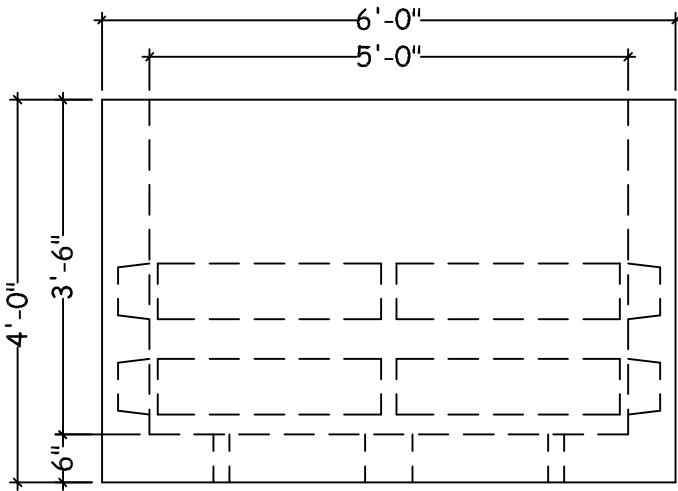
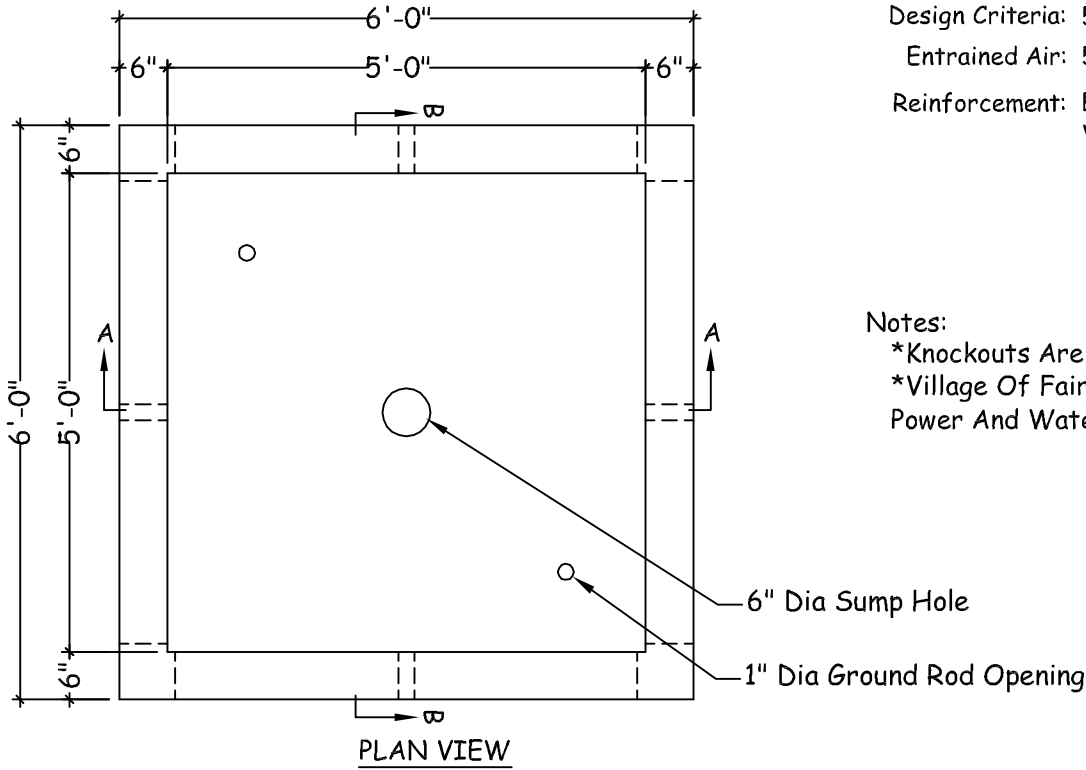
Design Criteria: 5000 Psi @28 Days

Entrained Air: 5% - 9%

Reinforcement: BAR-ASTM A615 GR60
WWR-ASTM A185/A497 GR65

Notes:

- *Knockouts Are 7" x 28"
- *Village Of Fairport Municipal Light Power And Water Systems



Weights:
Vault: 7500 lbs