



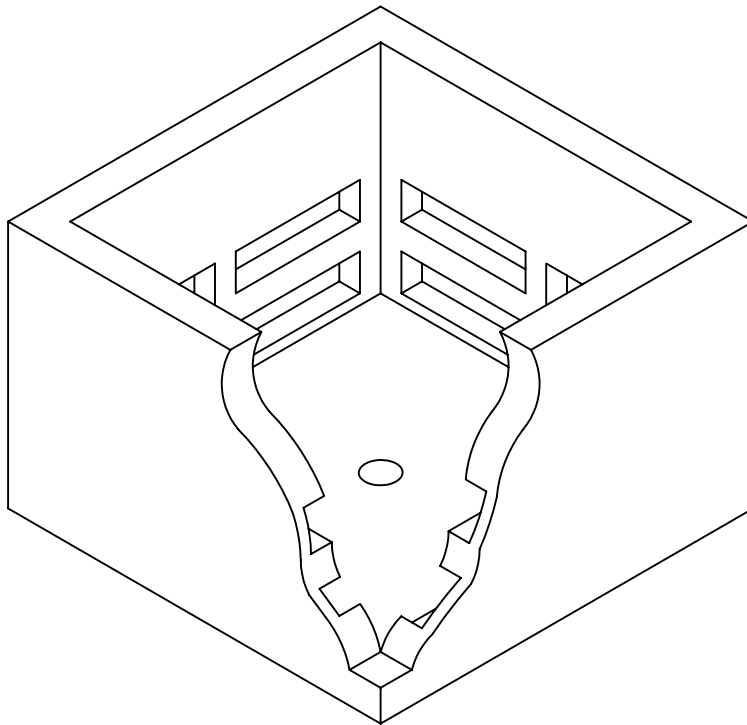
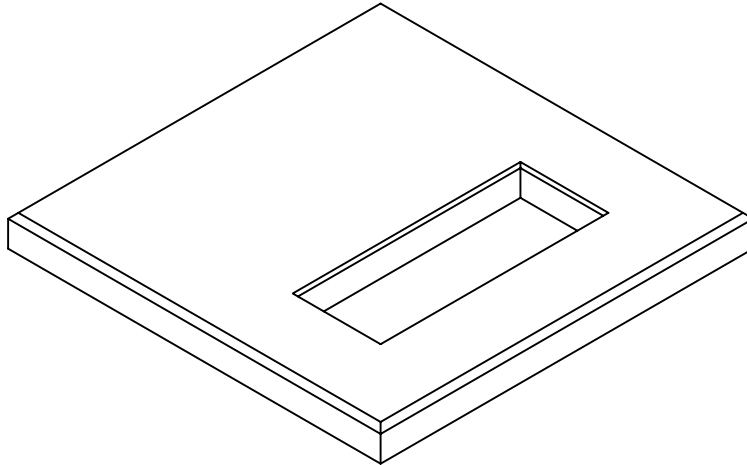
Lakelands Concrete Products, Inc.
7520 East Main St., Lima, NY 14485
Phone: 585-624-1990, Fax: 585-624-2102

Web: www.lakelandsconcrete.com
E-mail: sales@lakelandsconcrete.com

Date: 12/15/10

DWG: TPFMC

Fairport Municipal Standard
Precast Transformer
Pad & Vault





Lakelands Concrete Products, Inc.
 7520 East Main St., Lima, NY 14485
 Phone: 585-624-1990, Fax: 585-624-2102

Web: www.lakelandsconcrete.com
 E-mail: sales@lakelandsconcrete.com

Date: 12/15/10

DWG: TPFMC

Fairport Municipal Standard
 Precast Transformer
 Pad & Vault

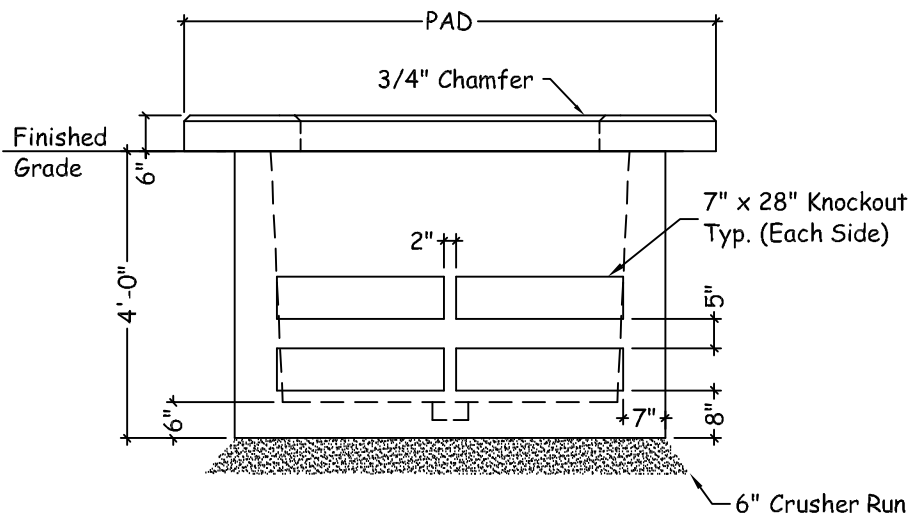
TPFMC-U20
 FMCP33
 FMCP34

Specifications:

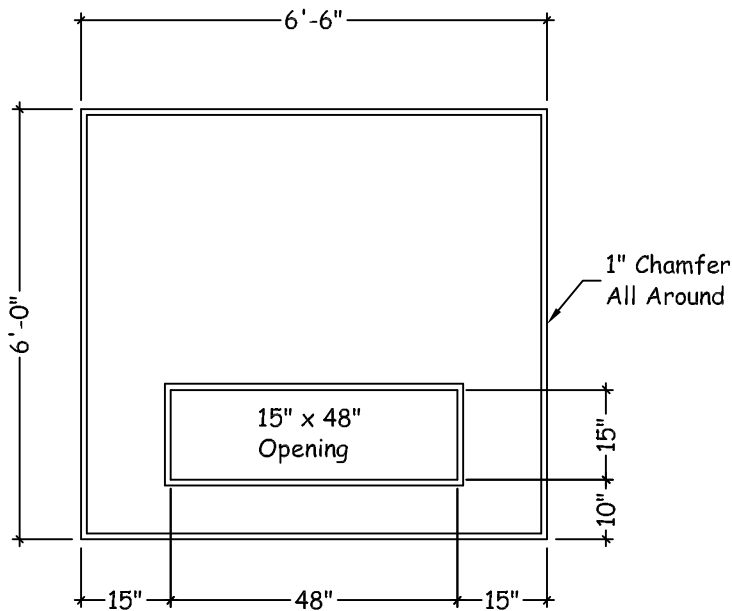
Design Criteria: 5000 Psi @28 Days

Entrained Air: 5% - 9%

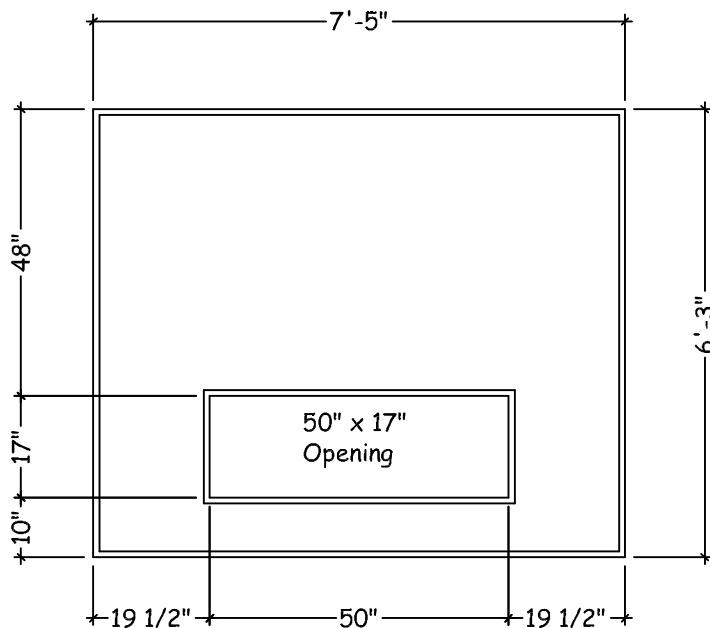
Reinforcement: BAR-ASTM A615 GR60
 WWR-ASTM A185/A497 GR65



Elevation View
 TPFMC-U20(TPMC100)



Plan View
 FMCP33
 75-500 KVA



Plan View
 FMCP34
 500 KVA

Weights:	
MC100:	7390lbs
FMCP33:	2550lbs
FMCP34:	3100lbs