



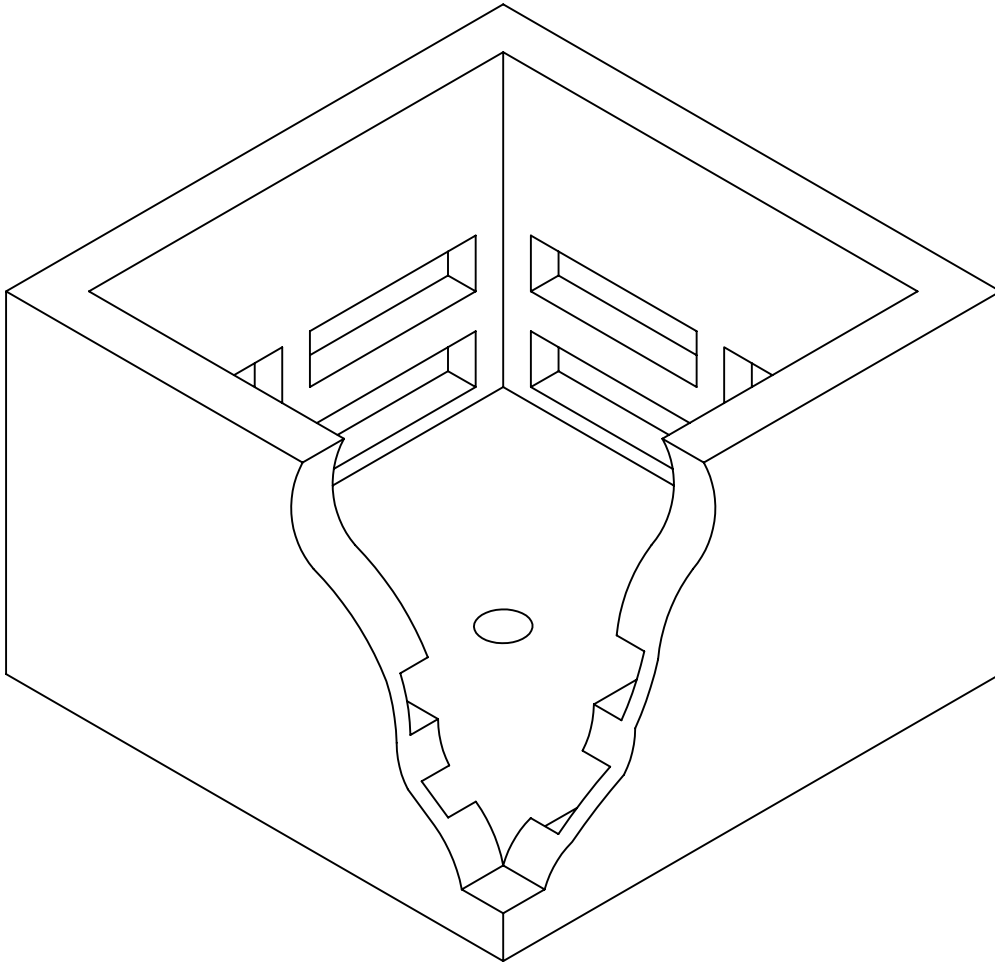
Lakelands Concrete Products, Inc.  
7520 East Main St., Lima, NY 14485  
Phone: 585-624-1990, Fax: 585-624-2102

Web: [www.lakelandsconcrete.com](http://www.lakelandsconcrete.com)  
E-mail: [sales@lakelandsconcrete.com](mailto:sales@lakelandsconcrete.com)

Date: 12/15/10

DWG: TPMC100

RG&E Standard  
PMH Switch Gear  
75 to 1000 KVA





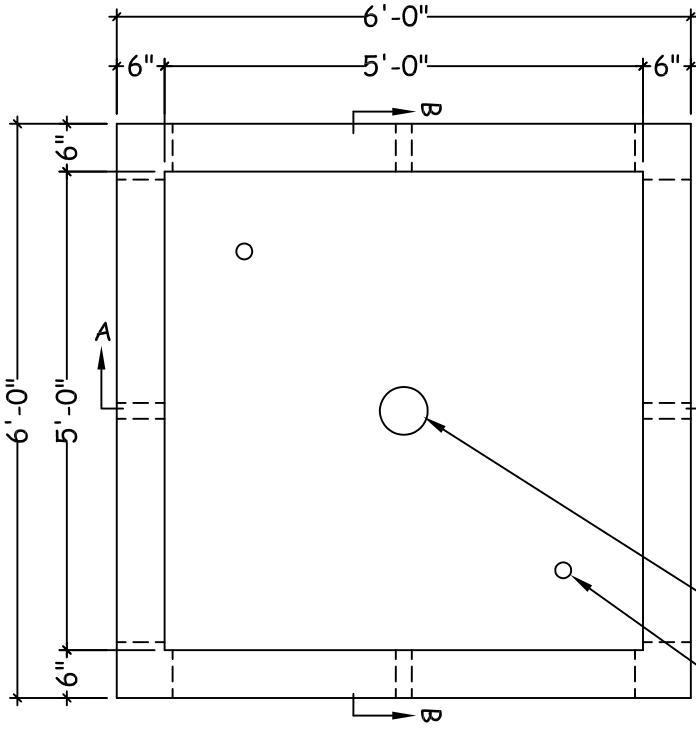
Lakelands Concrete Products, Inc.  
 7520 East Main St., Lima, NY 14485  
 Phone: 585-624-1990, Fax: 585-624-2102

Web: www.lakelandsconcrete.com  
 E-mail: sales@lakelandsconcrete.com

Date: 12/15/10

DWG: TPMC100

RG&E Standard  
 PMH Switch Gear  
 75 to 1000 KVA



PLAN VIEW

Specifications:

Design Criteria: 5000 Psi @28 Days

Entrained Air: 5% - 9%

Reinforcement: BAR-ASTM A615 GR60

WWR-ASTM A185/A497 GR65

Notes:

\*Knockouts Are 7" x 28"

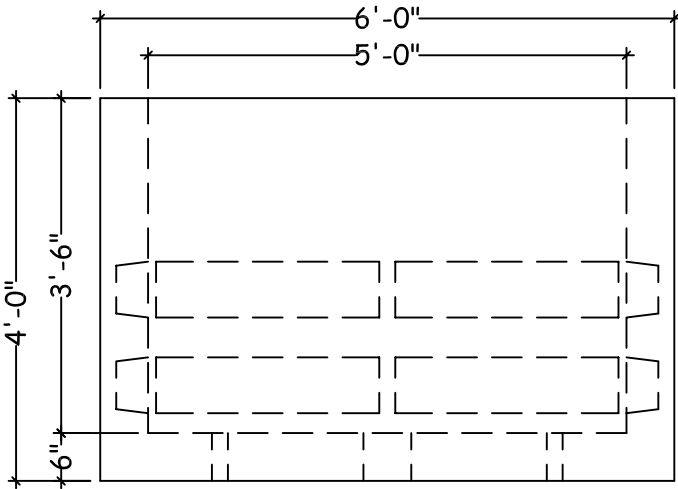
\*NYSEG SS#262-721-00

\*See Drawing TPMC100COV For

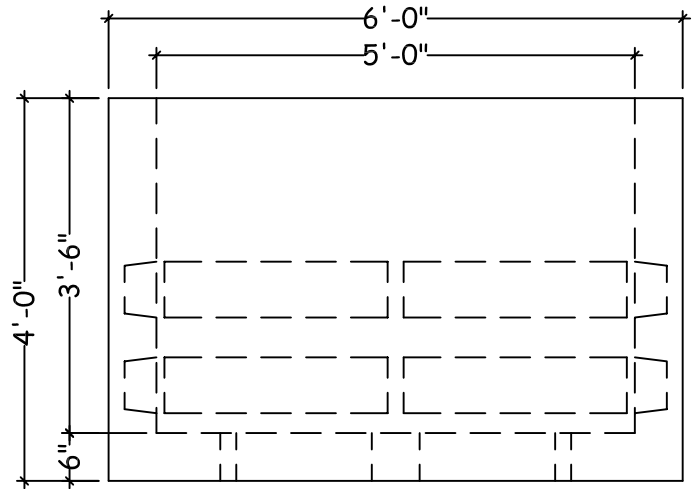
Rochester Gas And Electric Covers

6" Dia Sump Hole

1" Dia Ground Rod Opening



SECTION VIEW 'A'



SECTION VIEW 'B'

Weights:  
 Vault: 7500 lbs