



Lakelands Concrete Products, Inc.  
 7520 East Main St., Lima, NY 14485  
 Phone: 585-624-1990, Fax: 585-624-2102

Web: www.lakelandsconcrete.com  
 E-mail: sales@lakelandsconcrete.com

Date: 12/15/10

DWG: TPMC100Cov

**RG&E Standard**  
**Precast Transformer Pads**

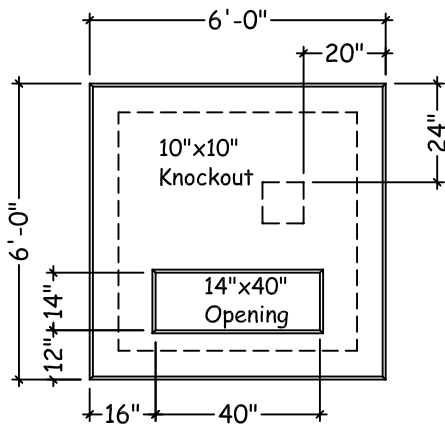
**Specifications:**

Design Criteria: 5000 Psi @28 Days

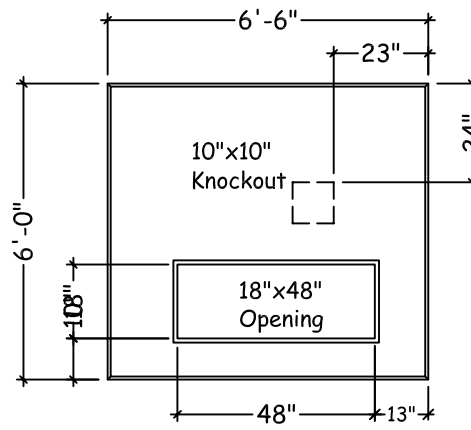
Entrained Air: 5% - 9%

Reinforcement: BAR-ASTM A615 GR60

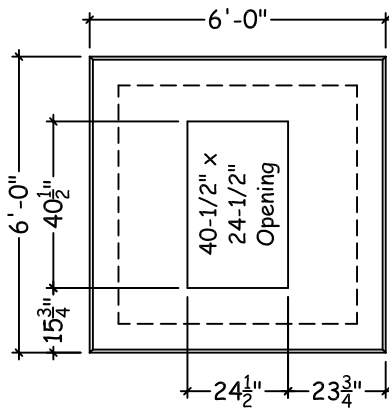
WWR-ASTM A185/A497 GR65



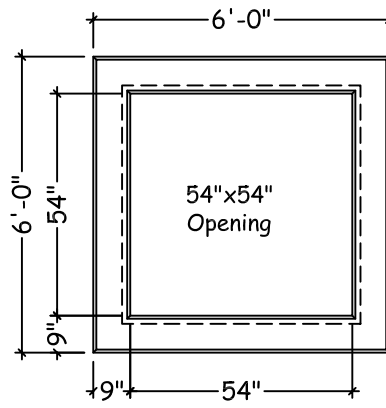
TPMC101 - 70-500 KVA



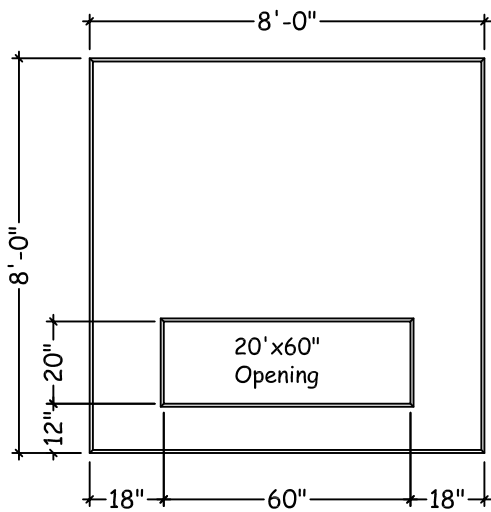
TPMC7278 - 750-1000 KVA



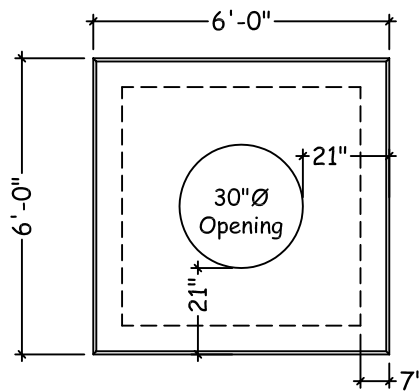
TPMC102M



TPMC102



TPMC9696 - 1000-2500 KVA



TPMC103

**Weights:**  
 Pads: Heaviest Pad  
 4200lbs