



7520 East Main Street
Lima, New York 14485
p: (585) 624-1990
f: (585) 624-2102
www.lakelandsconcrete.com



Continuing Education Opportunities Lakelands Concrete Products :

Lakelands is currently offering the following seminar which counts for 1.5 PDH credit. The program below may be scheduled at a time convenient to your team and held either onsite at Lakelands Concrete in conjunction with a plant tour or at your facility:

Precast Modular Block Retaining Walls

- The Stone Strong Story
- Concept
- Components
- Design Theory
- Construction Details
- Innovative Solutions





Precast Modular Block Retaining Walls: This program focuses specifically on the Stone Strong™ line of Gravity Retaining Walls; their application and their design. Stone Strong™ is quickly becoming the preferred block for Retainment, Erosion Control, Abutments, Wing Walls, and Water Retention able to reach heights of up to 12' on most job sites without tiebacks or geo-grid (soil conditions apply) **(1.5hrs)(PDH ONLY)**

Contact your representative today to schedule a presentation!

Stone Strong™ Gravity Retaining Block

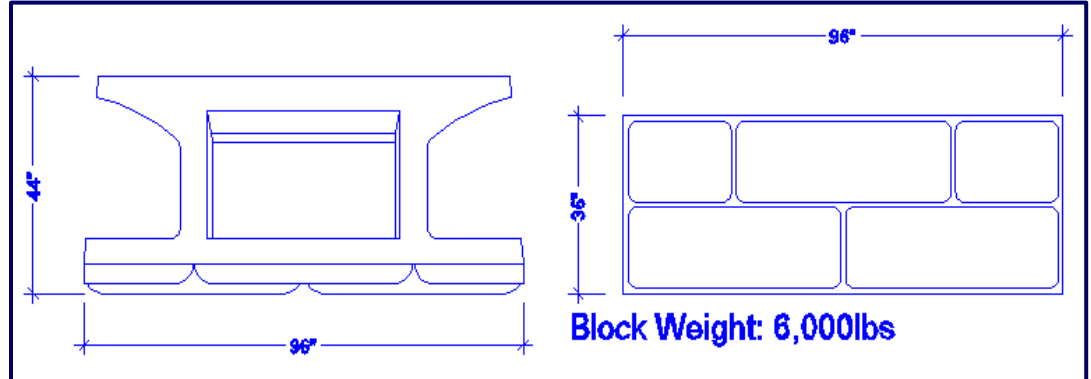
by Lakelands Concrete Products

7520 East Main Street
Lima, New York 14485

p: (585) 624-1990
f: (585) 624-2102



STONE®
STRONG
systems



Channel Walls



Retaining Walls



Wing/Head Walls



Bridge Abutments