



Lakelands Concrete Products, Inc.
 7520 East Main St., Lima, NY 14485
 Phone: 585-624-1990, Fax: 585-624-2102

Web: www.lakelandsconcrete.com
 E-mail: sales@lakelandsconcrete.com

Date: 9-25-07

DWG: UF8B

National Grid Transformer Pad And Curbing
 Installation Sheet For UF8B Pad With Curbing
 Three Phase Pad-Mounted Transformer
 15 KV 750-2500 kVA

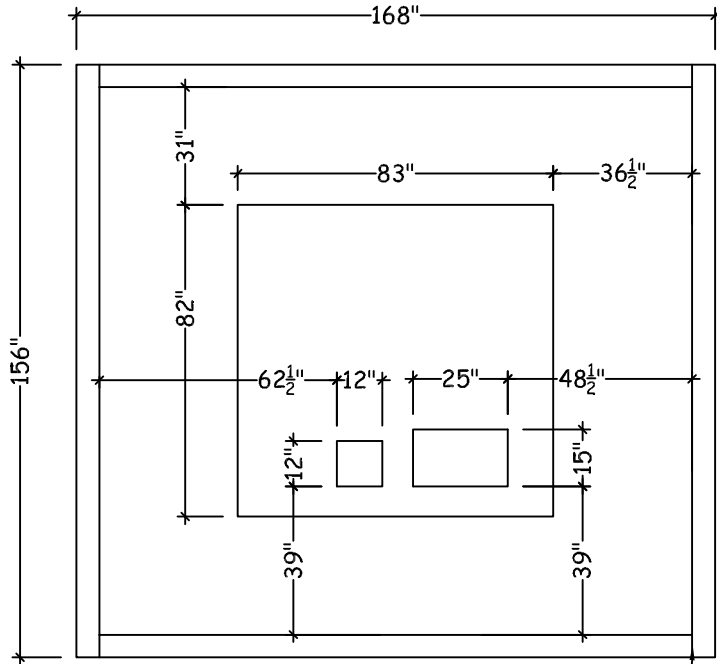
UF8B
 TPC213P
 TPC213I

National Grid

UF8B Transformer Pad And Curbing

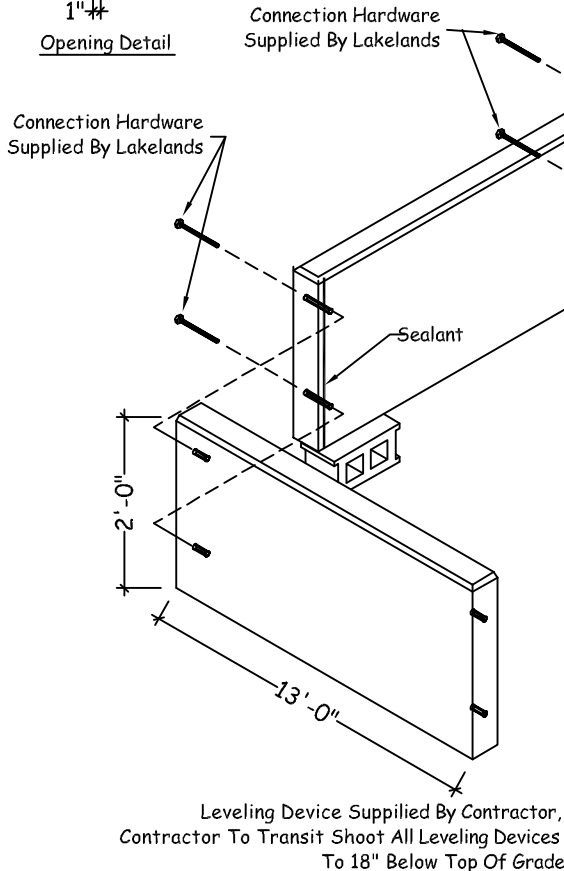
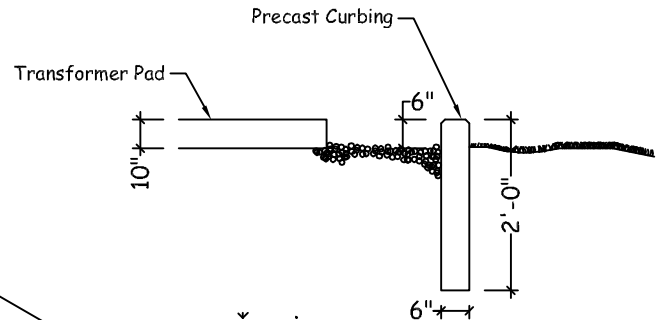
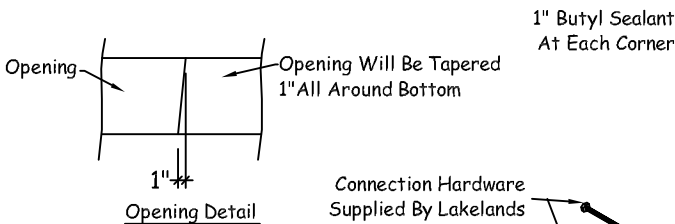
Curbing
2 At 13'-0" With Inserts
2 At 13'-0" With Sleeves

Weights
Pad: 5457 lbs
Curbing: 7800 lbs



**REAR OF LAKELANDS BOOM TRUCK
 MUST BE WITHIN 15'-0" OF FARTHEST
 CURBING BEING SET**

Excavate 18" Below Finished Grade And
 12" Bigger Than Outside Measurements
 Of Curbing. Set And Square Leveling
 Blocks And Shoot With Transit. Curbing
 Should Extend 6" Above Grade.



Leveling Device Supplied By Contractor,
 Contractor To Transit Shoot All Leveling Devices
 To 18" Below Top Of Grade