



Lakelands Concrete Products, Inc.
 7520 East Main St., Lima, NY 14485
 Phone: 585-624-1990, Fax: 585-624-2102

Web: www.lakelandsconcrete.com
 E-mail: sales@lakelandsconcrete.com

Date: 9-25-07

DWG: UF8C

National Grid Transformer Pad And Curbing
 Installation Sheet For UF8C Pad With Curbing
 Three Phase Pad-Mounted Transformer
 25 & 35 KV 75-300 kVA

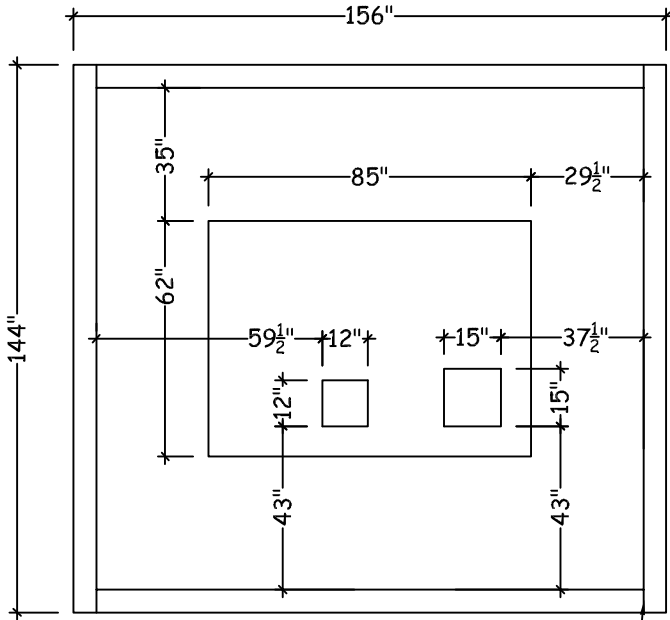
National Grid

UF8C Transformer Pad And Curbing

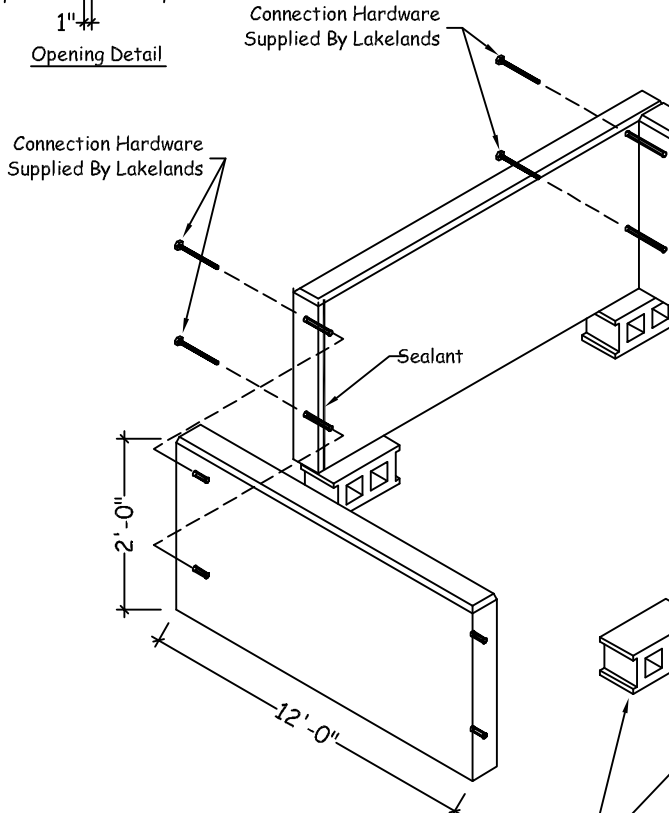
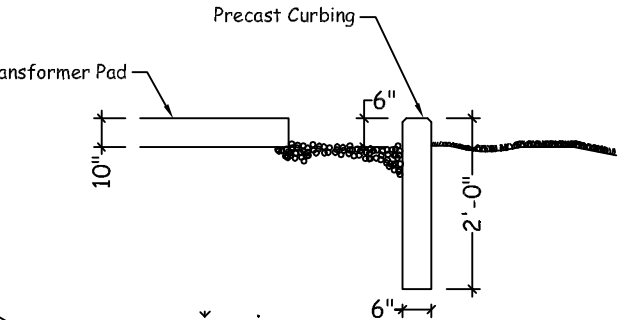
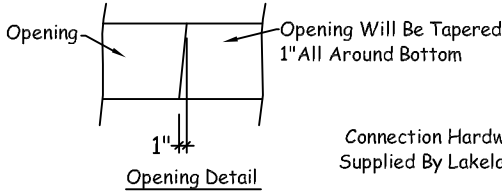
UF8C
 TPC212I
 TPC212P

Curbing
2 At 12'-0" With Inserts
2 At 12'-0" With Sleeves

Weights
Pad: 4215 lbs
Curbing: 7200 lbs



1" Butyl Sealant
 At Each Corner



Leveling Device Supplied By Contractor,
 Contractor To Transit Shoot All Leveling Devices
 To 18" Below Top Of Grade

**REAR OF LAKELANDS BOOM TRUCK
 MUST BE WITHIN 15'-0" OF FARTHEST
 CURBING BEING SET**

Excavate 18" Below Finished Grade And
 12" Bigger Than Outside Measurements
 Of Curbing. Set And Square Leveling
 Blocks And Shoot With Transit. Curbing
 Should Extend 6" Above Grade.