



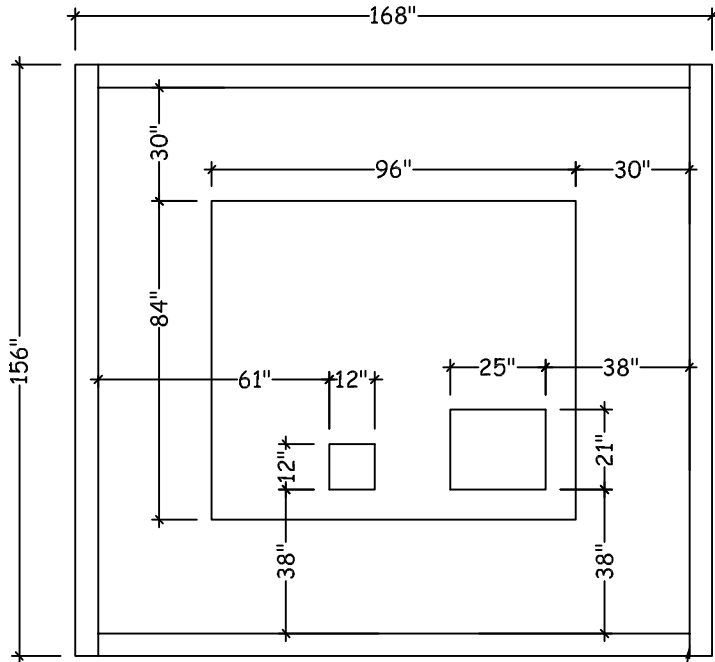
Lakelands Concrete Products, Inc.  
 7520 East Main St., Lima, NY 14485  
 Phone: 585-624-1990, Fax: 585-624-2102

Web: www.lakelandsconcrete.com  
 E-mail: sales@lakelandsconcrete.com

Date: 9-25-07

DWG: UF8D

National Grid Transformer Pad And Curbing  
 Installation Sheet For UF8D Pad With Curbing  
 Three Phase Pad-Mounted Transformer  
 25 & 35 KV 500-2500 kVA



## National Grid

UF8D Transformer Pad And Curbing

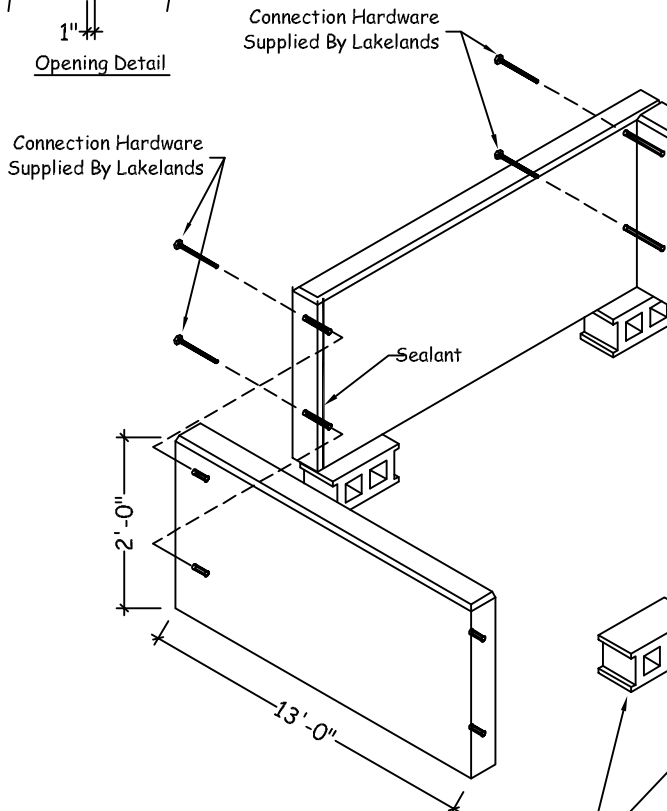
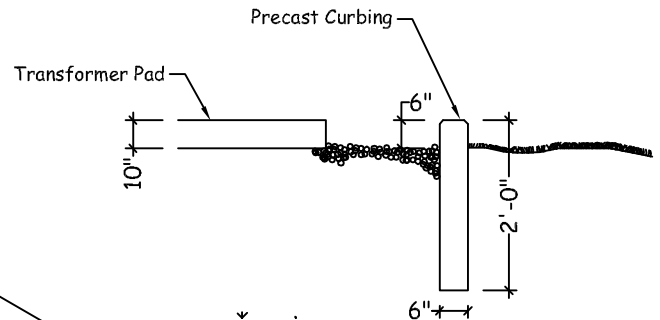
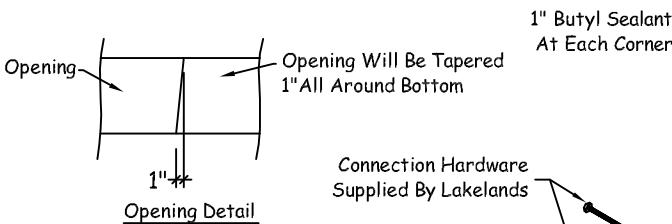
UF8D  
 TPC213I  
 TPC213P

Curbing
2 At 13'-0" With Inserts
2 At 13'-0" With Sleeves

Weights
Pad: 6419 lbs
Curbing: 7800 lbs

**REAR OF LAKELANDS BOOM TRUCK  
 MUST BE WITHIN 15'-0" OF FARTHEST  
 CURBING BEING SET**

Excavate 18" Below Finished Grade And  
 12" Bigger Than Outside Measurements  
 Of Curbing. Set And Square Leveling  
 Blocks And Shoot With Transit. Curbing  
 Should Extend 6" Above Grade.



Leveling Device Supplied By Contractor,  
 Contractor To Transit Shoot All Leveling Devices  
 To 18" Below Top Of Grade