



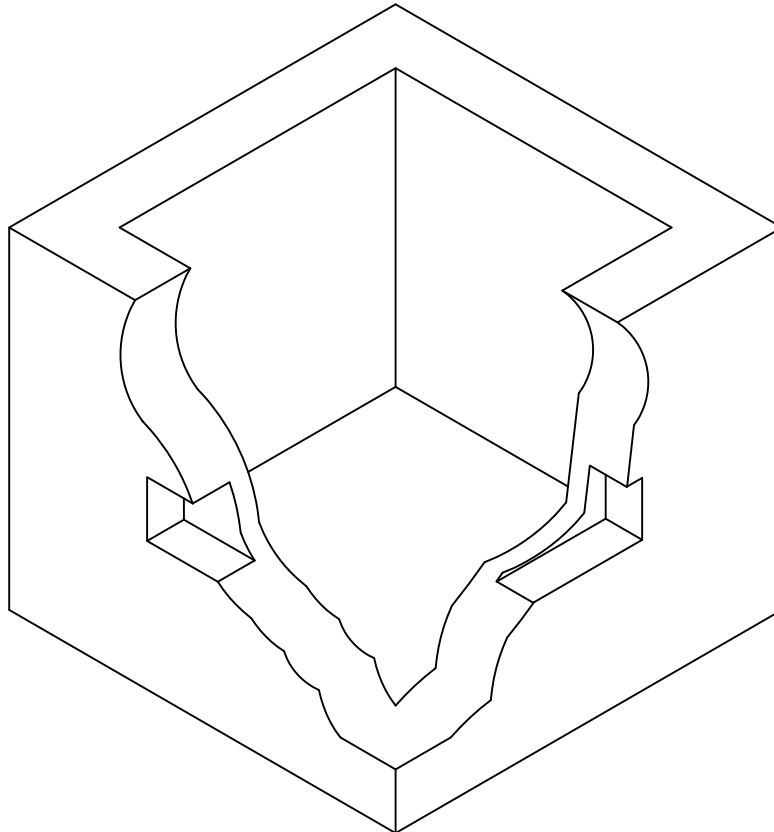
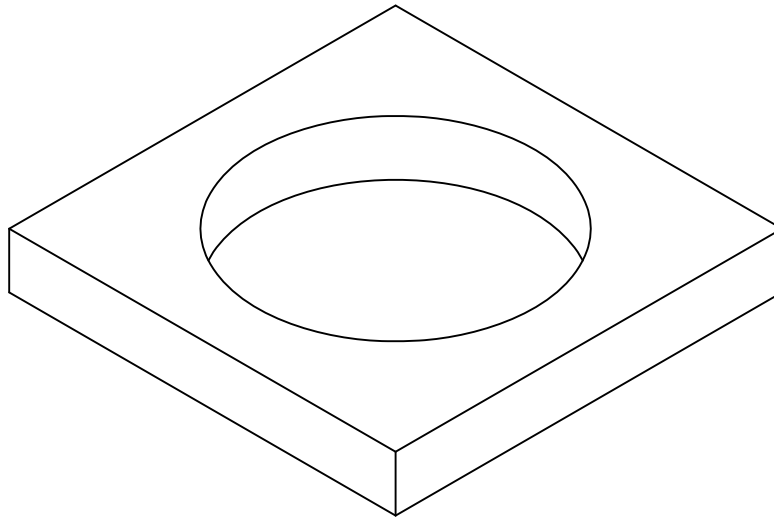
Lakelands Concrete Products, Inc.
7520 East Main St., Lima, NY 14485
Phone: 585-624-1990, Fax: 585-624-2102

Web: www.lakelandsconcrete.com
E-mail: sales@lakelandsconcrete.com

Date: 1/17/18

DWG: PB303030-C30-CAT

Stock Pullbox
30"x30"x30"





Lakelands Concrete Products, Inc.
 7520 East Main St., Lima, NY 14485
 Phone: 585-624-1990, Fax: 585-624-2102

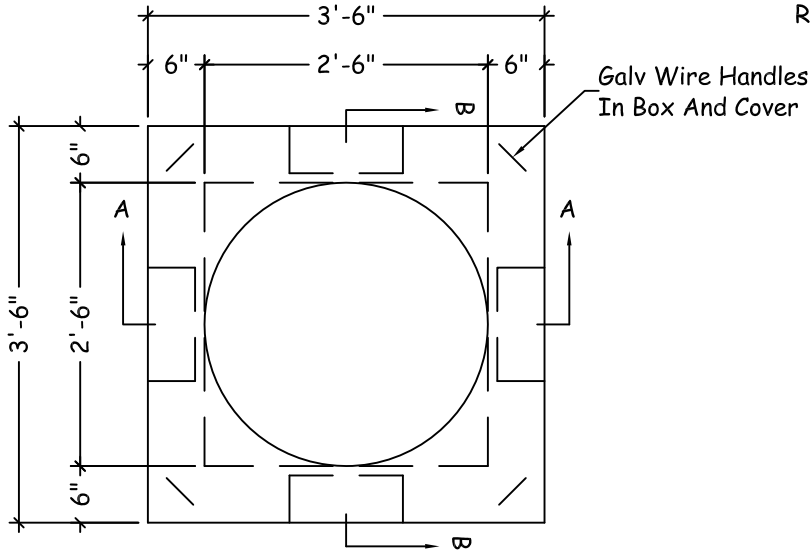
Web: www.lakelandsconcrete.com
 E-mail: sales@lakelandsconcrete.com

Date: 1/17/18

DWG: PB303030-C30-CAT

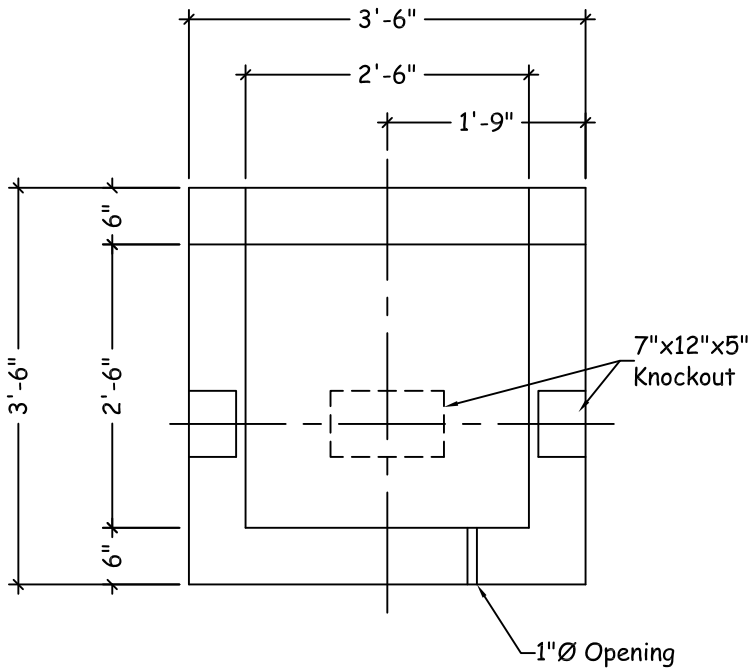
Stock Pullbox
 30"x30"x30"

Specifications: PB303030
 Design Criteria: 5000 Psi @28 Days PB3030C30
 Entrained Air: 5% - 9%
 Design Loading: AASHTO HS20-44 With
 Less Than 2'-0" Earth Cover
 Reinforcement: BAR-ASTM A615 GR60
 WWR-ASTM A185/A497 GR65

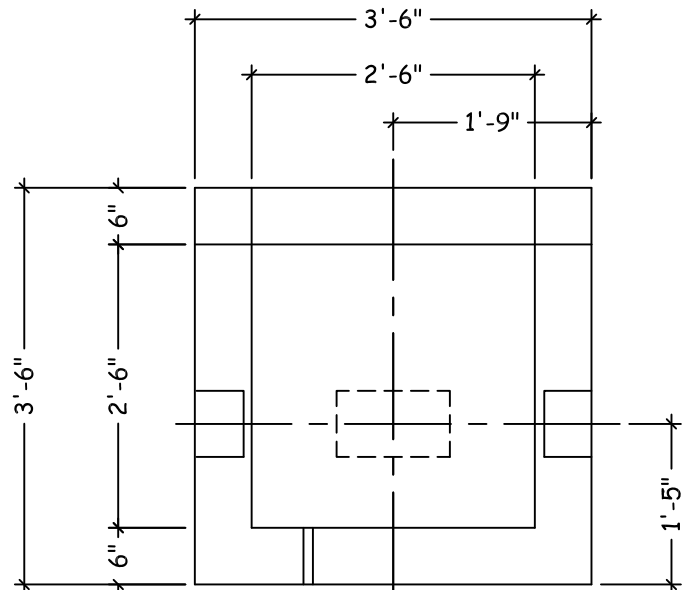


Plan View

Notes:
 *Concrete Cover Available With Various Size
 Openings
 *Various Size Knockouts Or Openings As
 Required
 *Cast Iron Frame And Covers Available



Section View 'A'



Section View 'B'

Weights:
 Box: 2925 lbs
 Cover: 675 lbs