



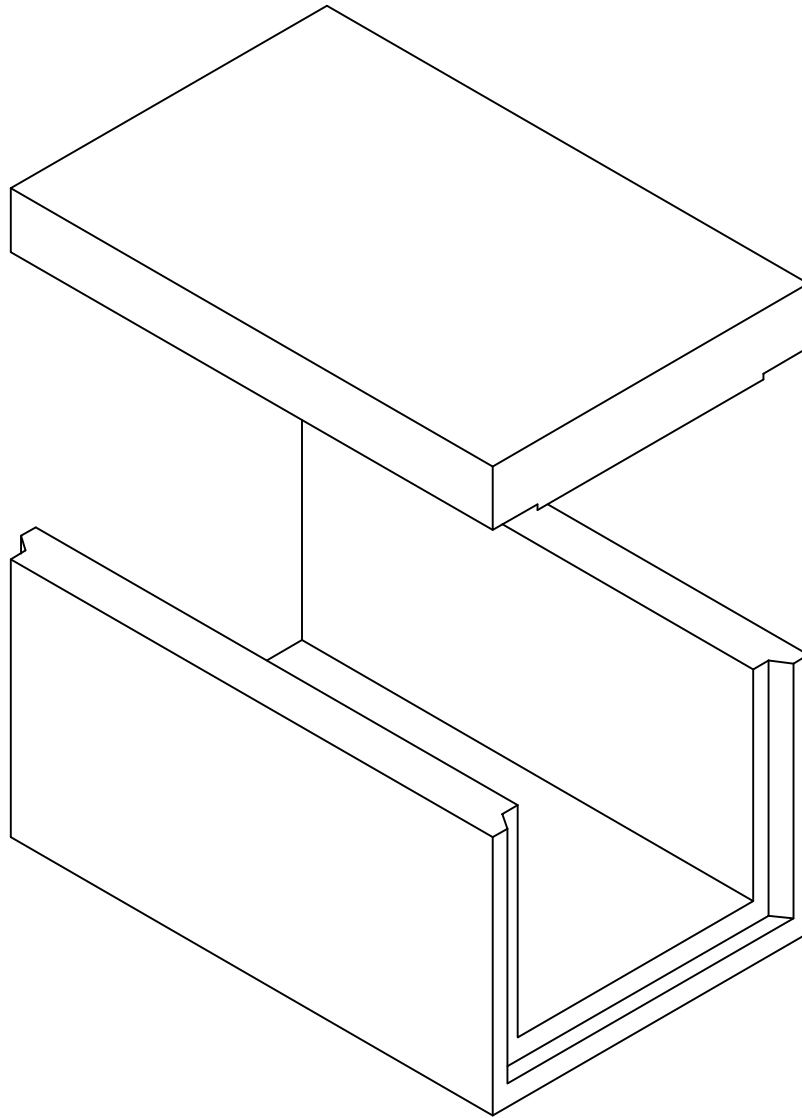
Lakelands Concrete Products, Inc.
7520 East Main St., Lima, NY 14485
Phone: 585-624-1990, Fax: 585-624-2102

Web: www.lakelandsconcrete.com
E-mail: sales@lakelandsconcrete.com

Date: 7/8/11

DWG: PT-CUSTOM

Custom Precast Trench





Lakelands Concrete Products, Inc.
 7520 East Main St., Lima, NY 14485
 Phone: 585-624-1990, Fax: 585-624-2102

Web: www.lakelandsconcrete.com
 E-mail: sales@lakelandsconcrete.com

Date: 7/8/11

DWG: PT-CUSTOM

Custom Precast Trench

Specifications:

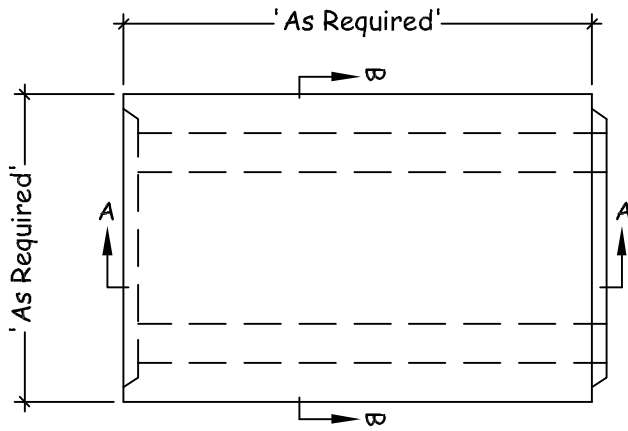
Design Criteria: 5000 Psi @28 Days

Entrained Air: 5% - 9%

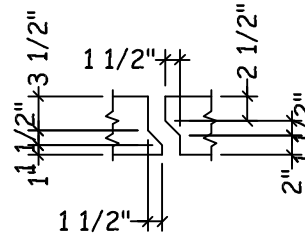
Reinforcement: BAR-ASTM A615 GR60
 WWR-ASTM A185/A497 GR65

Notes:

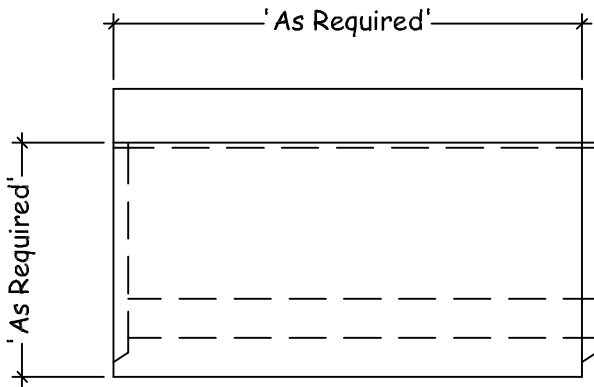
*Heavy Duty Loading Available



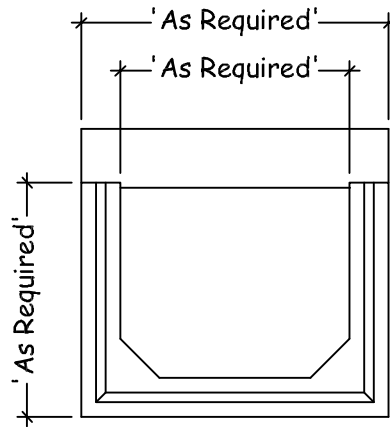
PLAN VIEW



JOINT DETAIL



SECTION VIEW 'A'



SECTION VIEW 'B'