



7520 EAST MAIN STREET, LIMA NY 14485
 PH: 585-624-1990 - FAX: 585-624-2102
 WEB: WWW.LAKELANDSCONCRETE.COM
 E-MAIL: SALES@LAKELANDSCONCRETE.COM

DATE: 10/15/2020 DWG: CB243236

CATCH BASIN
 2'-0" x 2'-8" x 3'-0"

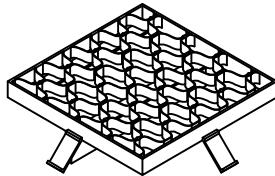
DESIGN CRITERIA:

- CONCRETE: 5000 PSI @ 28 DAYS
- ENTRAINED AIR: 5% - 9%
- DESIGN LOADING: AASHTO HS20-44 WITH LESS THAN 2'-0" EARTH COVER
- REINFORCEMENT: BAR-ASTM A615 GR60
 WWR-ASTM A185

SPECIFICATIONS:

1. CUSTOM KNOCKOUTS OR OPENINGS ARE AVAILABLE UPON REQUEST
2. FIELD/FRAME ADJUSTMENT SIZED PER CUSTOMERS REQUEST
3. BITUMASTIC COATING AVAILABLE IF REQUIRED
4. BOOTS/LINK SEALS PROVIDED IF REQUIRED (LAKELANDS MUST BE NOTIFIED)
5. SUMPS AS NEEDED BY CUSTOMERS REQUEST
6. CUSTOMER TO GROUT ANY KEYWAYS AS REQUIRED
7. CUSTOMER IS RESPONSIBLE OF THE FRAME INSTALLATION IN FIELD (IF REQUIRED)

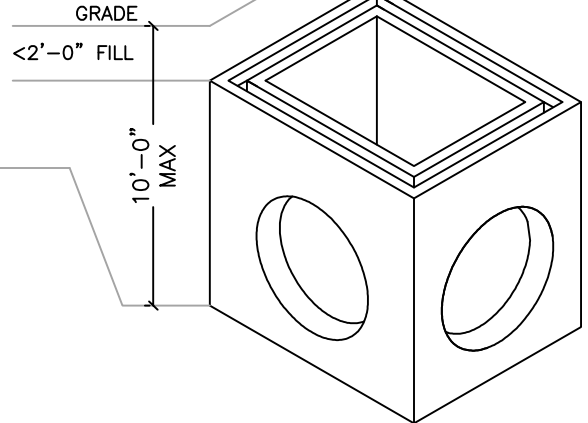
****MAXIMUM DEPTH TO BOTTOM OF CATCH BASIN = 10'-0" BELOW GRADE****



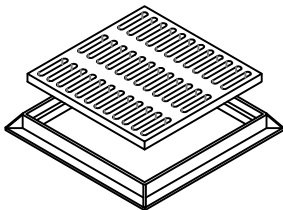
CAST-IN COLLAR FRAME AND GRATE

CAST-IN FRAME & GRATE
 MODEL NO: _____

NOT NEEDED



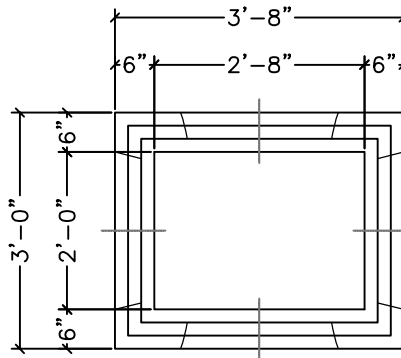
ISOMETRIC VIEW



FRAME & GRATE

FRAME & GRATE
 MODEL NO: _____

NOT NEEDED



PLAN VIEW

BITUMASTIC COATING

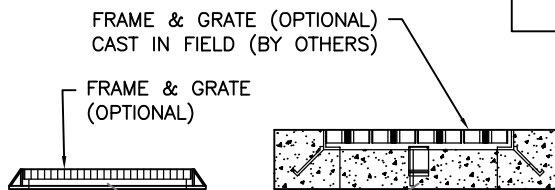
EXTERIOR

INTERIOR

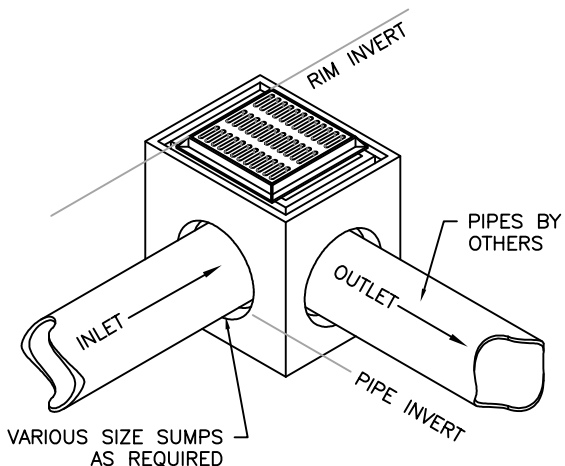
EXTERIOR AND INTERIOR

NOT NEEDED

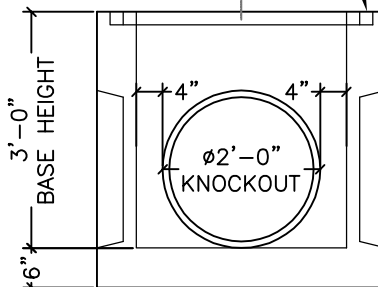
CATCH BASIN BASE HEIGHT	WEIGHT (LBS)
36"	3377



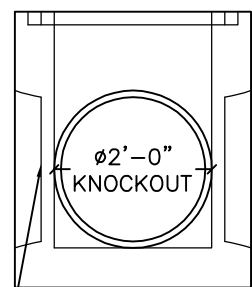
2" DEEP x 2" WIDE CONSTRUCTION JOINTS TYPICAL ALL WALLS



IN-FIELD VIEW



ELEVATION VIEW



SIDE ELEVATION VIEW

KNOCKOUT (TYP) ALL (4) SIDES