



7520 EAST MAIN STREET, LIMA NY 14485
 PH: 585-624-1990 - FAX: 585-624-2102
 WEB: WWW.LAKELANDSCONCRETE.COM
 E-MAIL: SALES@LAKELANDSCONCRETE.COM

DATE: 10/15/2020 DWG: CB303030

CATCH BASIN
 2'-6" x 2'-6" x 2'-6"

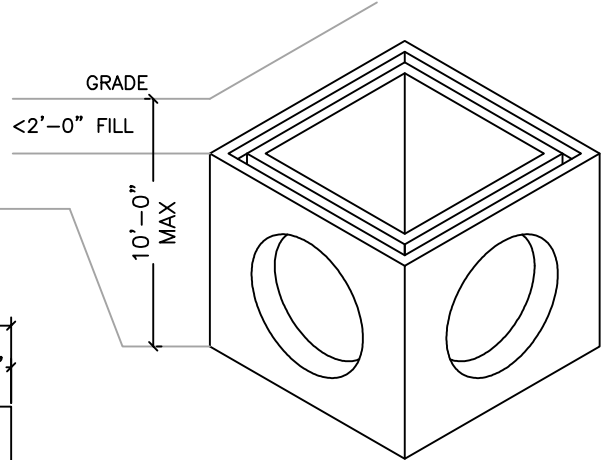
DESIGN CRITERIA:

- CONCRETE: 5000 PSI @ 28 DAYS
- ENTRAINED AIR: 5% - 9%
- DESIGN LOADING: AASHTO HS20-44 WITH LESS THAN 2'-0" EARTH COVER
- REINFORCEMENT: BAR-ASTM A615 GR60
 WWR-ASTM A185

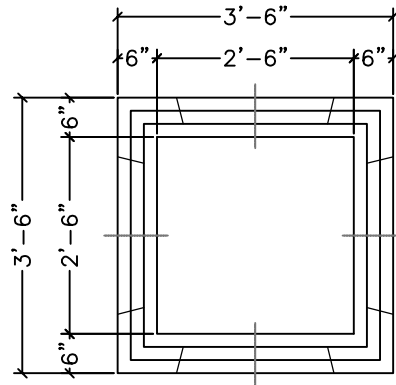
SPECIFICATIONS:

1. CUSTOM KNOCKOUTS OR OPENINGS ARE AVAILABLE UPON REQUEST
2. FIELD/FRAME ADJUSTMENT SIZED PER CUSTOMERS REQUEST
3. BITUMASTIC COATING AVAILABLE IF REQUIRED
4. BOOTS/LINK SEALS PROVIDED IF REQUIRED (LAKELANDS MUST BE NOTIFIED)
5. SUMPS AS NEEDED BY CUSTOMERS REQUEST
6. CUSTOMER TO GROUT ANY KEYWAYS AS REQUIRED
7. CUSTOMER IS RESPONSIBLE OF THE FRAME INSTALLATION IN FIELD (IF REQUIRED)

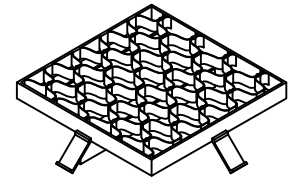
****MAXIMUM DEPTH TO BOTTOM OF CATCH BASIN = 10'-0" BELOW GRADE****



ISOMETRIC VIEW

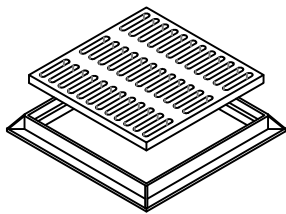


PLAN VIEW



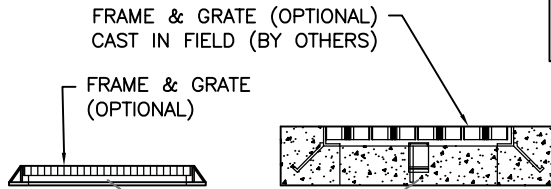
CAST-IN COLLAR FRAME AND GRATE

CAST-IN FRAME & GRATE
 MODEL NO: _____
 NOT NEEDED



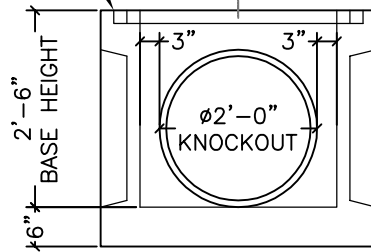
FRAME & GRATE

FRAME & GRATE
 MODEL NO: _____
 NOT NEEDED

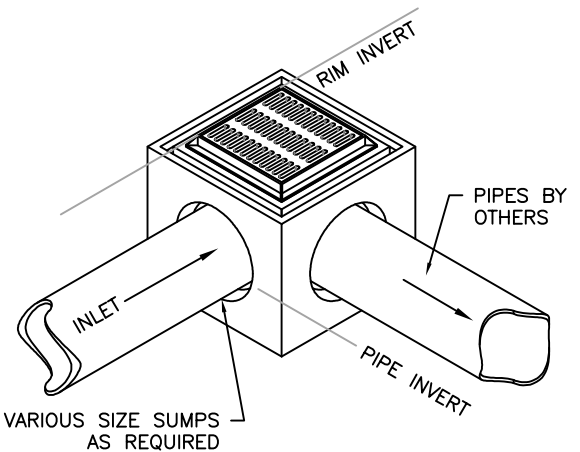


2" DEEP x 2" WIDE
 CONSTRUCTION JOINTS
 TYPICAL ALL WALLS

KNOCKOUT (TYP)
 ALL (4) SIDES



ELEVATION VIEW



IN-FIELD VIEW

BITUMASTIC COATING

EXTERIOR
 INTERIOR
 EXTERIOR AND INTERIOR
 NOT NEEDED

CATCH BASIN BASE HEIGHT	WEIGHT (LBS)
30"	3141