

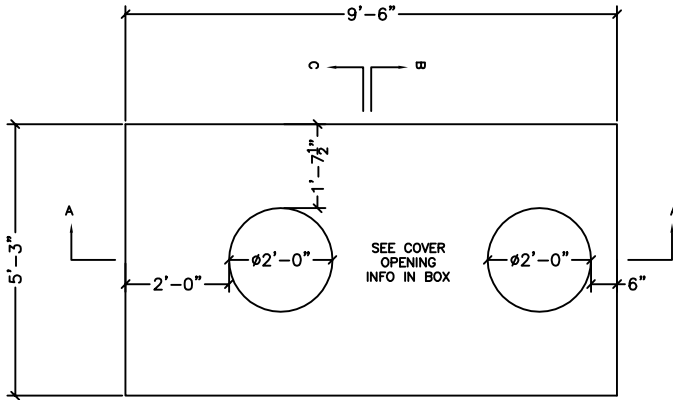
GREASE TRAP 1050 GALLON

DESIGN CRITERIA:

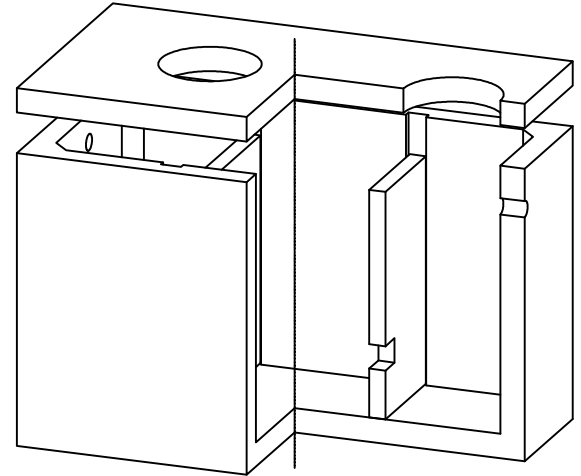
CONCRETE: 5000 PSI @ 28 DAYS
 ENTRAINED AIR: 5% - 9%
 DESIGN LOADING: AASHTO HS20-44 WITH
 LESS THAN 2'-0" EARTH COVER
 REINFORCEMENT: BAR-ASTM A615 GR60
 WWR-ASTM A185/A497 GR65

SPECIFICATIONS:

1. CUSTOM OPENINGS ARE AVAILABLE UPON CUSTOMERS REQUEST
2. LOWERING THE HEIGHT OF THE OUTLET POLYLOCK OPENING WILL DECREASE THE CAPACITY OF THE GREASE TRAP
3. CAST IRON FRAME AND GRATES ARE AVAILABLE FOR PURCHASE

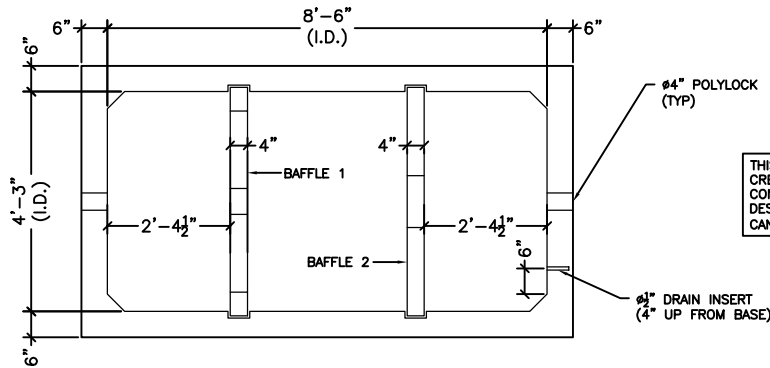


PLAN VIEW
(COVER ONLY)



ISOMETRIC VIEW

- AS SHOWN
- (3) #24" OPENINGS IN BETWEEN BAFFLES AND BAFFLE AND WALL



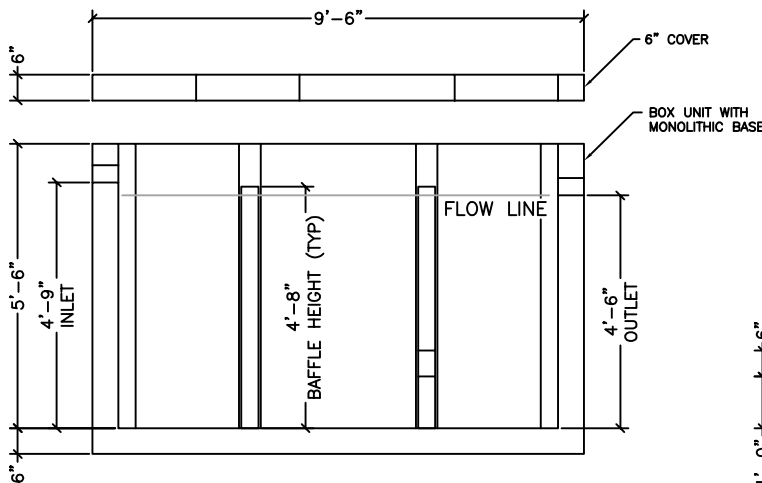
PLAN VIEW
(COVER REMOVED)



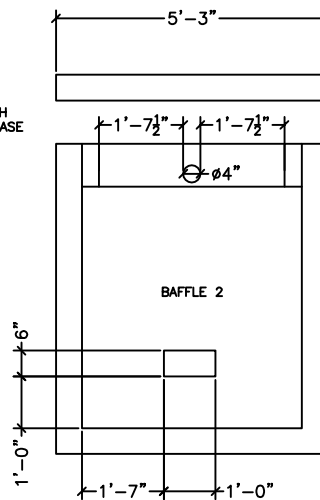
POLY-LOCK SEAL
(CAST-IN)

THIS DEVICE ELIMINATES THE USE OF GROUT BY CREATING ITS OWN WATERTIGHT SEAL. CONTRACTORS CAN EASILY TRIM THE SEAL TO THE DESIRED PIPE SIZE AND THEN INSERT THE PIPE. IT CAN BE USED FOR 2", 3", OR 4" PIPE.

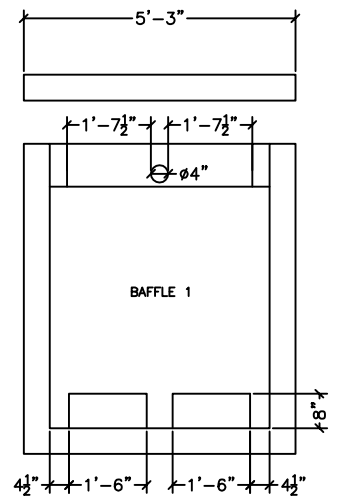
COMPONENT	WEIGHT (LBS)
COVER	3269
BAFFLE 1	931
BAFFLE 2	1006
BASE	15083
TOTAL	20289



ELEVATION VIEW
(SECTION A-A)



ELEVATION VIEW
(SECTION B-B)



ELEVATION VIEW
(SECTION C-C)