



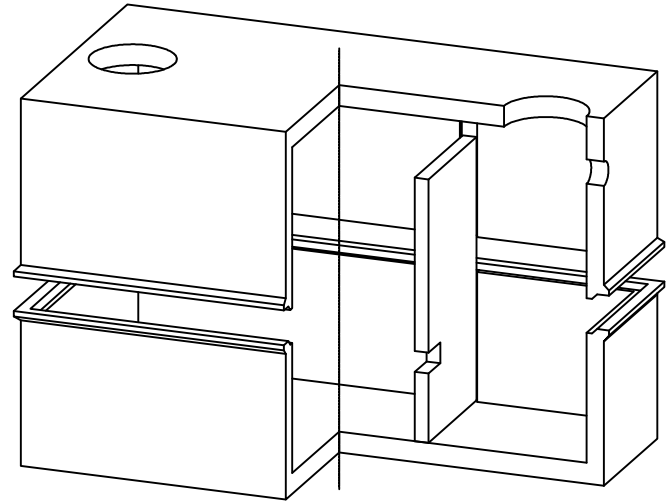
7520 EAST MAIN STREET, LIMA NY 14485  
 PH: 585-624-1990 - FAX: 585-624-2102  
 WEB: WWW.LAKELANDSCONCRETE.COM  
 E-MAIL: SALES@LAKELANDSCONCRETE.COM

DATE: 10/29/2020 DWG: GT3200

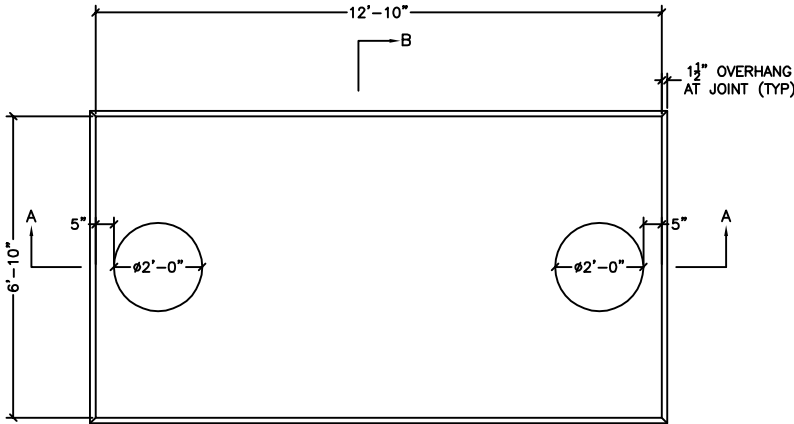
GREASE TRAP  
 3200 GALLON

**DESIGN CRITERIA:**

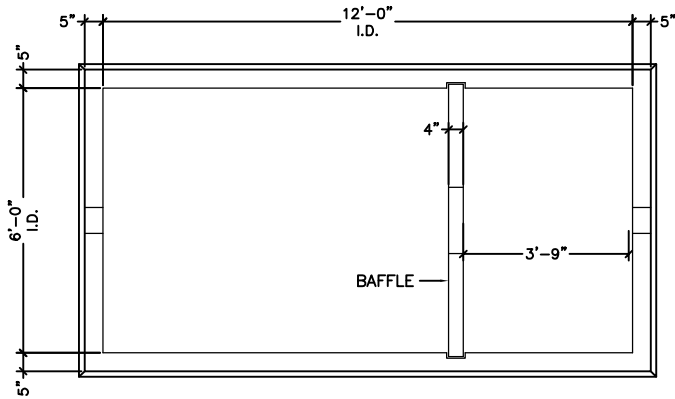
CONCRETE: 5000 PSI @ 28 DAYS  
 ENTRAINED AIR: 5% - 9%  
 DESIGN LOADING: AASHTO HS20-44 WITH  
 LESS THAN 2'-0" EARTH COVER  
 REINFORCEMENT: BAR-ASTM A615 GR60  
 WWR-ASTM A185/A497 GR65



ISOMETRIC VIEW



PLAN VIEW  
 (COVER ONLY)

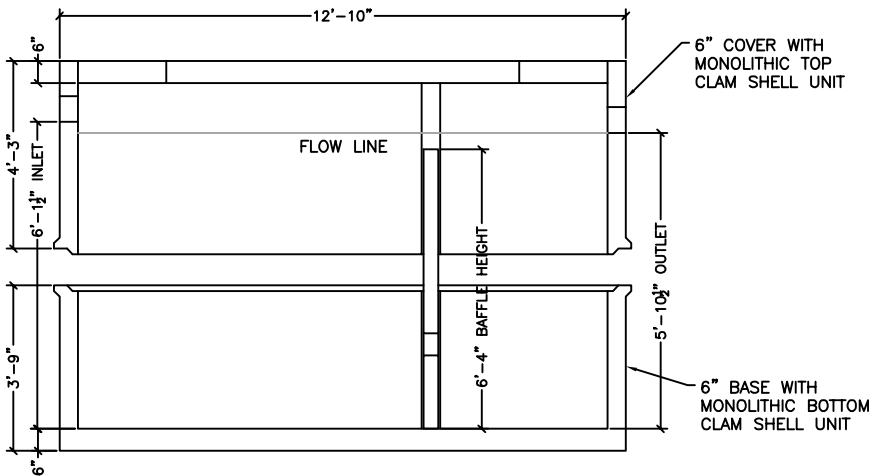


PLAN VIEW  
 (COVER REMOVED)

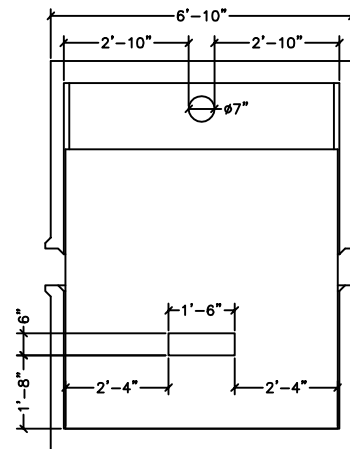
**SPECIFICATIONS:**

1. CUSTOM OPENINGS ARE AVAILABLE UPON CUSTOMERS REQUEST
2. LOWERING THE HEIGHT OF THE OUTLET OPENING WILL DECREASE THE CAPACITY OF THE GREASE TRAP
3. CAST IRON FRAME AND GRATES ARE AVAILABLE FOR PURCHASE

COMPONENT	WEIGHT (LBS)
COVER	8109
BASE	7115
RISER 1	6748
RISER 2	6735
BAFFLE 1	1647
BAFFLE 2	1710
TOTAL	32064



ELEVATION VIEW  
 (SECTION A-A)



ELEVATION VIEW  
 (SECTION B-B)